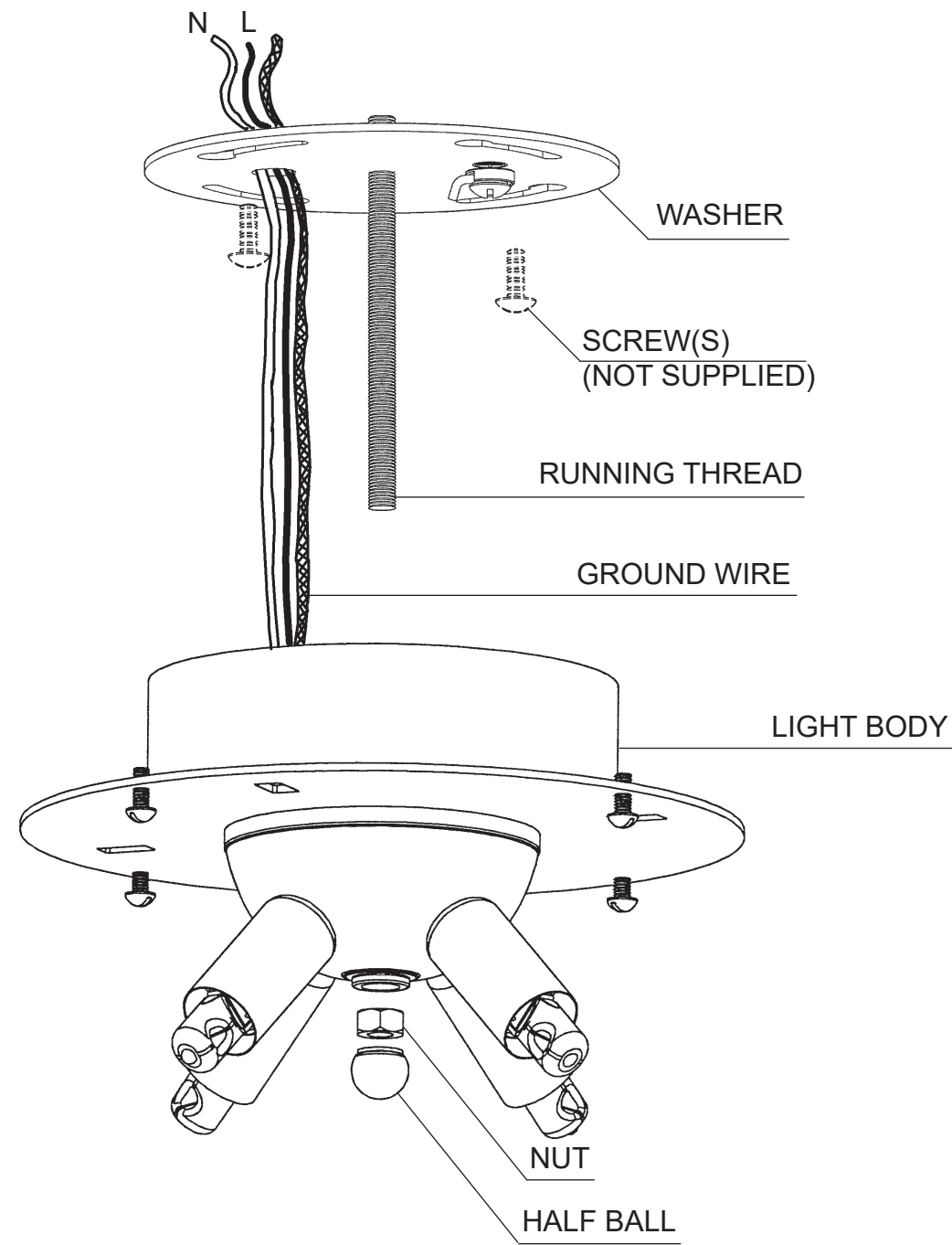
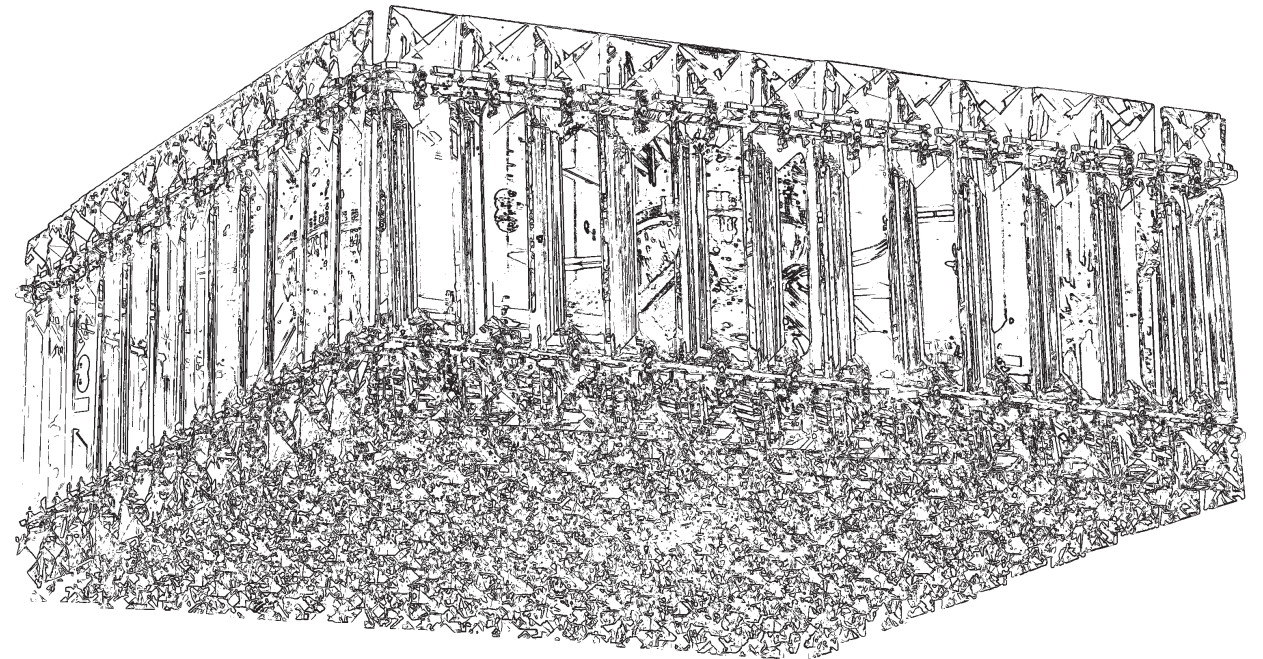


**Instructions for electrician  
STEPS 2 - 6**



- 2** MAKE SURE POWER IS DISCONNECTED BEFORE INSTALLING OR MAINTAINING THIS FIXTURE.
- 3** Attach washer to ceiling with screws (not supplied).
- 4** Connect wires. Fixture **MUST** be grounded. If in any doubt consult a qualified electrician.
- 5** Slide light body over running thread and secure in place with nut and half ball.
- 6** Insert bulbs into sockets and test for proper wiring before hanging trim from fixture.

**QUANTUM 21240 TRIM DIAGRAM**



4 Lights  
Length: 12"  
Width: 12"  
Height: 6"  
Weight: 12lbs.

**T**HIS DESIGN IS THE PROPRIETARY TRADE DRESS/TRADemark OF W SCHONBEK LLC.



**See diagram on back page  
Follow steps in exact order  
Save this trim diagram for future reference**

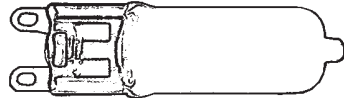
**1** **IMPORTANT**  
*Person who opens carton should record the following information for future service.*

CODE #	_____	Four-digit number on outside of carton.
PACKER #	_____	See crystal package label.
ORDER #	_____	See crystal package label.



# Instructions for crystal trimming

## STEPS 7 - 9



4 - G9 JCD  
 (Supplied - Schonbek #JCD-G9-40)  
 40 Watts Max  
 Install bulbs and be sure to test  
 fixture BEFORE assembly.  
 MIN 75°C SUPPLY  
 CONDUCTORS



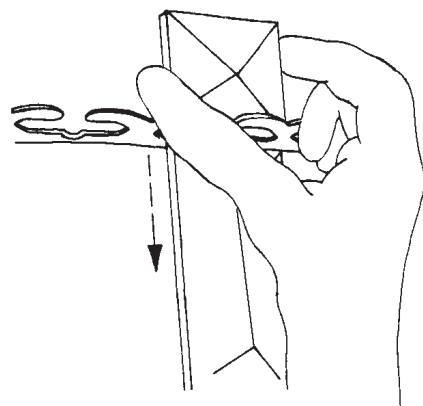
To avoid damaging, do  
 NOT touch bulb with bare  
 hands. Install bulb with  
 clean cloth or tissue.

**7** Place slots in top plate over screws on the light body. Turn fixture slightly until it is securely in place. Tighten the (4) screws to lock the top plate in place.

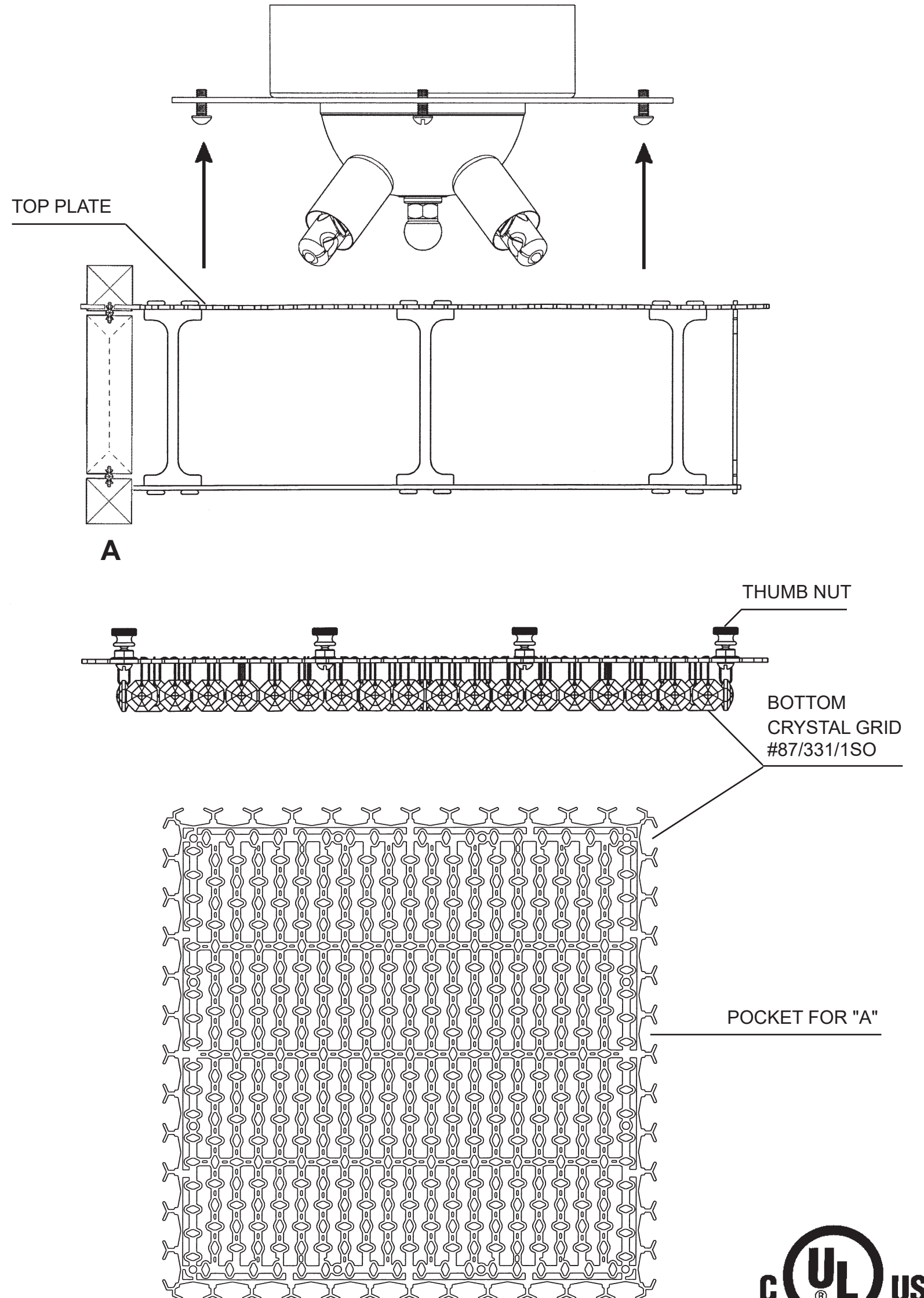
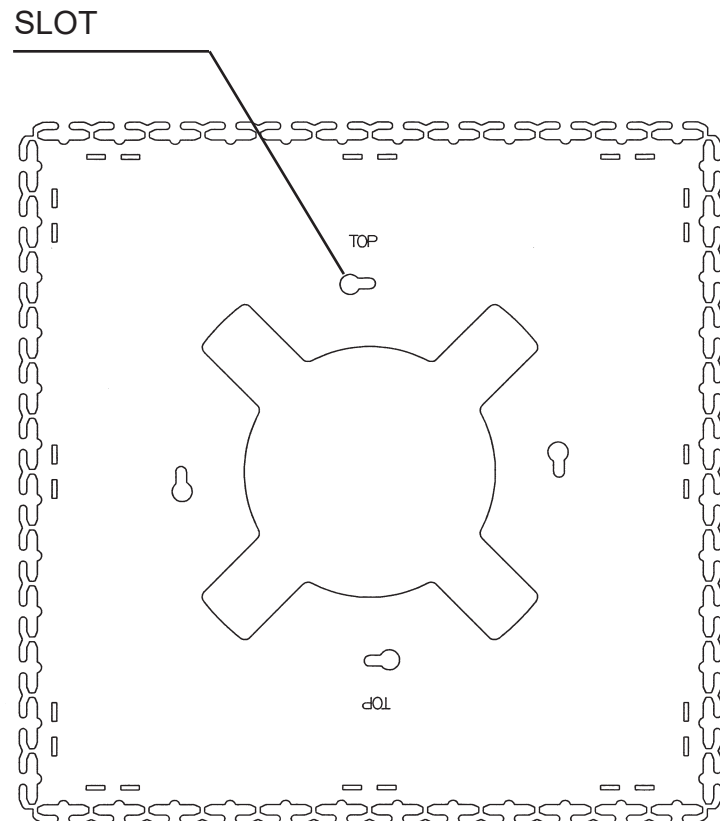
**8** Install bottom crystal grid with twelve thumb nuts (already screwed onto grid) to bottom of the chandelier.

**9** Hold chain "A" by the top square crystal. (NOTE: Flat side of large crystals face out and chains are also symmetrical so either end will work!) Insert bottom square crystal into the pocket of bottom crystal grid. Then position the top connector (between the top two crystals) into the top plate pocket opening directly above the bottom crystal grid pocket. (Diagram #1) Lower the chain until the top square stone seats itself into the top plate pocket. When the chain is installed correctly, it will be held in place by both top and bottom pockets.

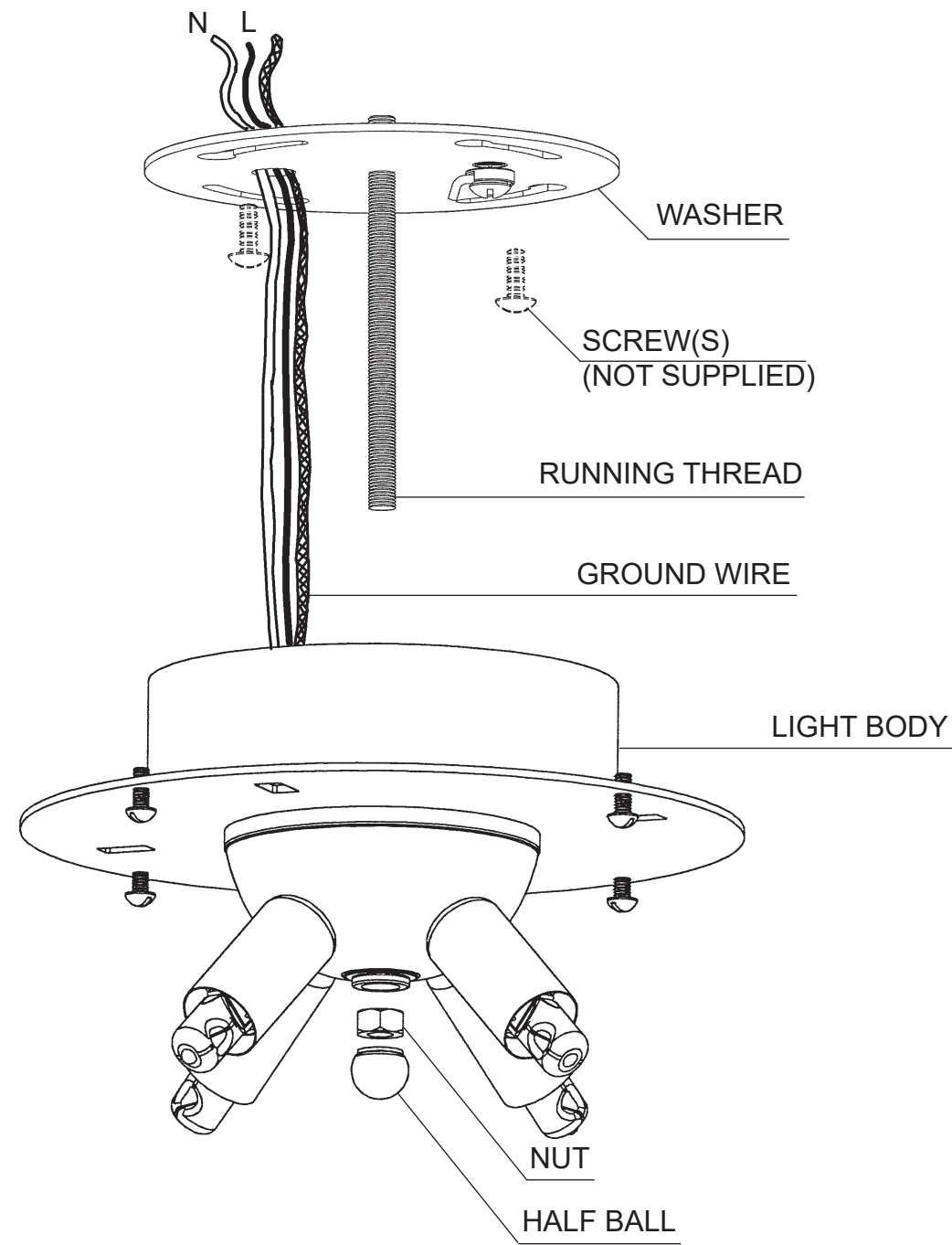
DIAGRAM #1



### TOP PLATE

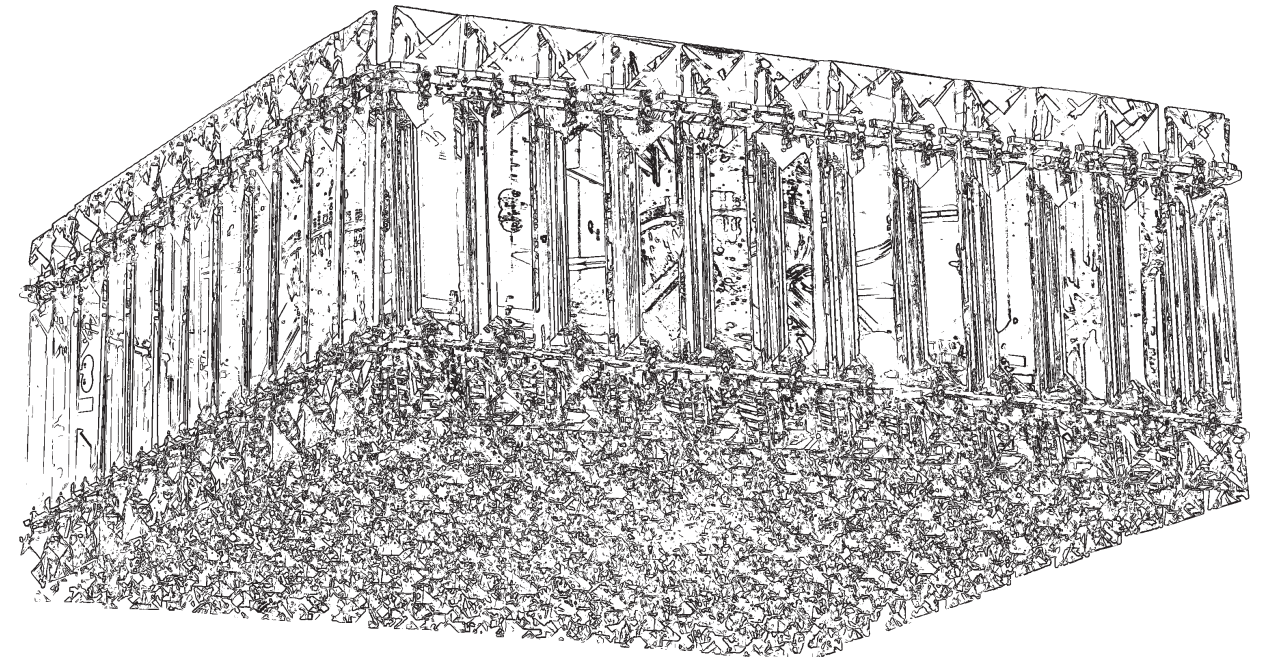


**Instructions for electrician  
STEPS 2 - 6**



- 2** MAKE SURE POWER IS DISCONNECTED BEFORE INSTALLING OR MAINTAINING THIS FIXTURE.
- 3** Attach washer to ceiling with screws (not supplied).
- 4** Connect wires. Fixture **MUST** be grounded. If in any doubt consult a qualified electrician.
- 5** Slide light body over running thread and secure in place with nut and half ball.
- 6** Insert bulbs into sockets and test for proper wiring before hanging trim from fixture.

**QUANTUM 2124R TRIM DIAGRAM**



4 Lights  
Length: 12"  
Width: 12"  
Height: 6"  
Weight: 12lbs.

**T**HIS DESIGN IS THE PROPRIETARY TRADE DRESS/TRADemark OF W SCHONBEK LLC.



**See diagram on back page  
Follow steps in exact order  
Save this trim diagram for future reference**

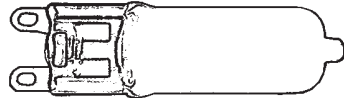
**1** **IMPORTANT**  
*Person who opens carton should record the following information for future service.*

CODE #	_____	Four-digit number on outside of carton.
PACKER #	_____	See crystal package label.
ORDER #	_____	See crystal package label.



# Instructions for crystal trimming

## STEPS 7 - 9



4 - G9 JCD  
 (Supplied - Schonbek #JCD-G9-40)  
 40 Watts Max  
 Install bulbs and be sure to test  
 fixture BEFORE assembly.  
 MIN 75°C SUPPLY  
 CONDUCTORS

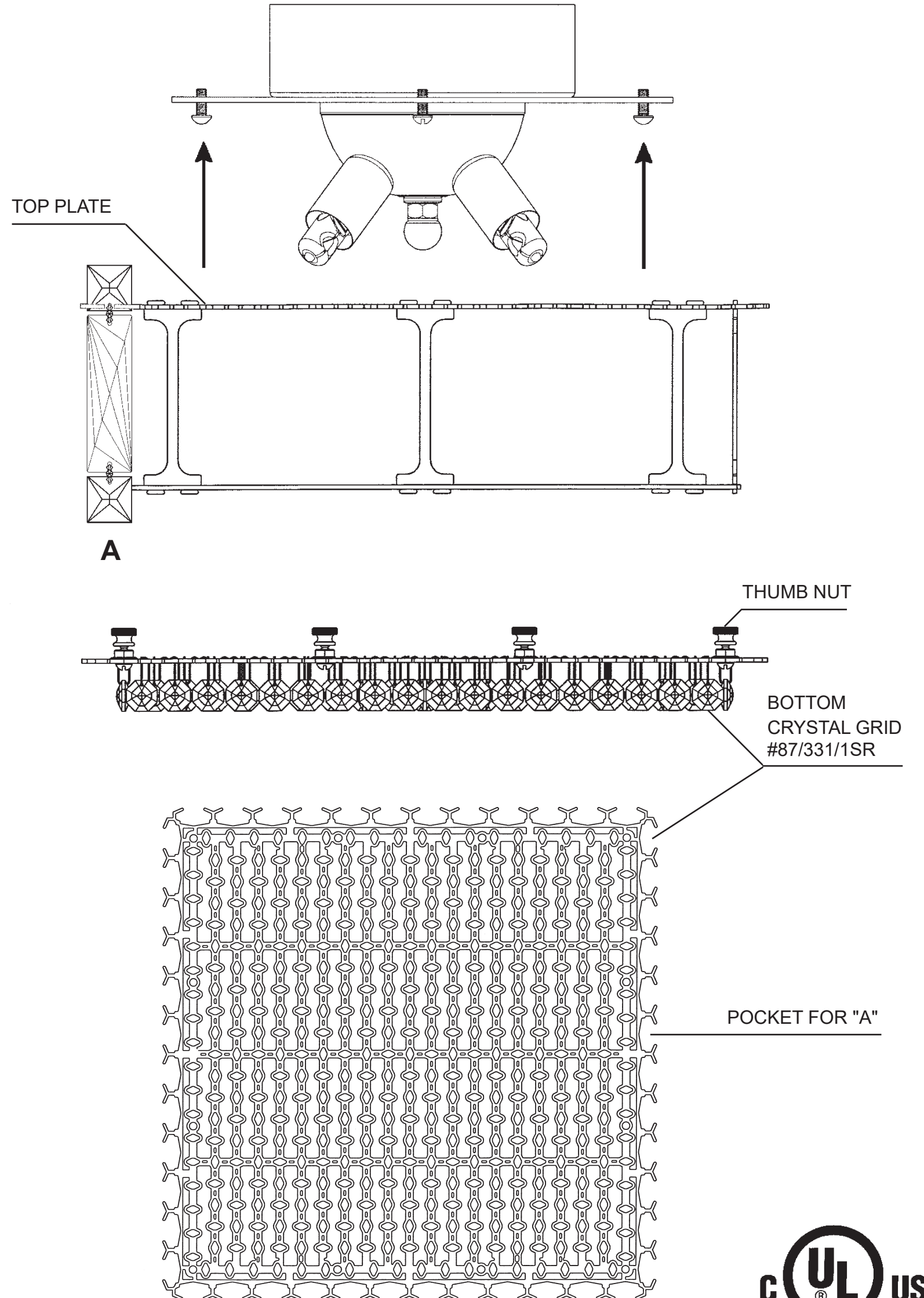
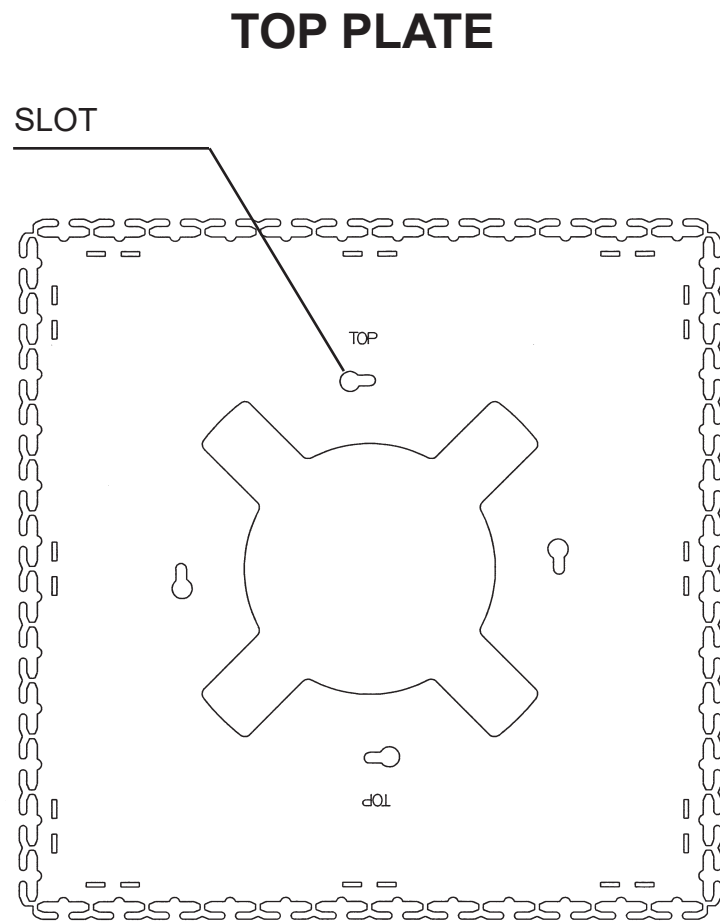


To avoid damaging, do  
 NOT touch bulb with bare  
 hands. Install bulb with  
 clean cloth or tissue.

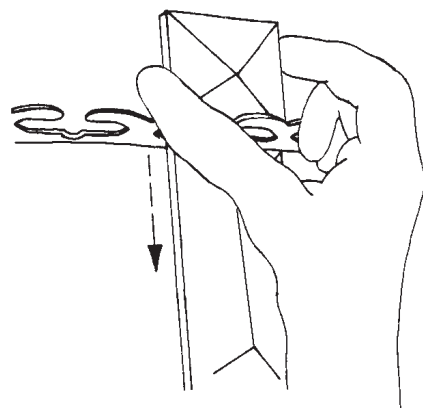
**7** Place slots in top plate over screws on the light body. Turn fixture slightly until it is securely in place. Tighten the (4) screws to lock the top plate in place.

**8** Install bottom crystal grid with twelve thumb nuts (already screwed onto grid) to bottom of the chandelier.

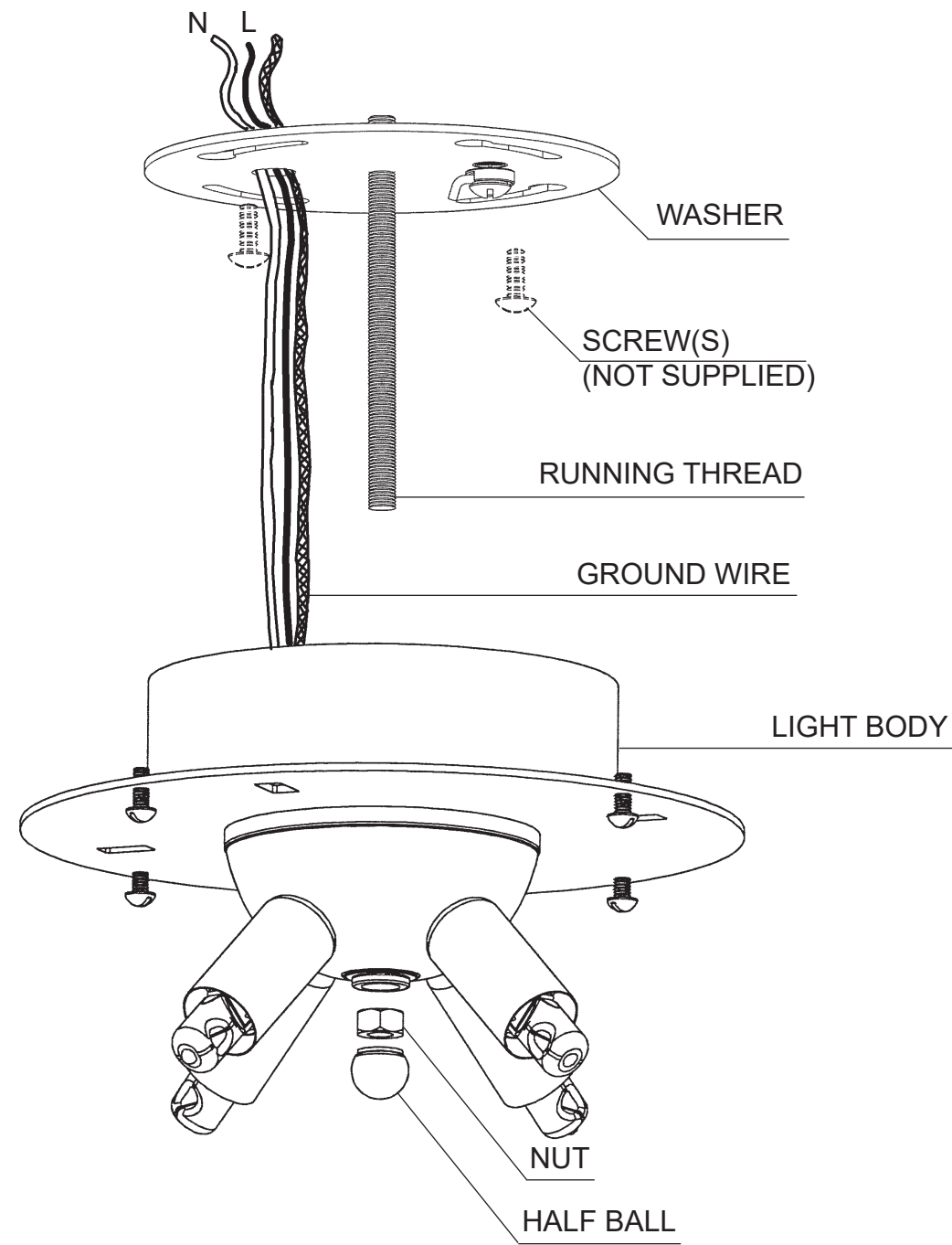
**9** Hold chain "A" by the top square crystal. (NOTE: Flat side of large crystals face out and chains are also symmetrical so either end will work!) Insert bottom square crystal into the pocket of bottom crystal grid. Then position the top connector (between the top two crystals) into the top plate pocket opening directly above the bottom crystal grid pocket. (Diagram #1) Lower the chain until the top square stone seats itself into the top plate pocket. When the chain is installed correctly, it will be held in place by both top and bottom pockets.



**DIAGRAM #1**

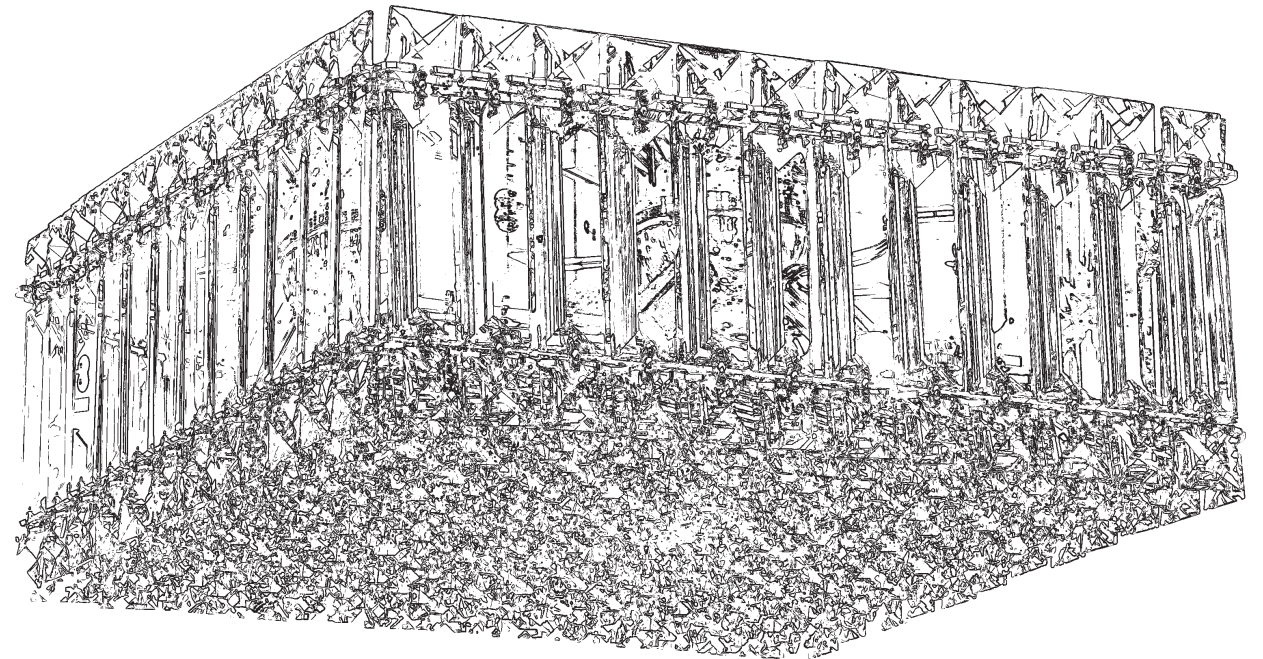


Instructions for electrician  
STEPS 2 - 6



- 2** MAKE SURE POWER IS DISCONNECTED BEFORE INSTALLING OR MAINTAINING THIS FIXTURE.
- 3** Attach washer to ceiling with screws (not supplied).
- 4** Connect wires. Fixture MUST be grounded. If in any doubt consult a qualified electrician.
- 5** Slide light body over running thread and secure in place with nut and half ball.
- 6** Insert bulbs into sockets and test for proper wiring before hanging trim from fixture.

QUANTUM 2124-\_\_\_ \_\_ TRIM DIAGRAM  
(Trim Option)



4 Lights  
Length: 12"  
Width: 12"  
Height: 6"  
Weight: 12lbs.

**T**HIS DESIGN IS THE PROPRIETARY TRADE DRESS/TRADEMARK OF W SCHONBEK LLC.



**SCHONBEK** | 1870

**See diagram on back page  
Follow steps in exact order  
Save this trim diagram for future reference**

**1**

**IMPORTANT**

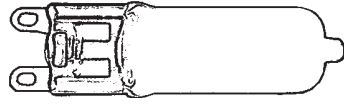
**Person who opens carton should record the following information for future service.**

CODE # \_\_\_\_\_ Four-digit number on outside of carton.  
PACKER # \_\_\_\_\_ See crystal package label.  
ORDER # \_\_\_\_\_ See crystal package label.



# Instructions for crystal trimming

## STEPS 7 - 9

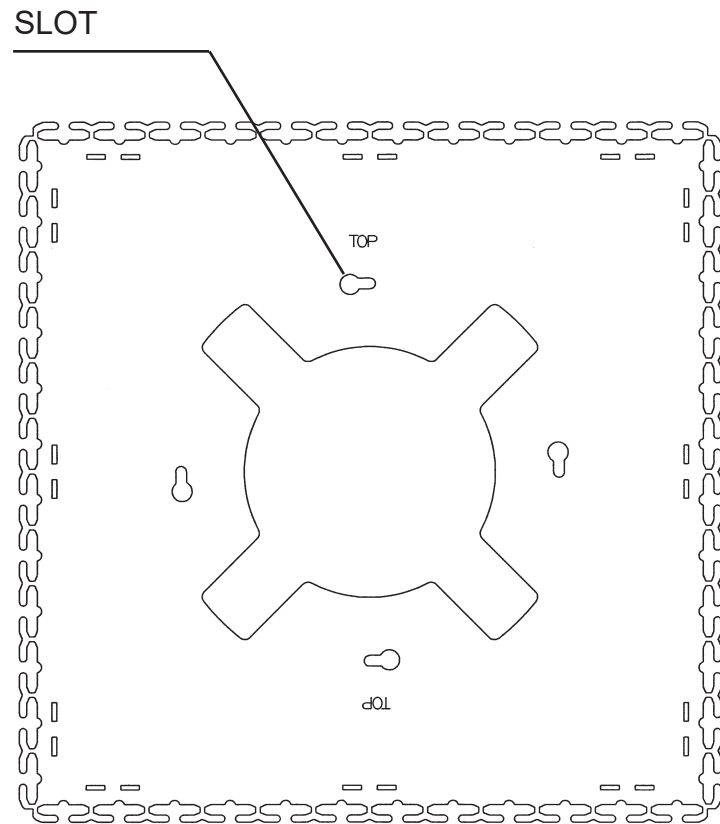


4 - G9 JCD  
 (Supplied - Schonbek #JCD-G9-40)  
 40 Watts Max  
 Install bulbs and be sure to test  
 fixture BEFORE assembly.  
 MIN 75°C SUPPLY  
 CONDUCTORS



To avoid damaging, do  
 NOT touch bulb with bare  
 hands. Install bulb with  
 clean cloth or tissue.

### TOP PLATE

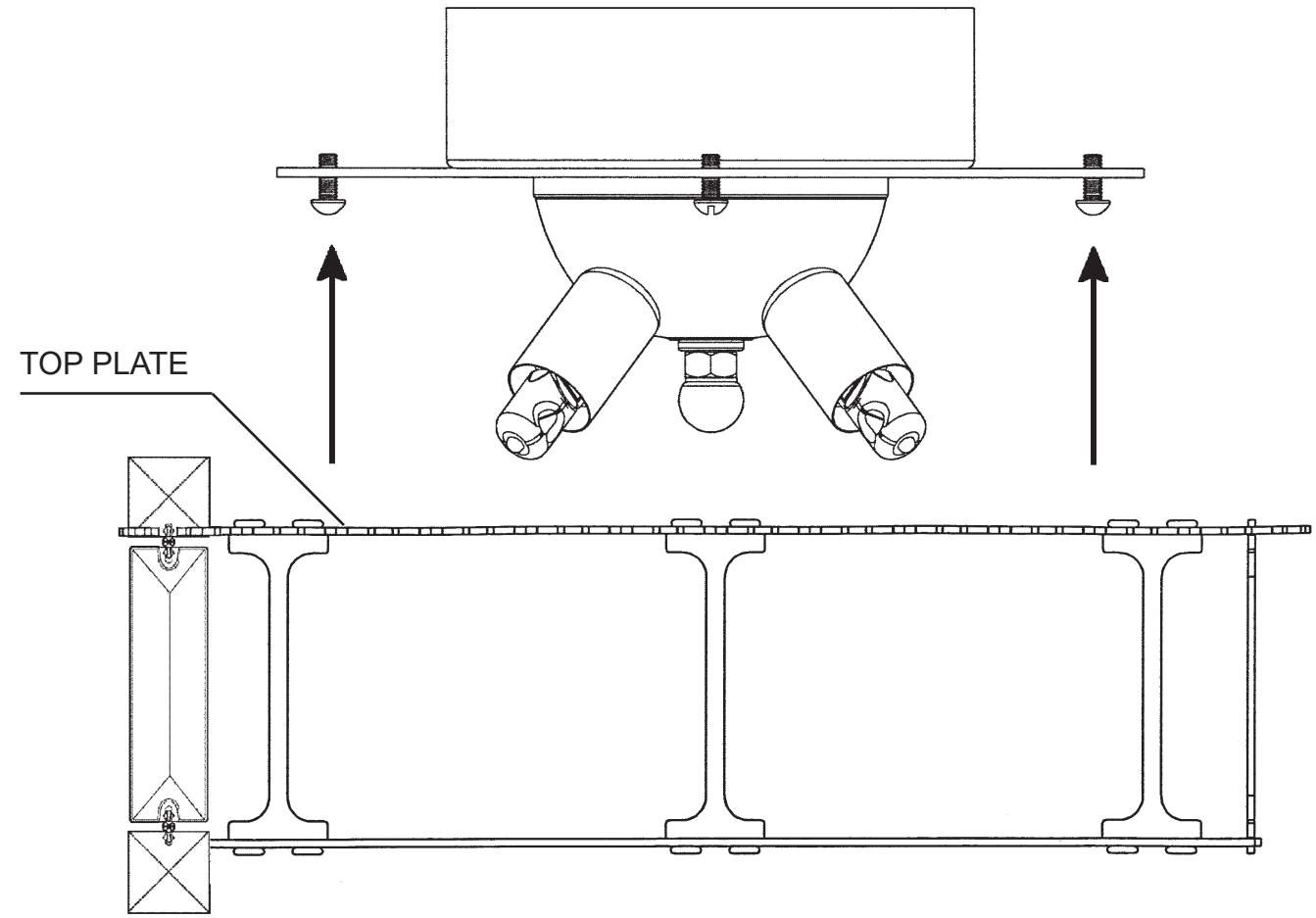
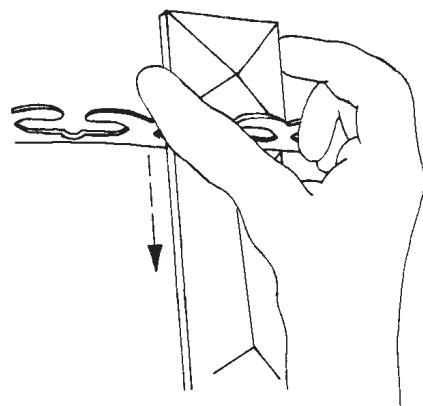


**7** Place slots in top plate over screws on the light body. Turn fixture slightly until it is securely in place. Tighten the (4) screws to lock the top plate in place.

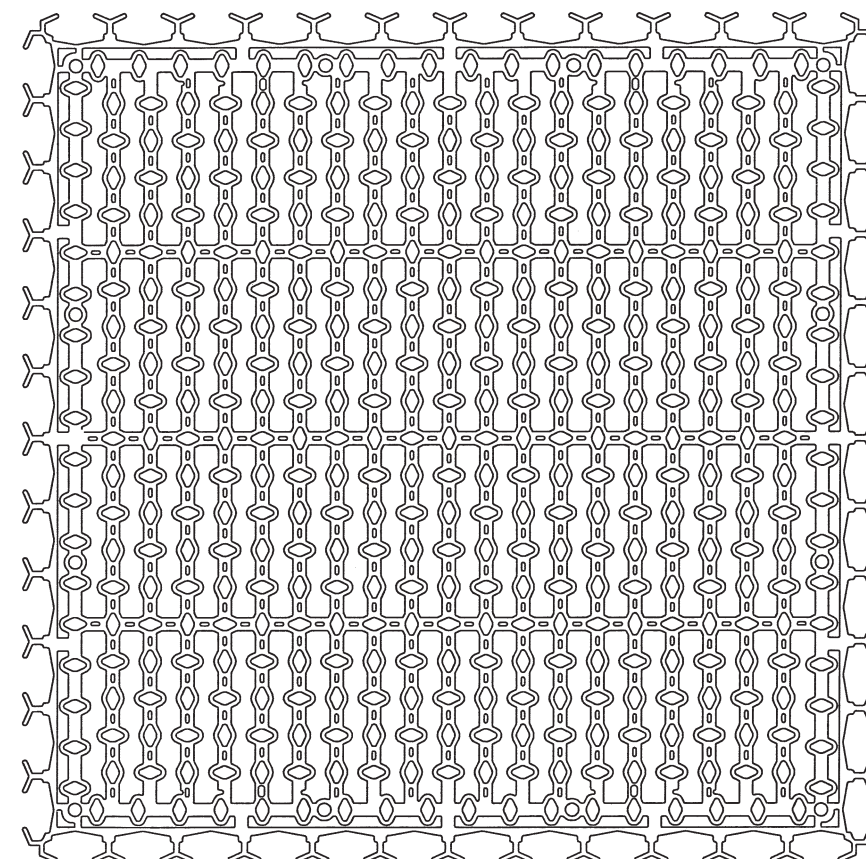
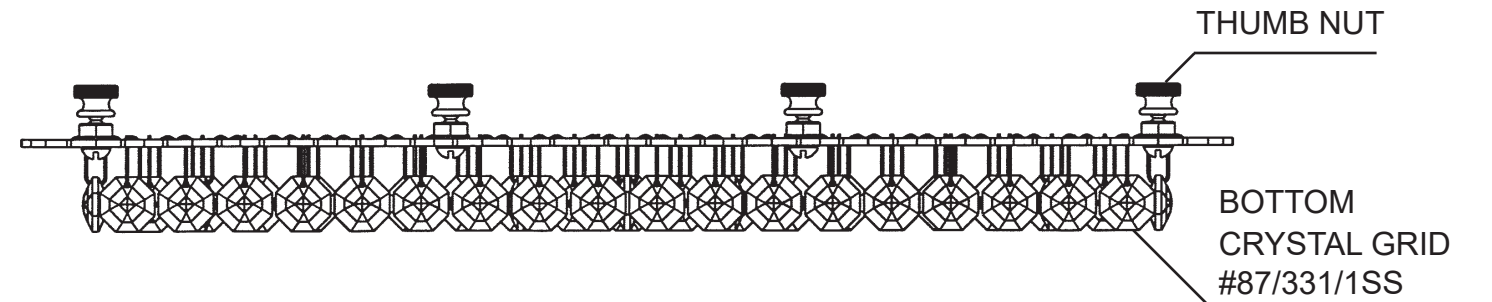
**8** Install bottom crystal grid with twelve thumb nuts (already screwed onto grid) to bottom of the chandelier.

**9** Hang chain "A" into top plate. Hold chain by the top square crystal. (NOTE: Flat side of large crystals face out and chains are also symmetrical so either end will work!) When trimming a ST fixture, alternate hanging A & A1 chains. Insert square crystal into the pocket of the top plate. (Diagram #2) Lower the chain until the top square stone seats itself into the pocket.

DIAGRAM #1



A or A1



POCKET FOR "A" OR "A1"