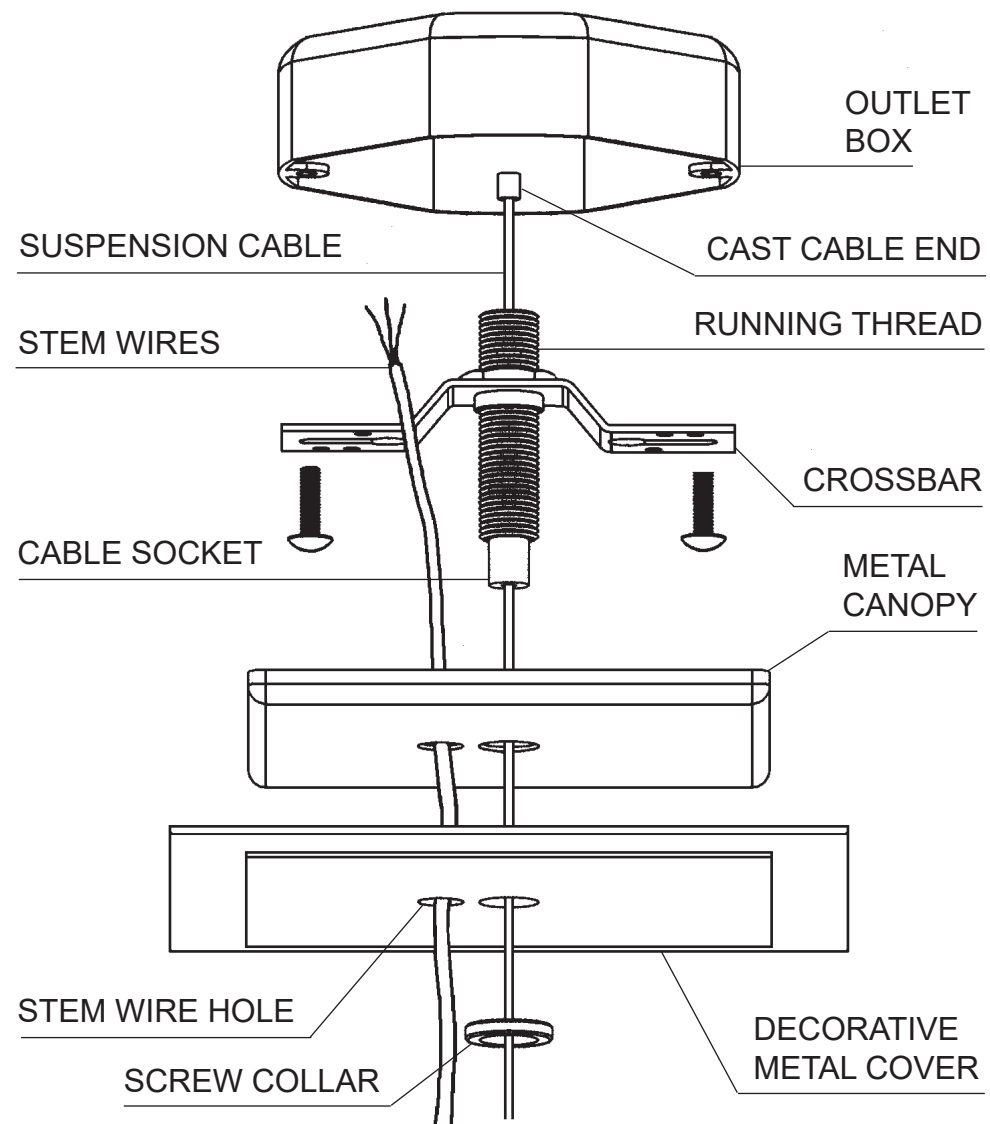


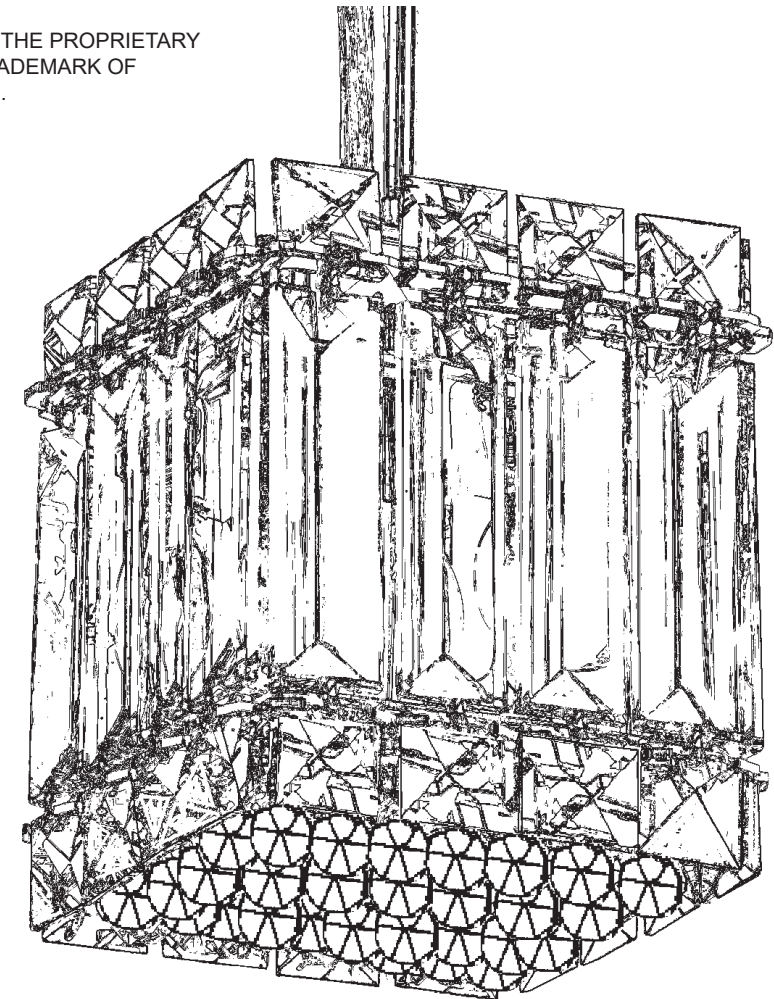
# QUANTUM 22450 TRIM DIAGRAM

## Instructions for electrician STEP 2



**2** Remove the screw collar, decorative metal cover and metal canopy from the canopy assembly. Feed suspension cable through running thread from the top so that the cast cable end is seated in the inside of the cable socket. Attach crossbar to the outlet box with cable hanging down. Feed suspension cable through the center hole (larger hole) of the metal canopy, decorative metal cover and then screw collar. The metal canopy must be on top of the decorative metal cover. Feed cable into cable glider on chandelier frame and hang to desired height. Slide cable into glider and allow it to play out of the side of the cable glider. To adjust height, depress the cable gripper until the cable is released to move the frame up and down the cable. Feed stem wire through stem wire hole in decorative metal cover and metal canopy (the smaller hole). When chandelier is at desired height, trim stem wire and connect ground wire (marked with green tracer) and power wires (black or white tracers) in outlet box. Raise metal canopy and decorative metal cover to ceiling and secure to running thread with the screw collar. Supplied on stem wire are 4 cable grips. Adjust along stem wire and clip to support cable as desired. Cut suspension cable with cable cutters leaving about 1/2" protruding from the side of the cable glider.

THIS DESIGN IS THE PROPRIETARY TRADE DRESS/TRADEMARK OF W SCHONBEK LLC.



2 Lights  
Length: 4"  
Width: 4"  
Height: 5"  
Hanging Weight: 3 lbs.



# SCHONBEK | 1870

**See diagram on back page  
Follow steps in exact order  
Save this trim diagram for future reference**

**1**

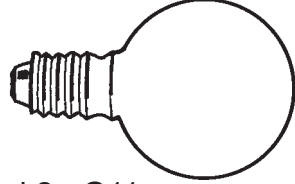
### IMPORTANT

*Person who opens carton should record the following information for future service.*

CODE # \_\_\_\_\_ Four-digit number on outside of carton.  
PACKER # \_\_\_\_\_ See crystal package label.  
ORDER # \_\_\_\_\_ See crystal package label.



## Instructions for crystal trimming STEPS 3 - 5

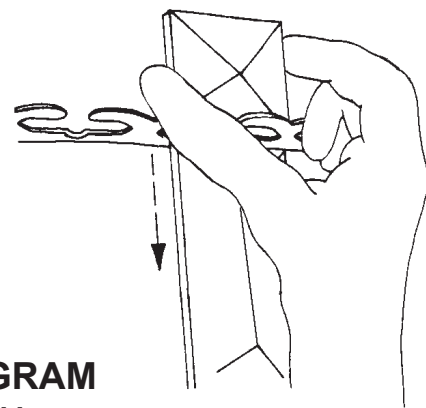
**3** 

You will need 2 - G11  
40 Watts Max  
25 Watts recommended  
(Supplied - Part #: 30205)

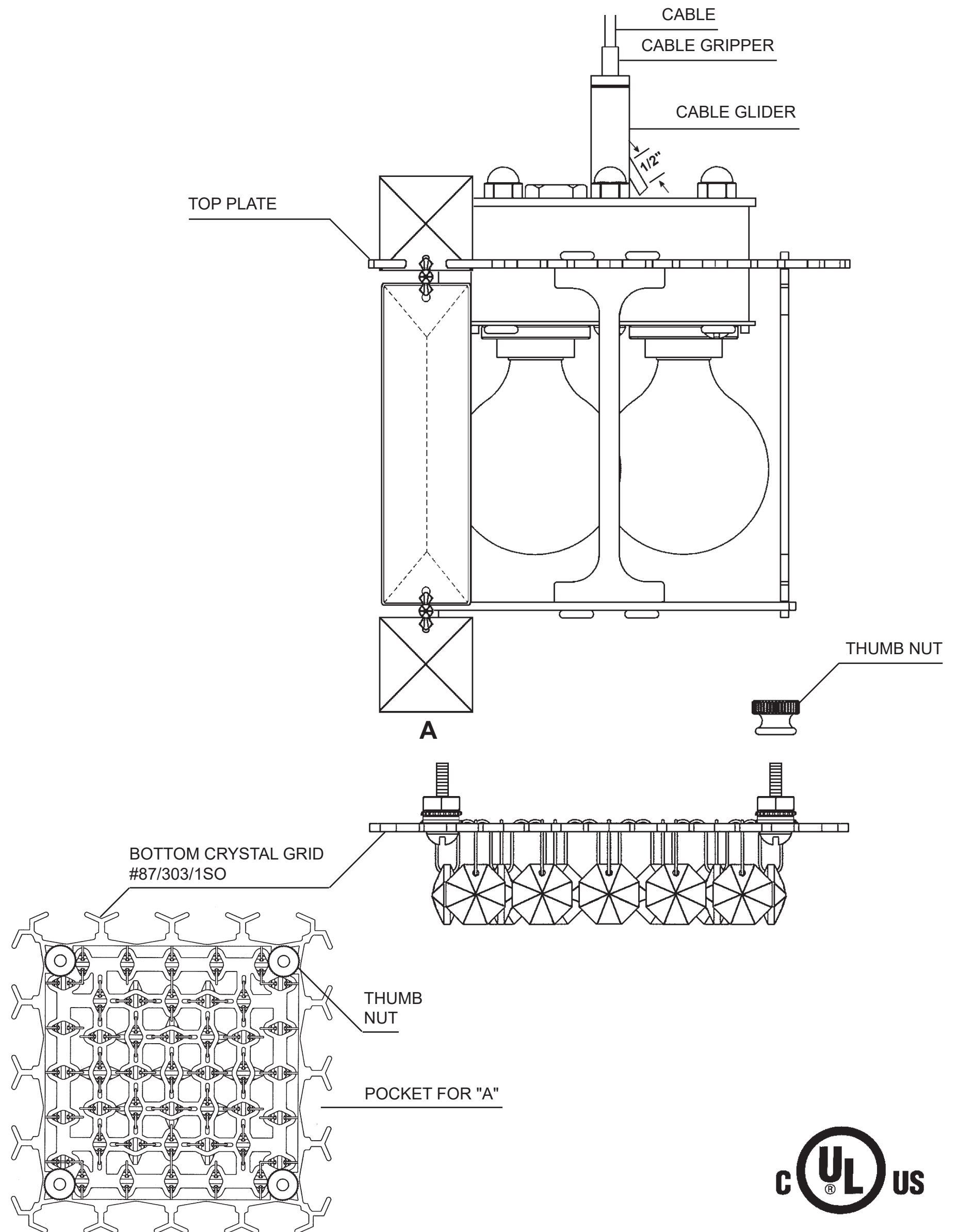
**Install bulbs and be sure to test  
fixture BEFORE trimming.**

**4** Install bottom crystal grid with four thumb nuts (already screwed onto grid) to bottom of the chandelier.

**5** Hold chain "A" by the top square crystal. (NOTE: Flat side of large crystals face out and chains are also symmetrical so either end will work!) Insert bottom square crystal into the pocket of bottom crystal grid. Then position the top connector (between the top two crystals) into the top plate pocket opening directly above the bottom crystal grid pocket. (Diagram #1) Lower the chain until the top square stone seats itself into the top plate pocket. When the chain is installed correctly, it will be held in place by both top and bottom pockets.

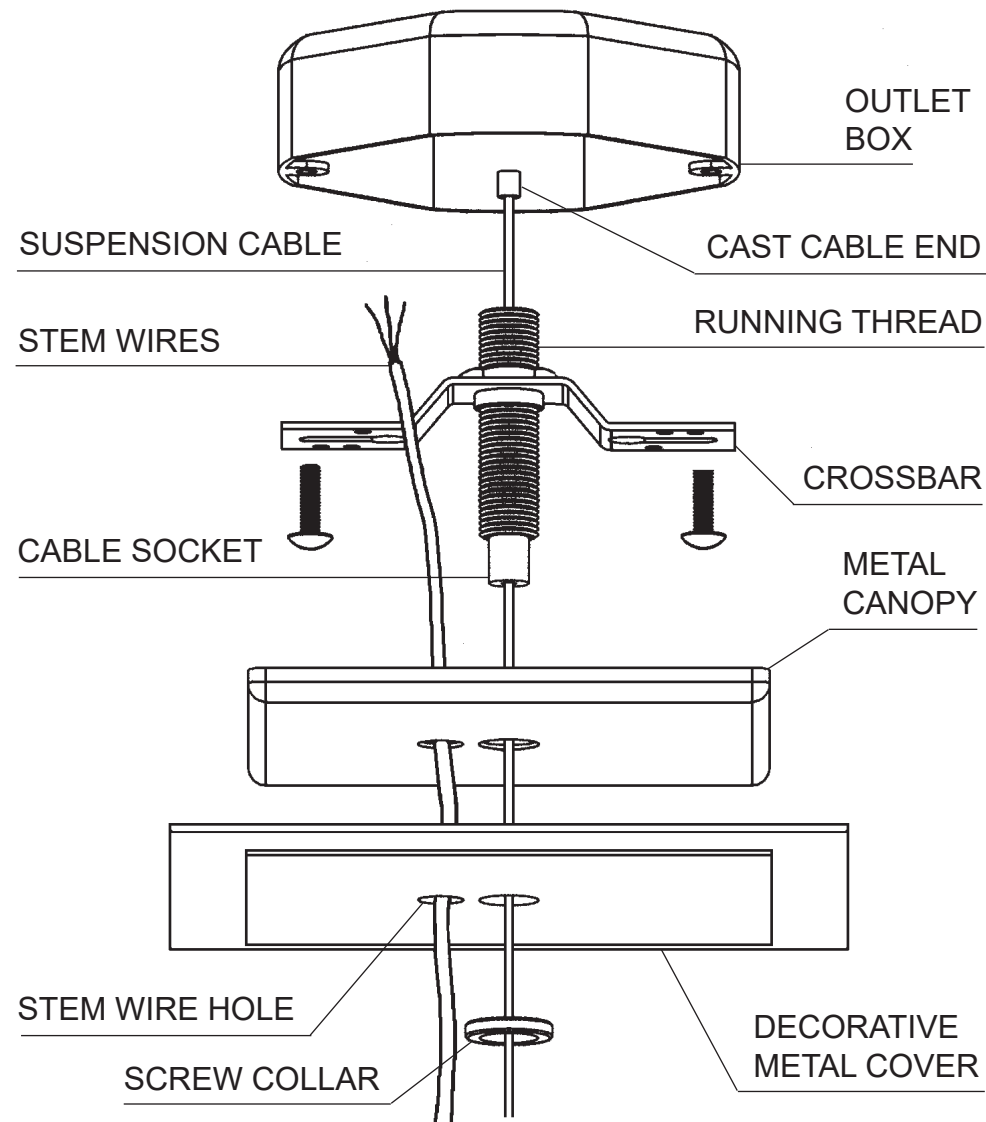


**DIAGRAM  
#1**



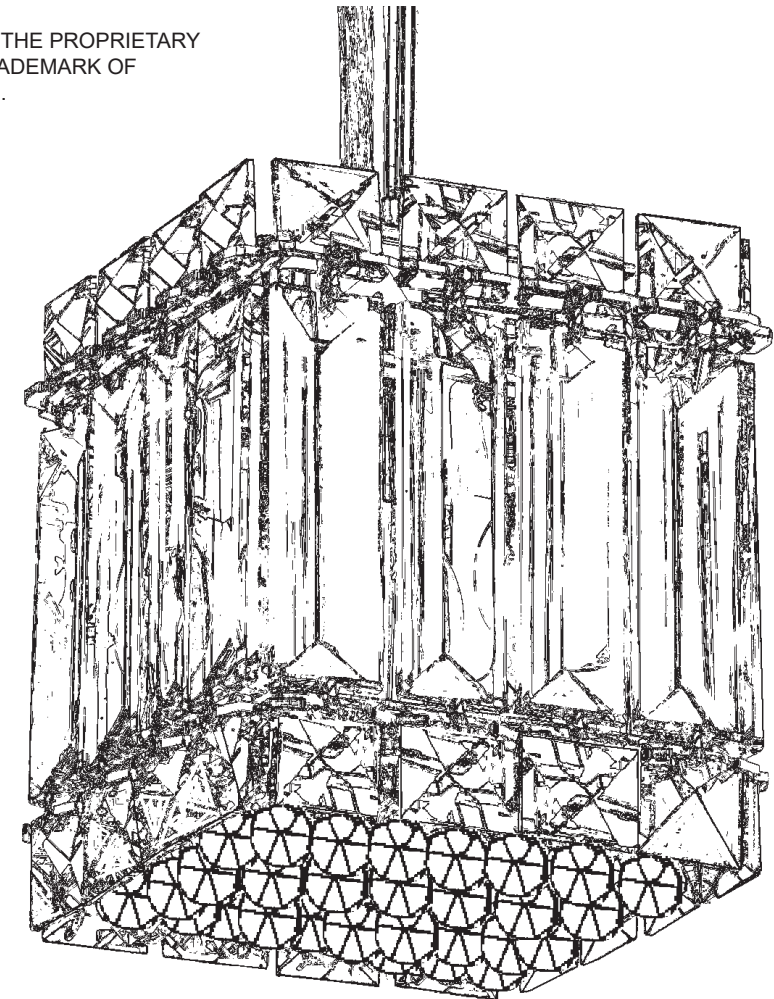
# QUANTUM 2245R TRIM DIAGRAM

## Instructions for electrician STEP 2



**2** Remove the screw collar, decorative metal cover and metal canopy from the canopy assembly. Feed suspension cable through running thread from the top so that the cast cable end is seated in the inside of the cable socket. Attach crossbar to the outlet box with cable hanging down. Feed suspension cable through the center hole (larger hole) of the metal canopy, decorative metal cover and then screw collar. The metal canopy must be on top of the decorative metal cover. Feed cable into cable glider on chandelier frame and hang to desired height. Slide cable into glider and allow it to play out of the side of the cable glider. To adjust height, depress the cable gripper until the cable is released to move the frame up and down the cable. Feed stem wire through stem wire hole in decorative metal cover and metal canopy (the smaller hole). When chandelier is at desired height, trim stem wire and connect ground wire (marked with green tracer) and power wires (black or white tracers) in outlet box. Raise metal canopy and decorative metal cover to ceiling and secure to running thread with the screw collar. Supplied on stem wire are 4 cable grips. Adjust along stem wire and clip to support cable as desired. Cut suspension cable with cable cutters leaving about 1/2" protruding from the side of the cable glider.

THIS DESIGN IS THE PROPRIETARY TRADE DRESS/TRADEMARK OF W SCHONBEK LLC.



2 Lights  
Length: 4"  
Width: 4"  
Height: 5"  
Hanging Weight: 3 lbs.



**SCHONBEK** | 1870

**See diagram on back page  
Follow steps in exact order  
Save this trim diagram for future reference**

**1**

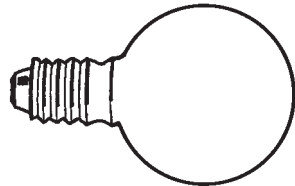
**IMPORTANT**

*Person who opens carton should record the following information for future service.*

CODE # \_\_\_\_\_ Four-digit number on outside of carton.  
PACKER # \_\_\_\_\_ See crystal package label.  
ORDER # \_\_\_\_\_ See crystal package label.



## Instructions for crystal trimming STEPS 3 - 5

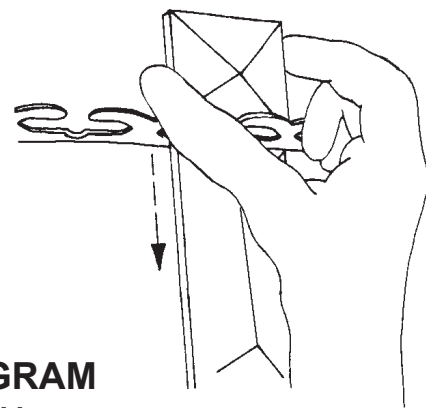
**3** 

You will need 2 - G11  
40 Watts Max  
25 Watts recommended  
(Supplied - Part #: 30205)

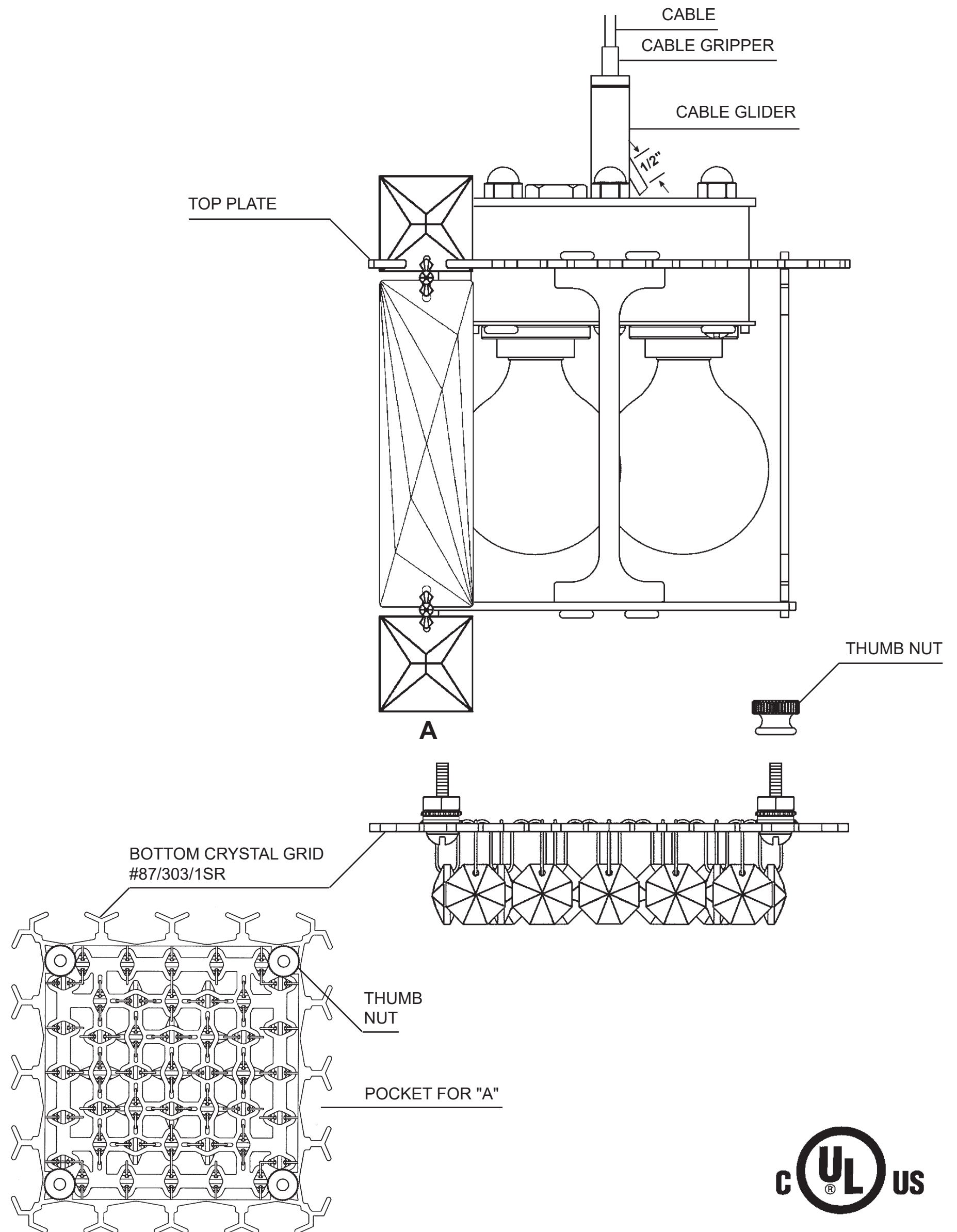
**Install bulbs and be sure to test  
fixture BEFORE trimming.**

**4** Install bottom crystal grid with four thumb nuts (already screwed onto grid) to bottom of the chandelier.

**5** Hold chain "A" by the top square crystal. (NOTE: Flat side of large crystals face out and chains are also symmetrical so either end will work!) Insert bottom square crystal into the pocket of bottom crystal grid. Then position the top connector (between the top two crystals) into the top plate pocket opening directly above the bottom crystal grid pocket. (Diagram #1) Lower the chain until the top square stone seats itself into the top plate pocket. When the chain is installed correctly, it will be held in place by both top and bottom pockets.



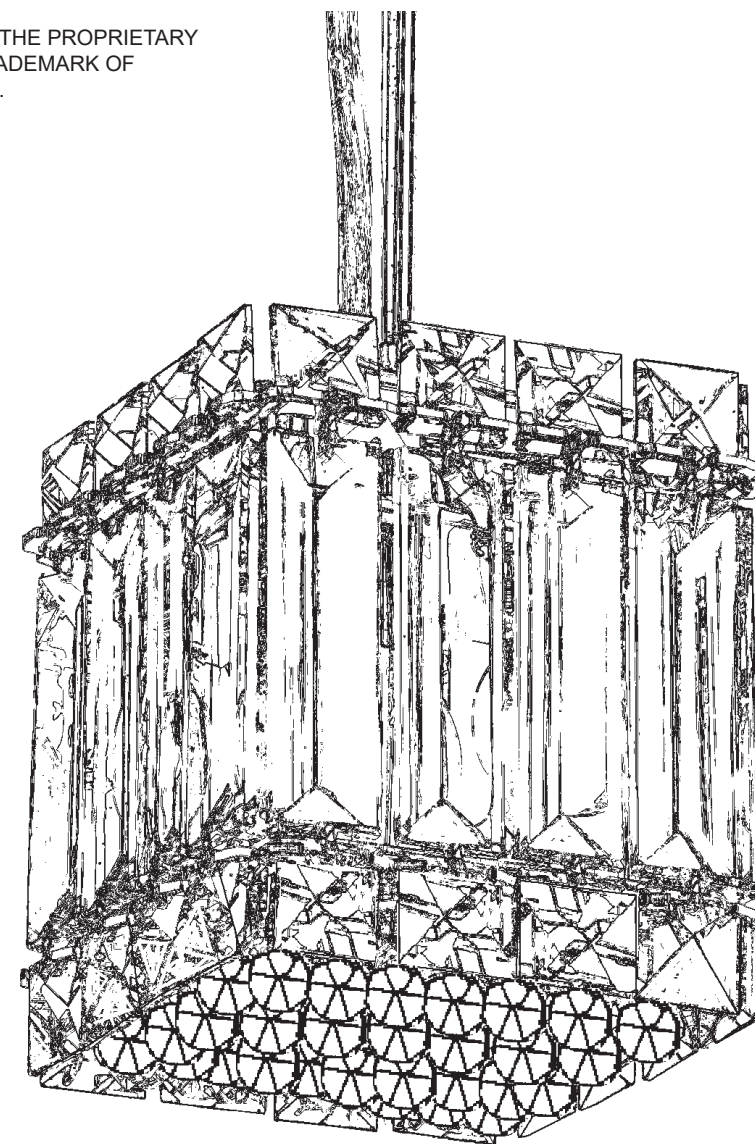
**DIAGRAM  
#1**



# QUANTUM 2245-\_\_\_ TRIM DIAGRAM

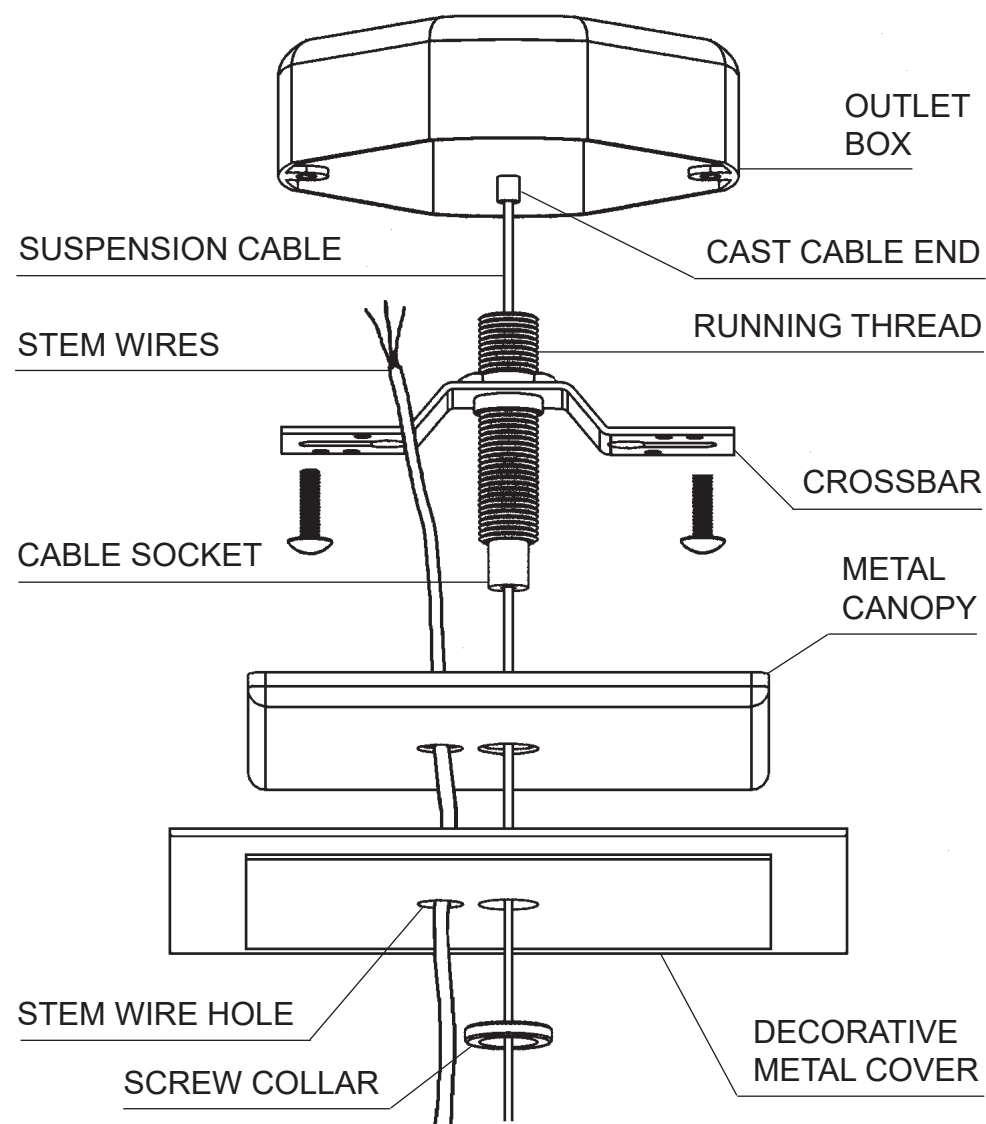
(Trim Option)

THIS DESIGN IS THE PROPRIETARY TRADE DRESS/TRADEMARK OF W SCHONBEK LLC.



2 Lights  
 Length: 4"  
 Width: 4"  
 Height: 5"  
 Hanging Weight: 3 lbs.

## Instructions for electrician STEP 2



**2** Remove the screw collar, decorative metal cover and metal canopy from the canopy assembly. Feed suspension cable through running thread from the top so that the cast cable end is seated in the inside of the cable socket. Attach crossbar to the outlet box with cable hanging down. Feed suspension cable through the center hole (larger hole) of the metal canopy, decorative metal cover and then screw collar. The metal canopy must be on top of the decorative metal cover. Feed cable into cable glider on chandelier frame and hang to desired height. Slide cable into glider and allow it to play out of the side of the cable glider. To adjust height, depress the cable gripper until the cable is released to move the frame up and down the cable. Feed stem wire through stem wire hole in decorative metal cover and metal canopy (the smaller hole). When chandelier is at desired height, trim stem wire and connect ground wire (marked with green tracer) and power wires (black or white tracers) in outlet box. Raise metal canopy and decorative metal cover to ceiling and secure to running thread with the screw collar. Supplied are 4 cable grips. Adjust along stem wire and clip to support cable as desired. Cut suspension cable with cable cutters leaving about 1/2" protruding from the side of the cable glider.



# SCHONBEK | 1870

**See diagram on back page  
 Follow steps in exact order  
 Save this trim diagram for future reference**

**1**

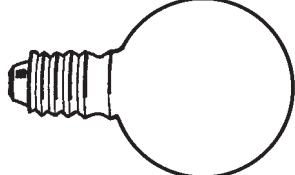
### IMPORTANT

**Person who opens carton should record the following information for future service.**

CODE # \_\_\_\_\_ Four-digit number on outside of carton.  
 PACKER # \_\_\_\_\_ See crystal package label.  
 ORDER # \_\_\_\_\_ See crystal package label.



## Instructions for crystal trimming STEPS 3 - 5

**3** 

You will need 2 - G11  
40 Watts Max  
25 Watts recommended  
(Supplied - Part #: 30205)

**Install bulbs and be sure to test  
fixture BEFORE trimming.**

**4** Install bottom crystal grid with four thumb nuts (already screwed onto grid) to bottom of the chandelier.

**5** Hold chain "A" by the top square crystal. (NOTE: Flat side of large crystals face out and chains are also symmetrical so either end will work!) When trimming a ST fixture, alternate hanging A & A1 chains. Insert bottom square crystal into the pocket of bottom crystal grid. Then position the top connector (between the top two crystals) into the top plate pocket opening directly above the bottom crystal grid pocket. (Diagram #1) Lower the chain until the top square stone seats itself into the top plate pocket. When the chain is installed correctly, it will be held in place by both top and bottom pockets.

