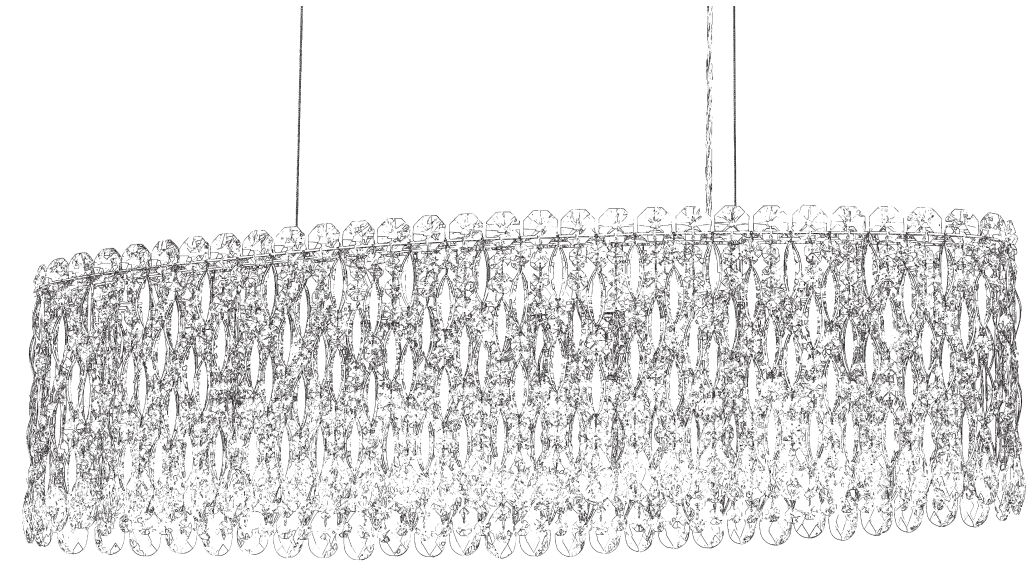


 **SCHONBEK** | 1870











SARELLA
RS8340N- __ __ H

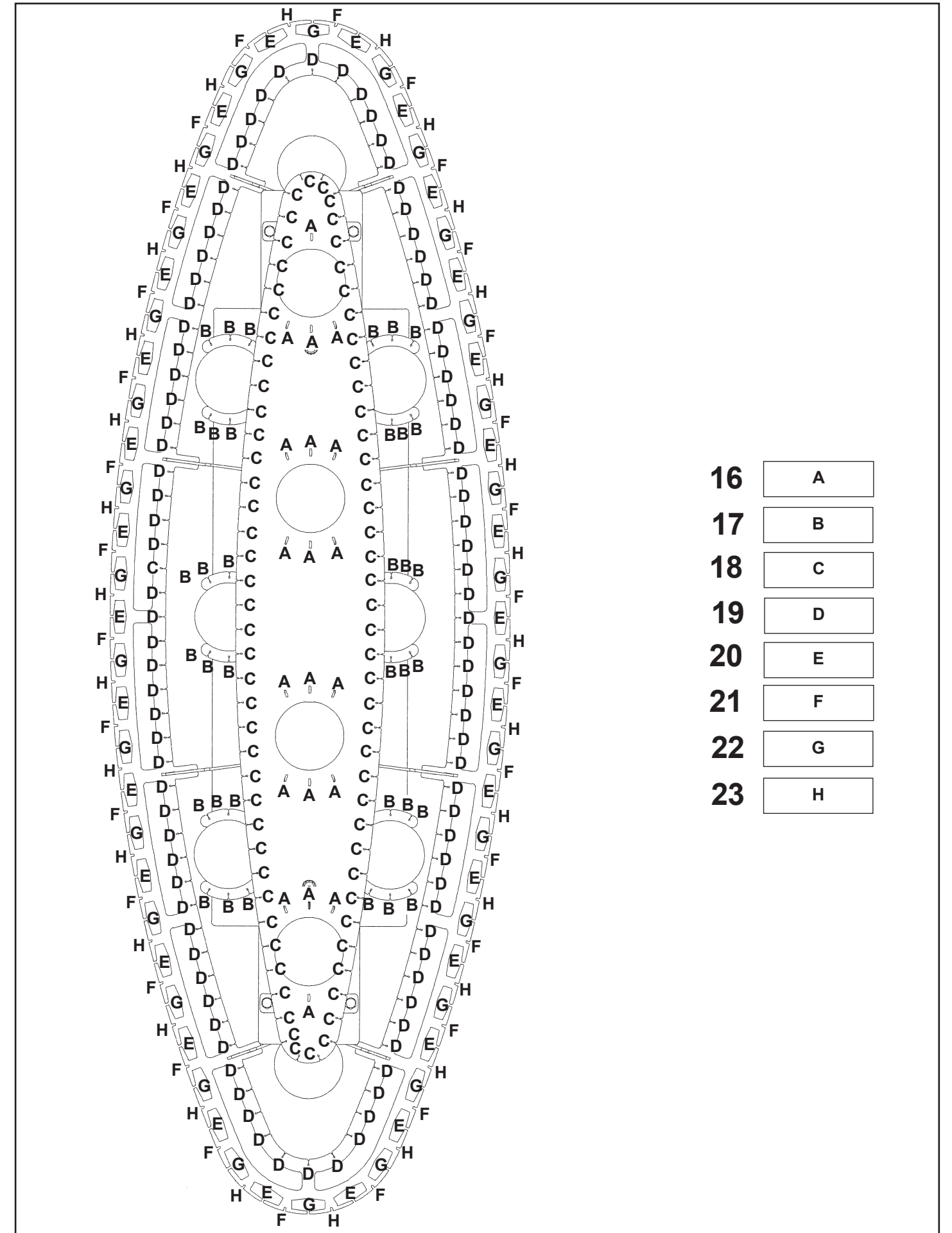
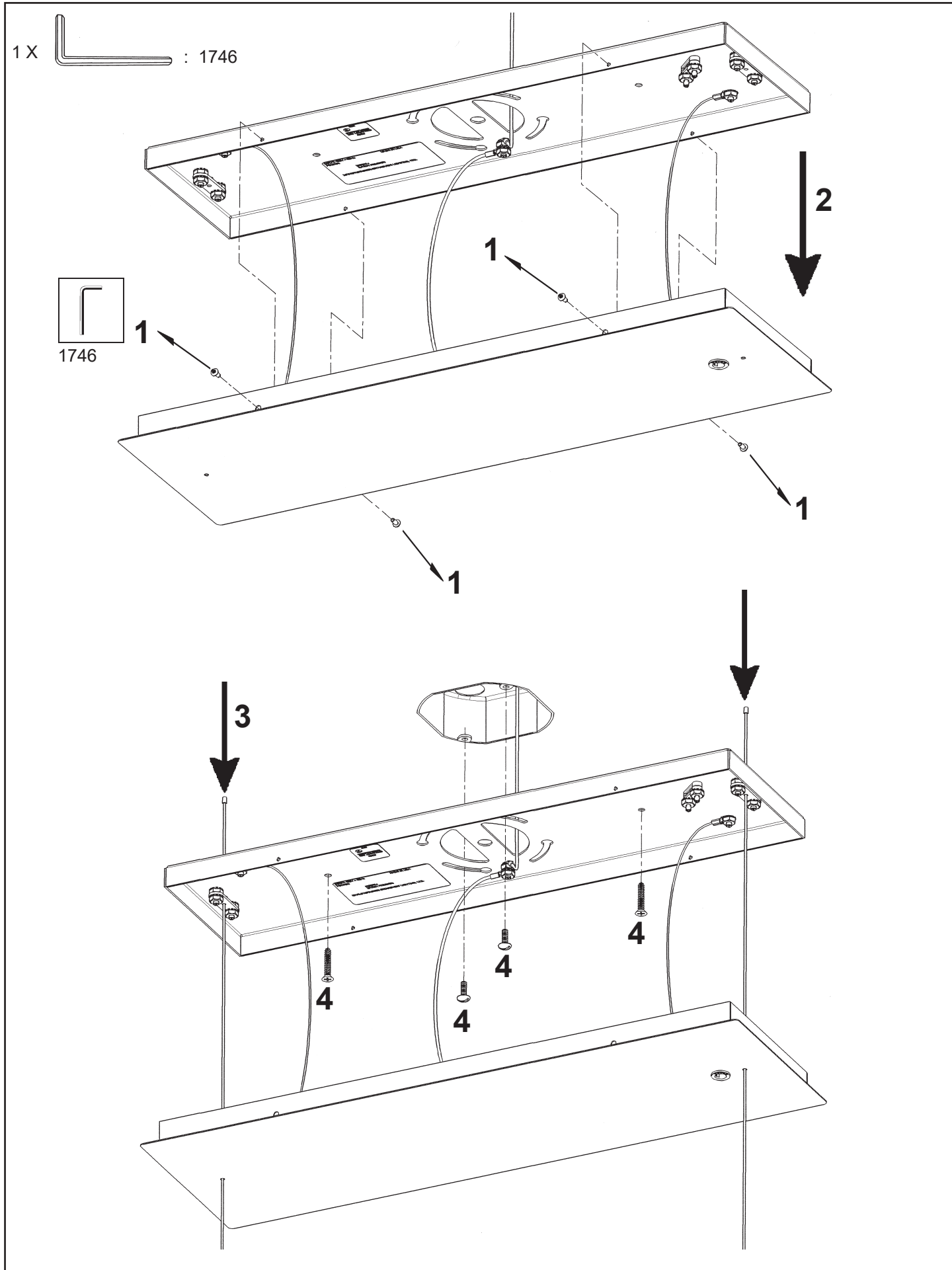


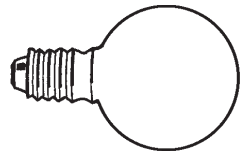
12 Lights
Length: 36"
Width: 12"
Height: 10"
Hanging Weight: 29lbs.

THIS DESIGN IS THE PROPRIETARY
TRADE DRESS/TRADEMARK OF
W SCHONBEK LLC.

 **SCHONBEK** | 1870

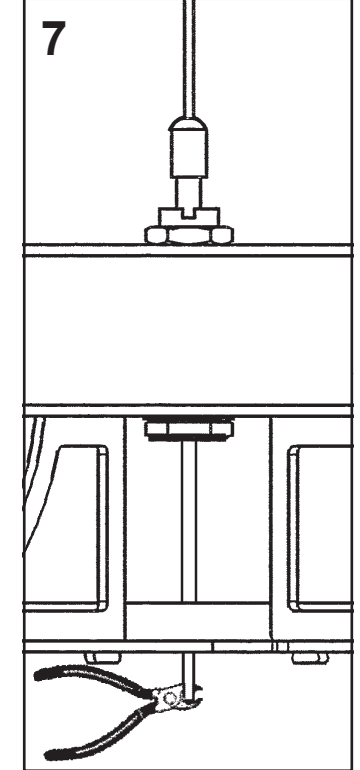
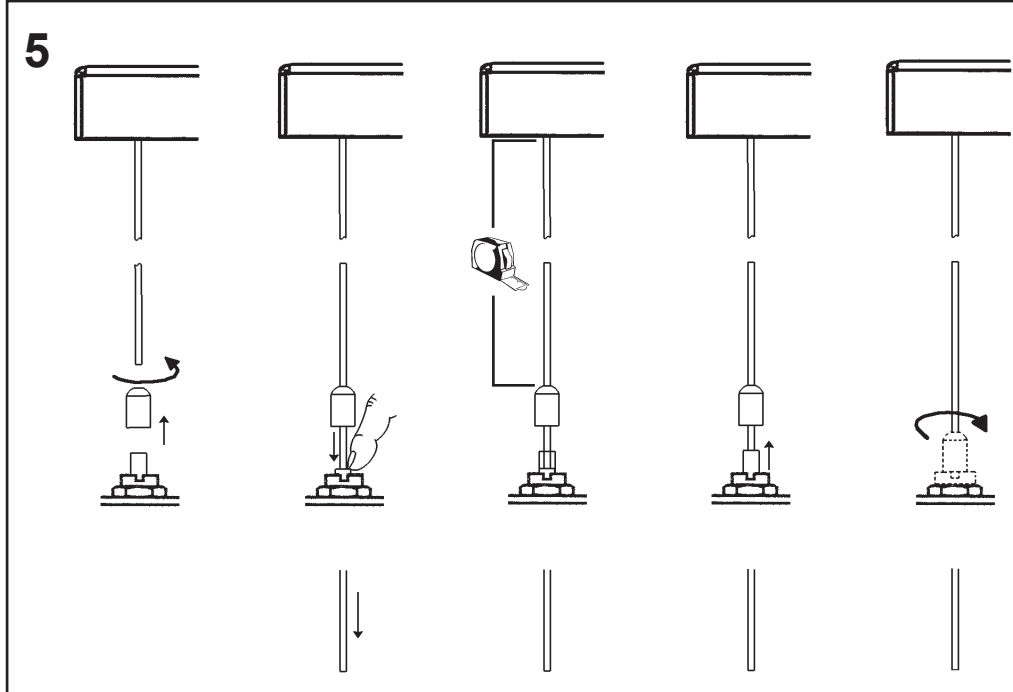
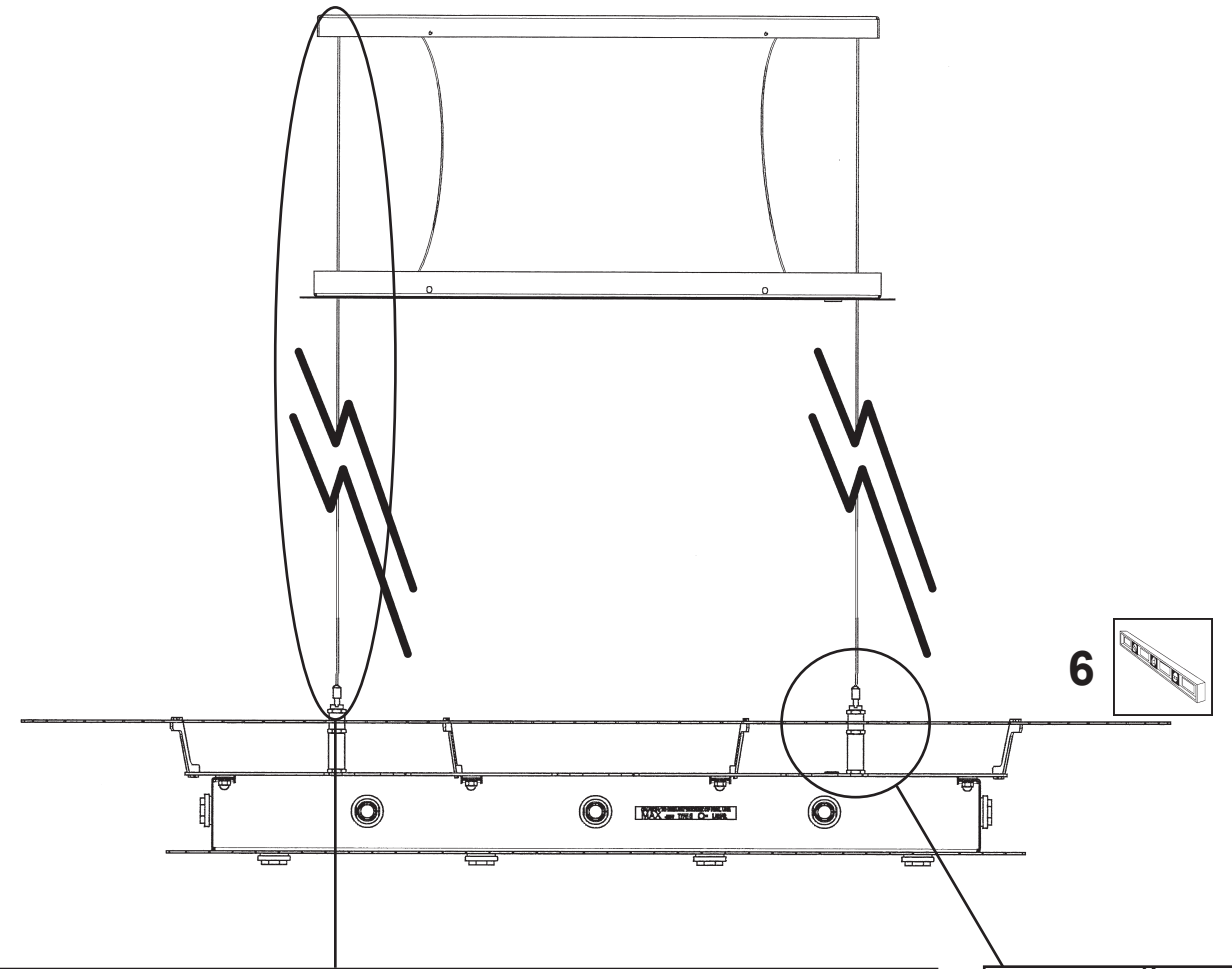
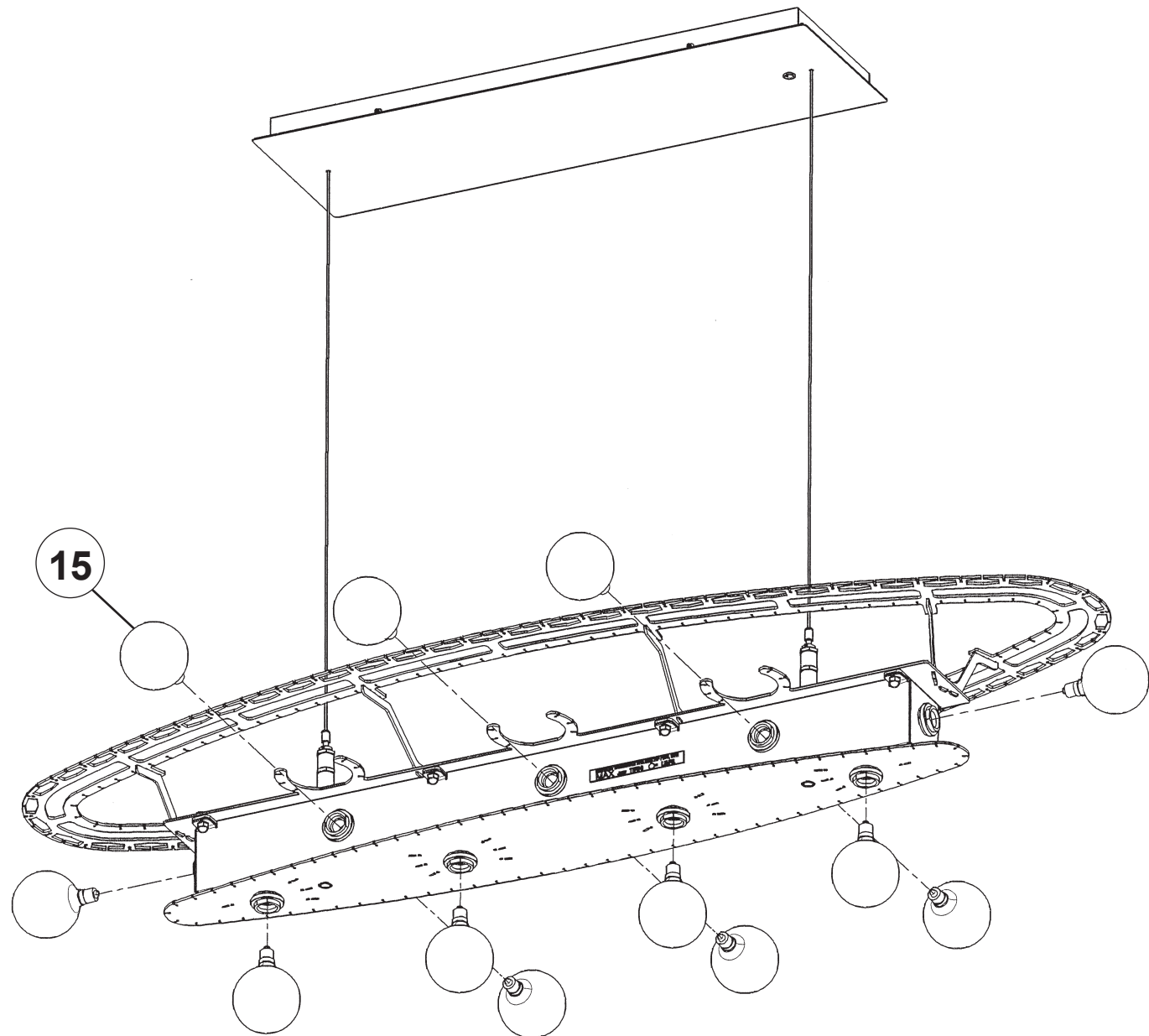
								
MAX 40 W	110-120 V							

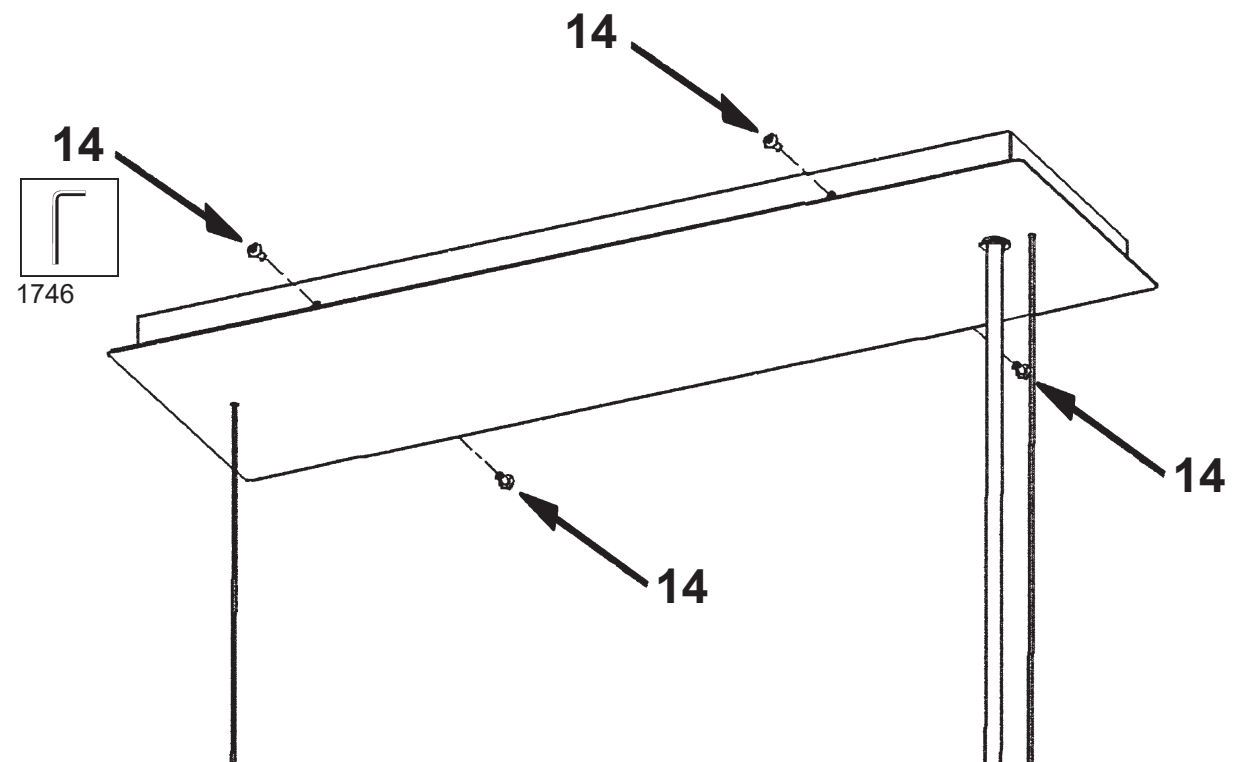
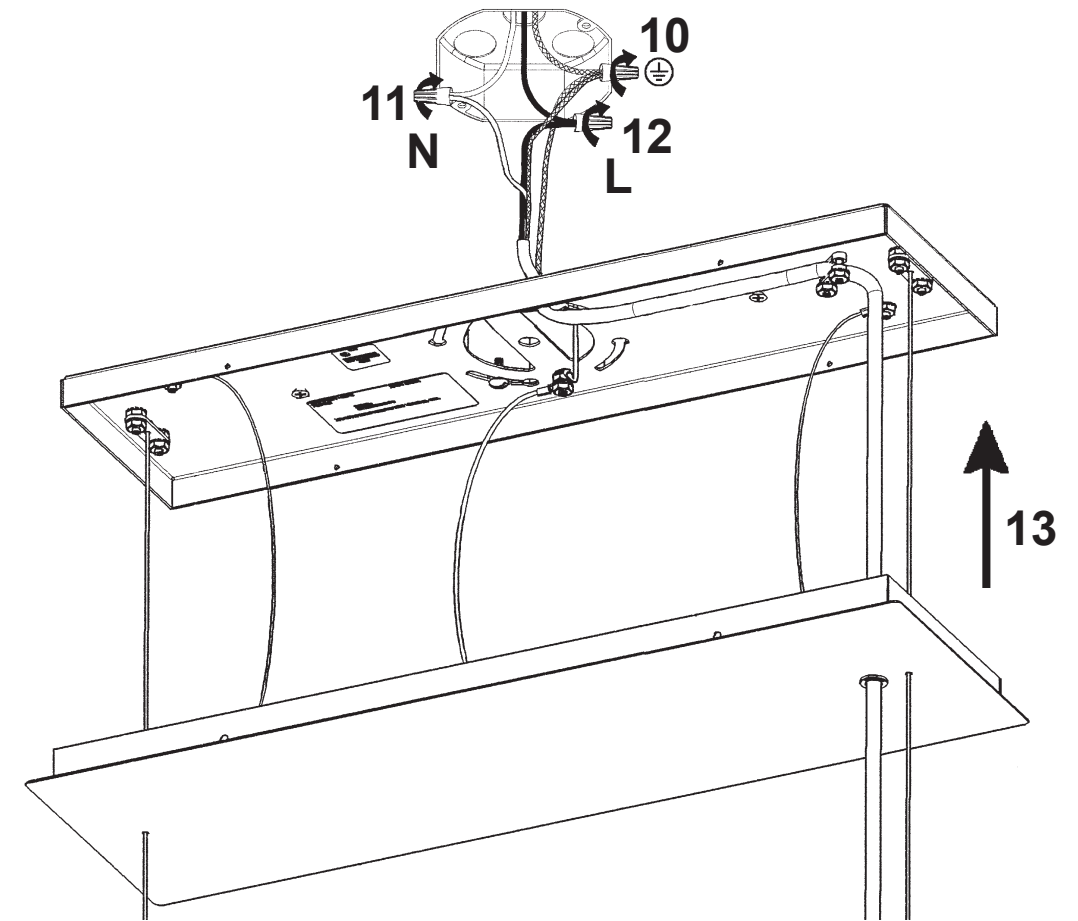
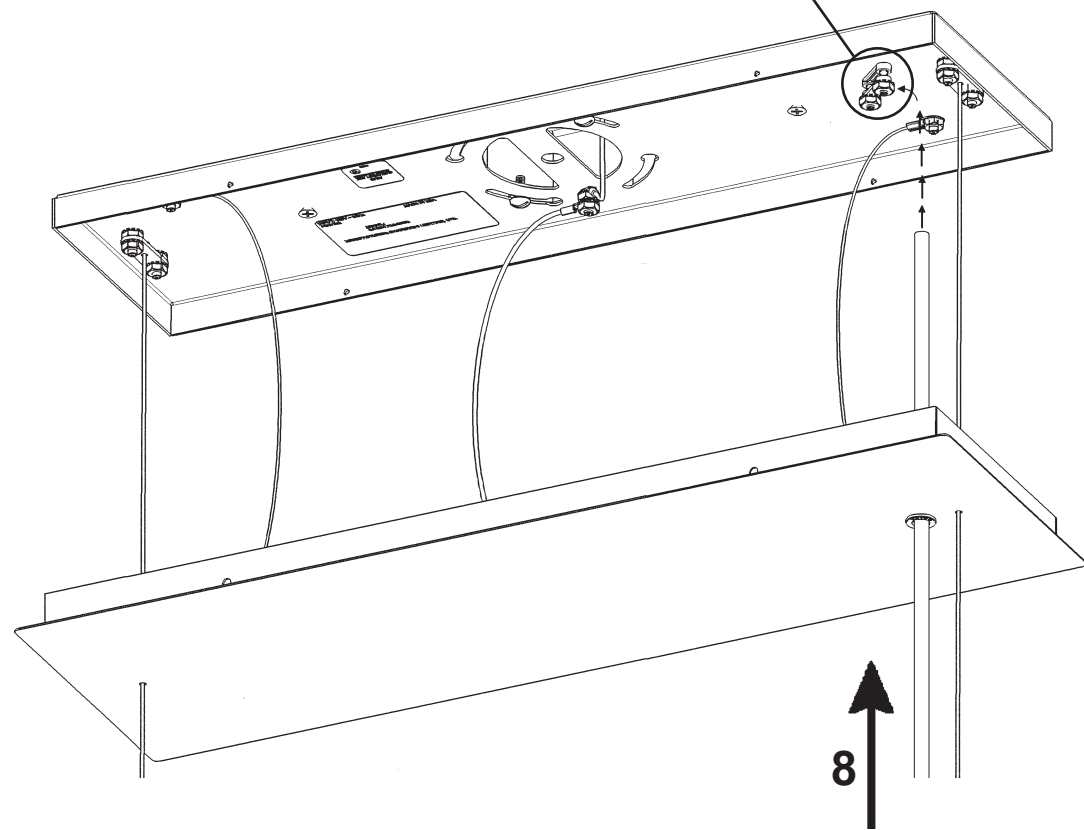
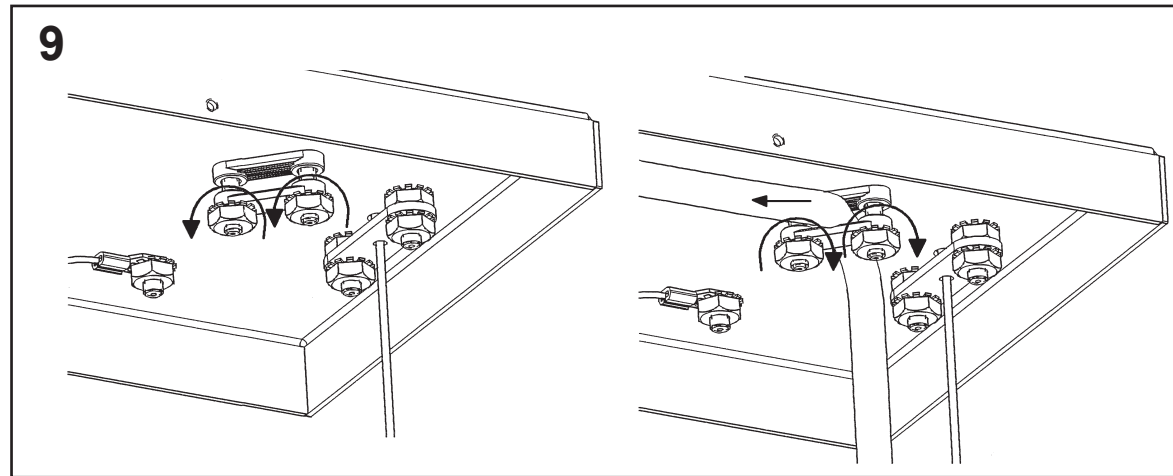




You will need 12 - G16-1/2 Bulbs
40 Watts Max

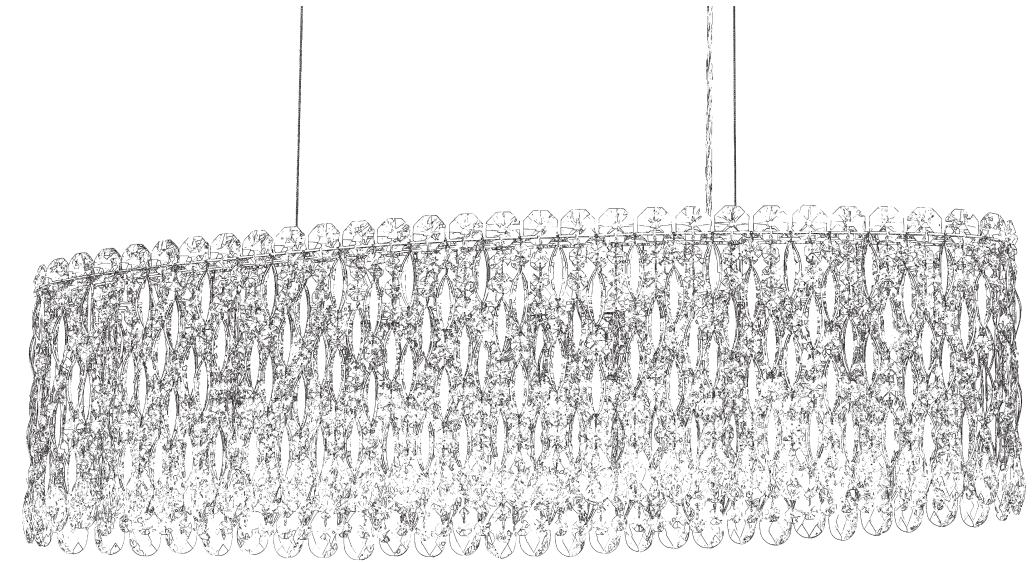
Install bulbs and be sure to
test fixture BEFORE trimming.





 **SCHONBEK** | 1870











SARELLA
RS8340N- __ __ R

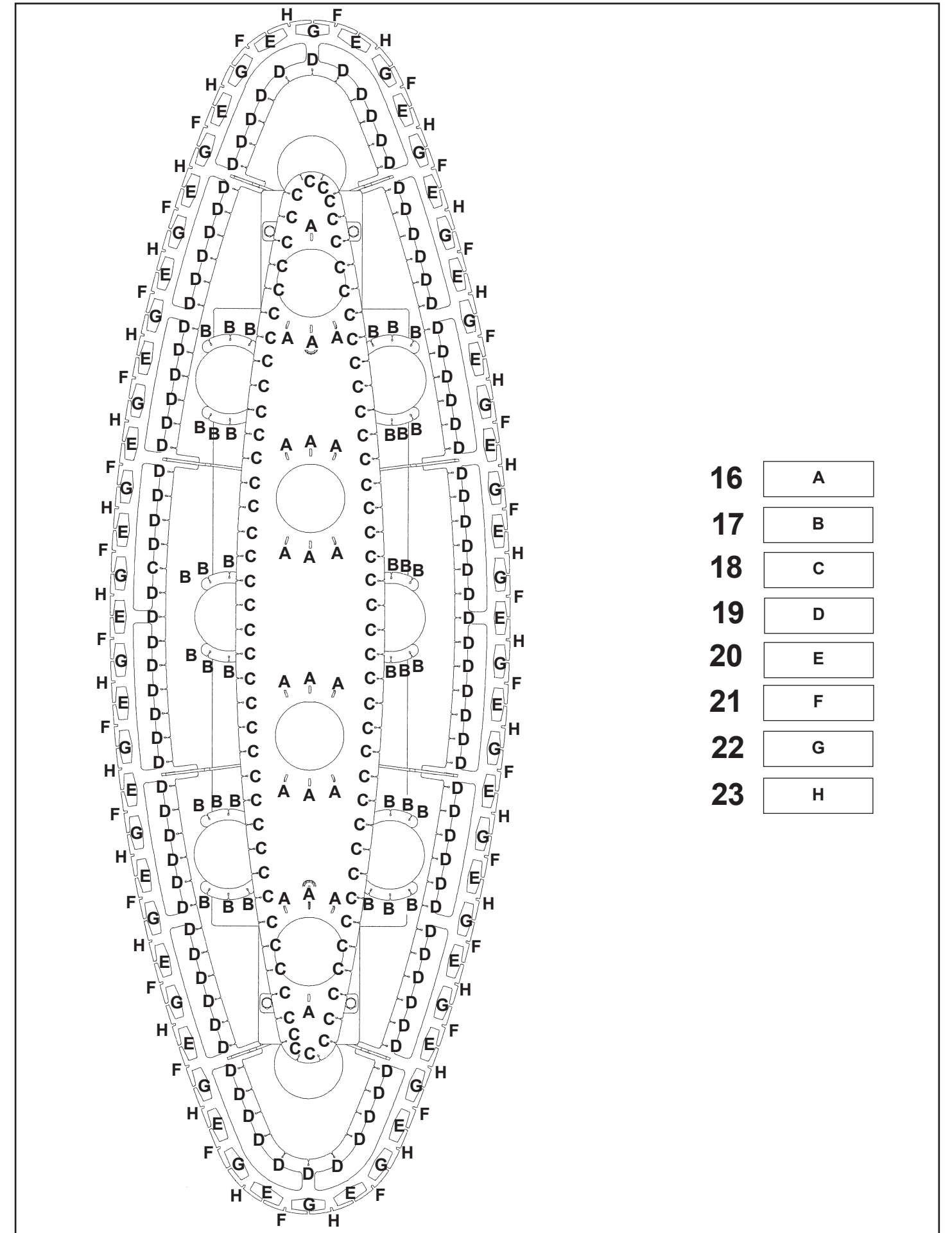
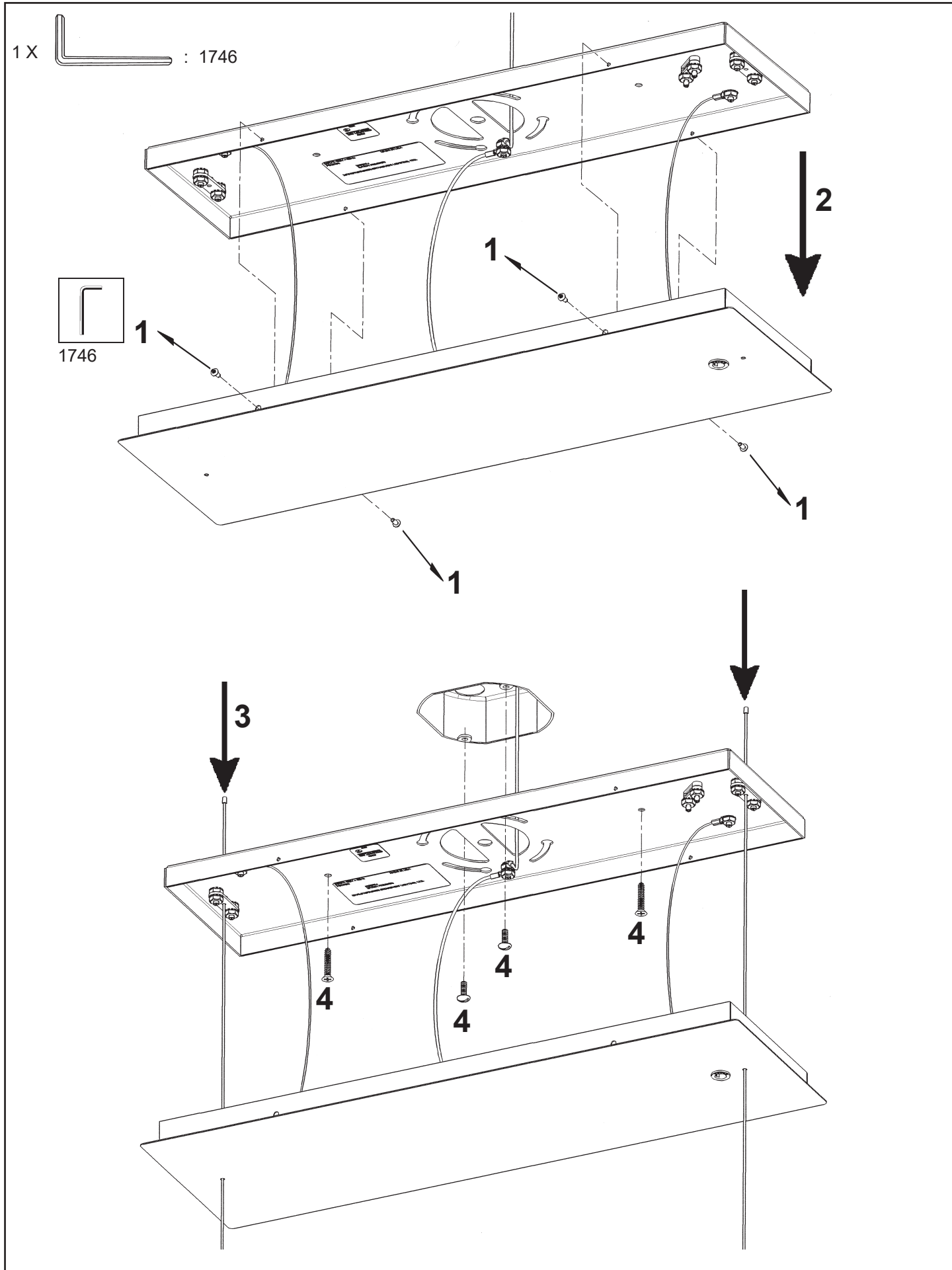


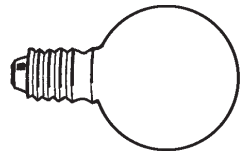
12 Lights
Length: 36"
Width: 12"
Height: 10"
Hanging Weight: 29lbs.

THIS DESIGN IS THE PROPRIETARY
TRADE DRESS/TRADEMARK OF
W SCHONBEK LLC.

 **SCHONBEK** | 1870

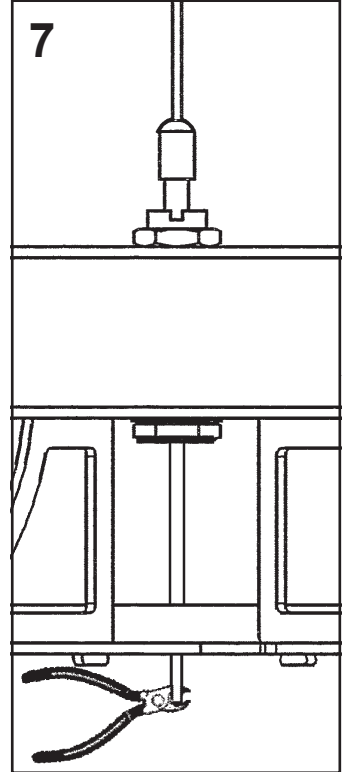
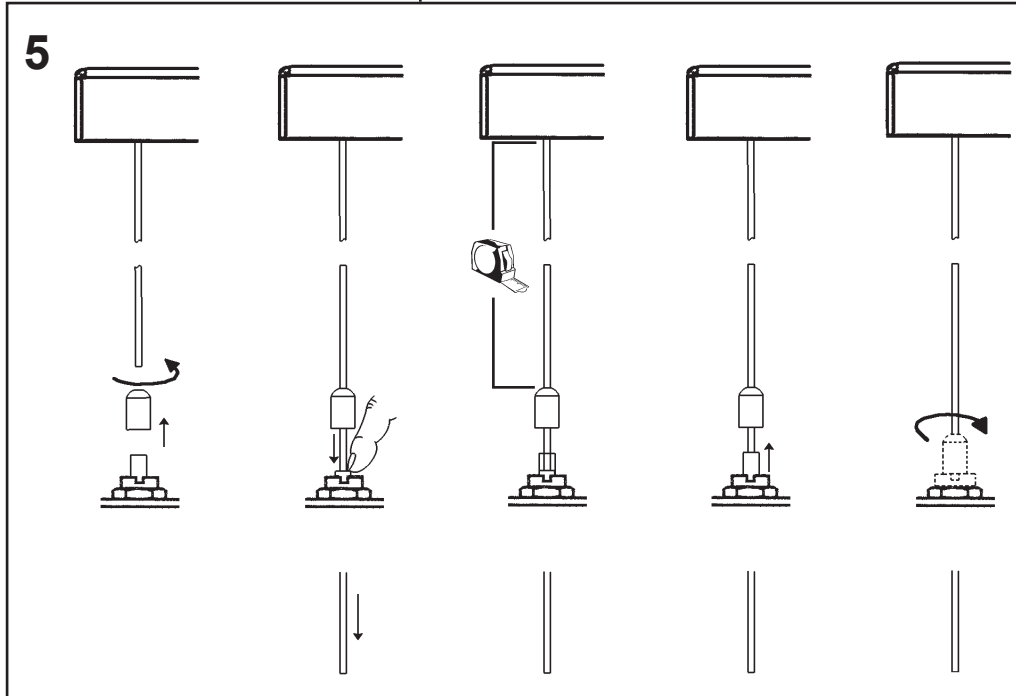
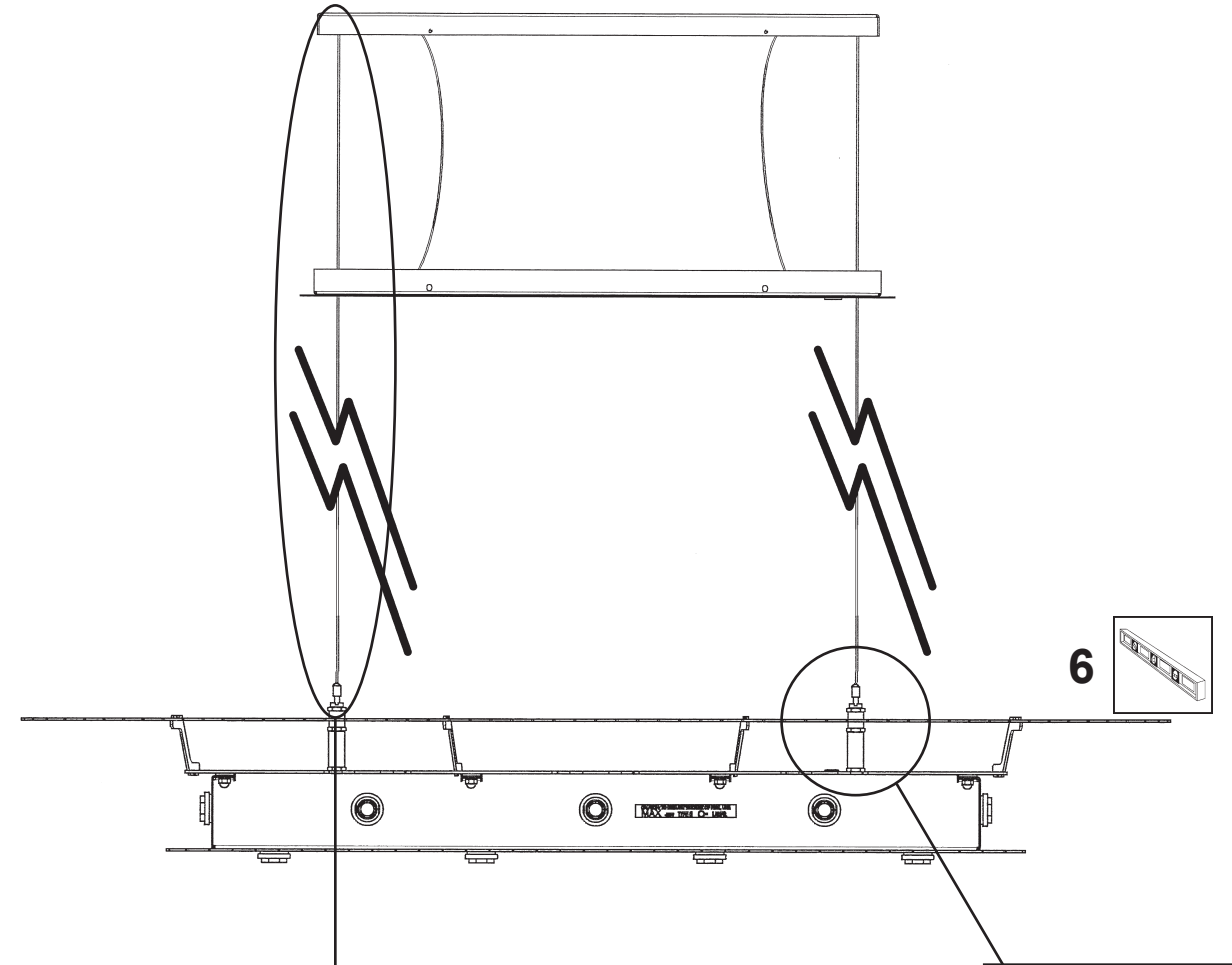
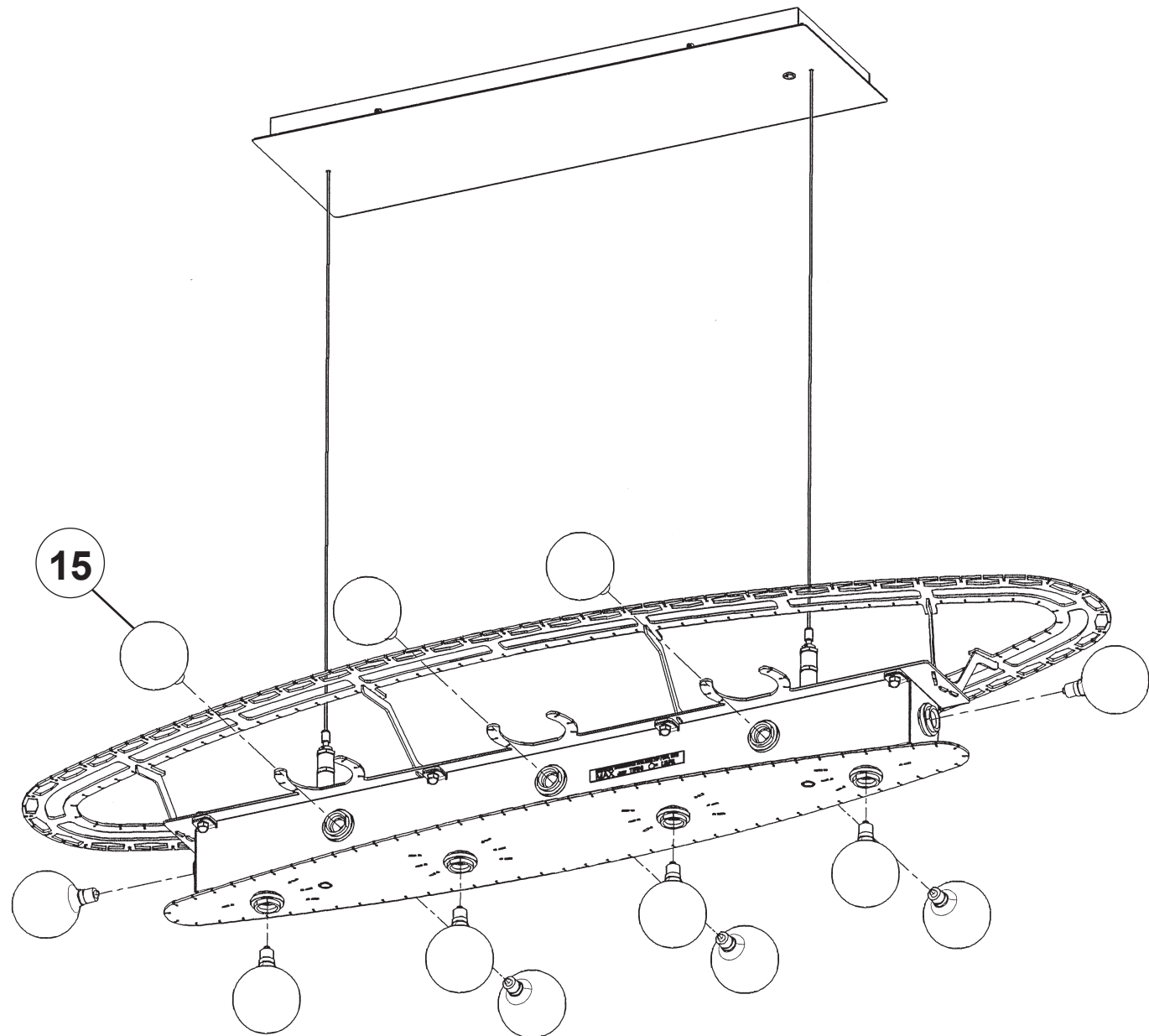
								
MAX 40 W	110-120 V							

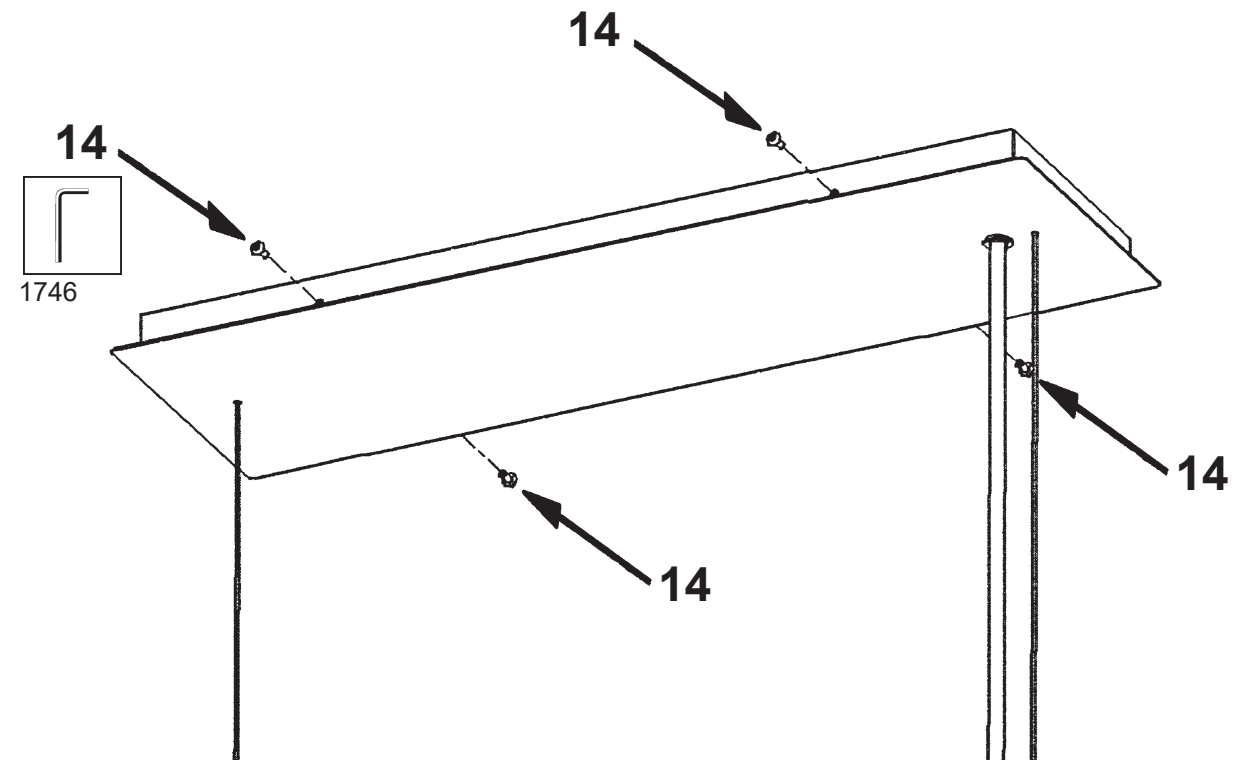
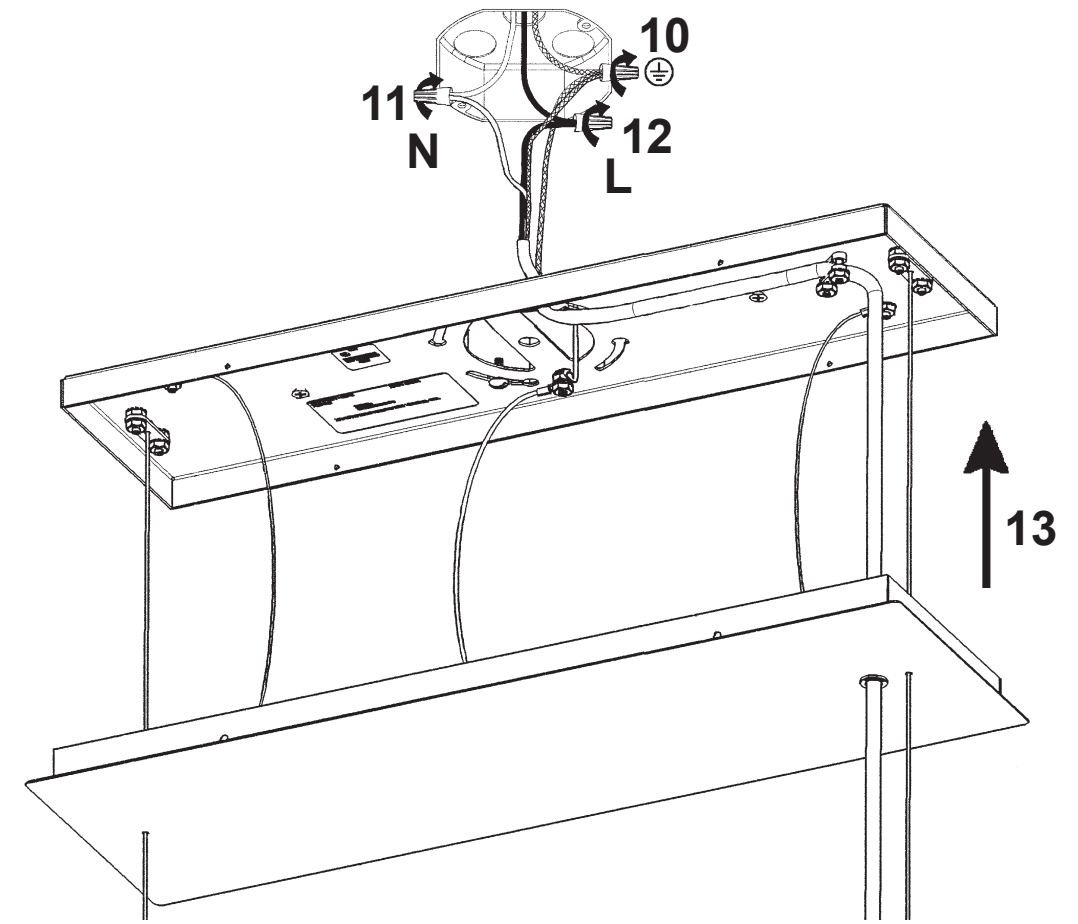
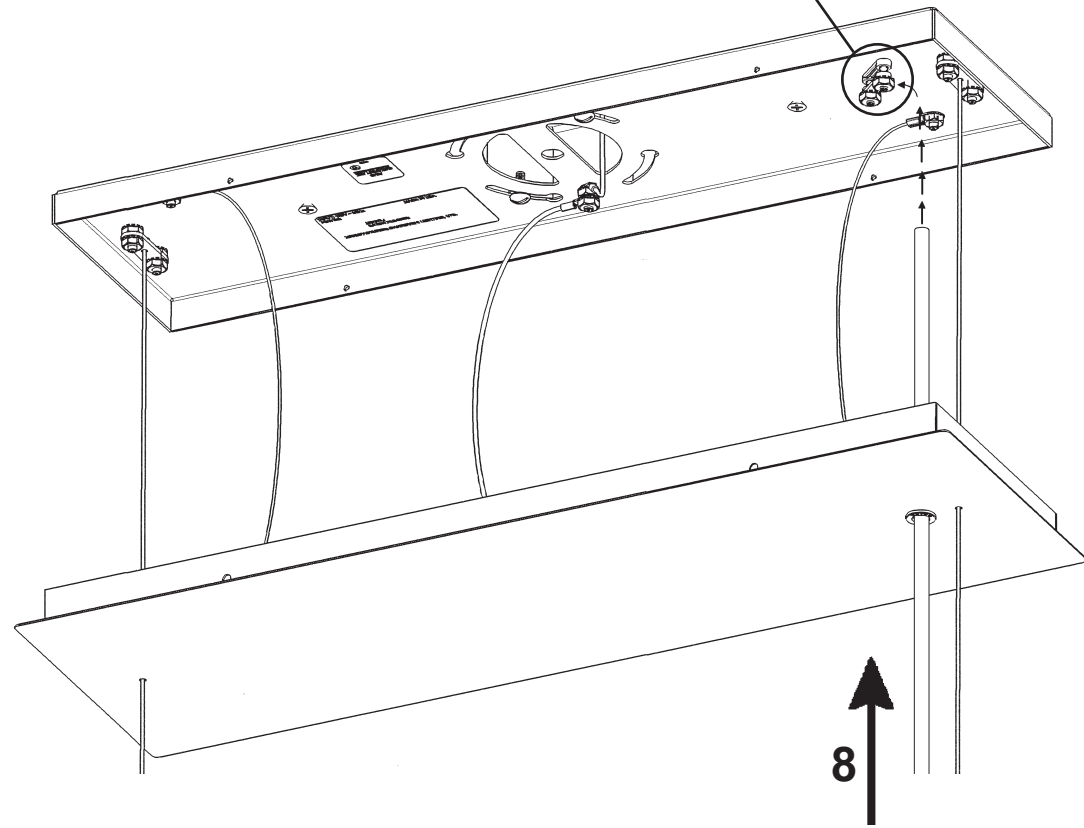
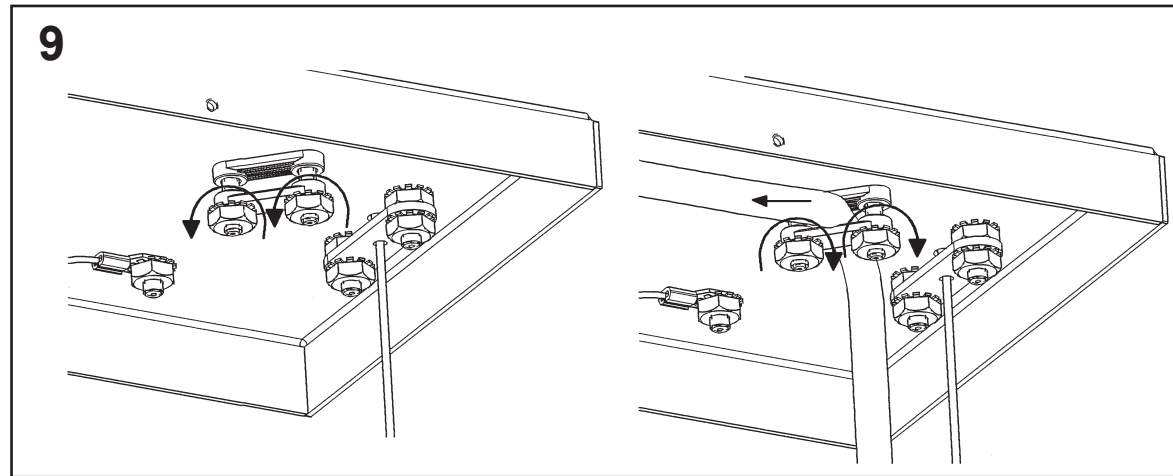




You will need 12 - G16-1/2 Bulbs
40 Watts Max

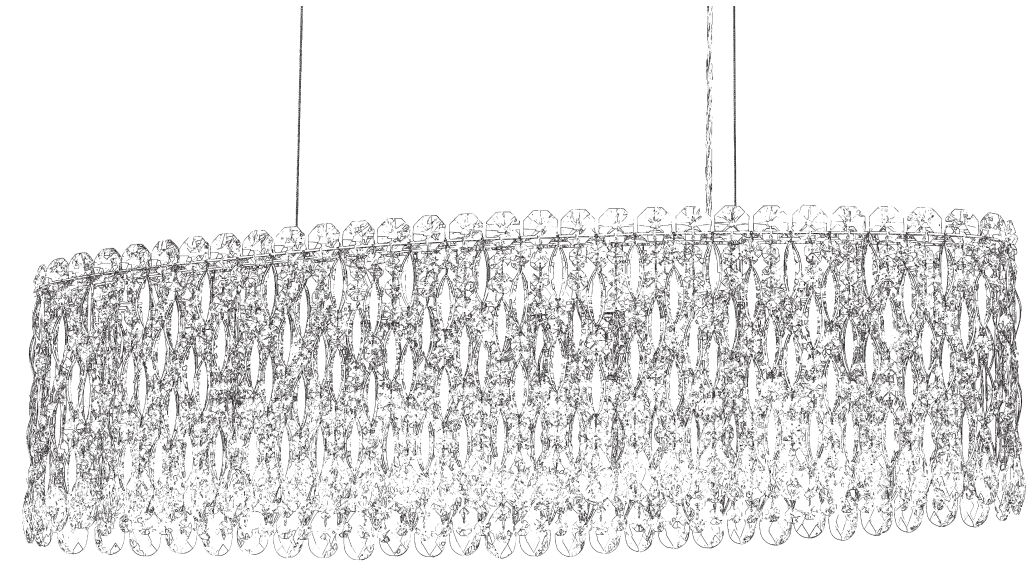
Install bulbs and be sure to
test fixture BEFORE trimming.





 **SCHONBEK** | 1870











SARELLA
RS8340N- __ __ S

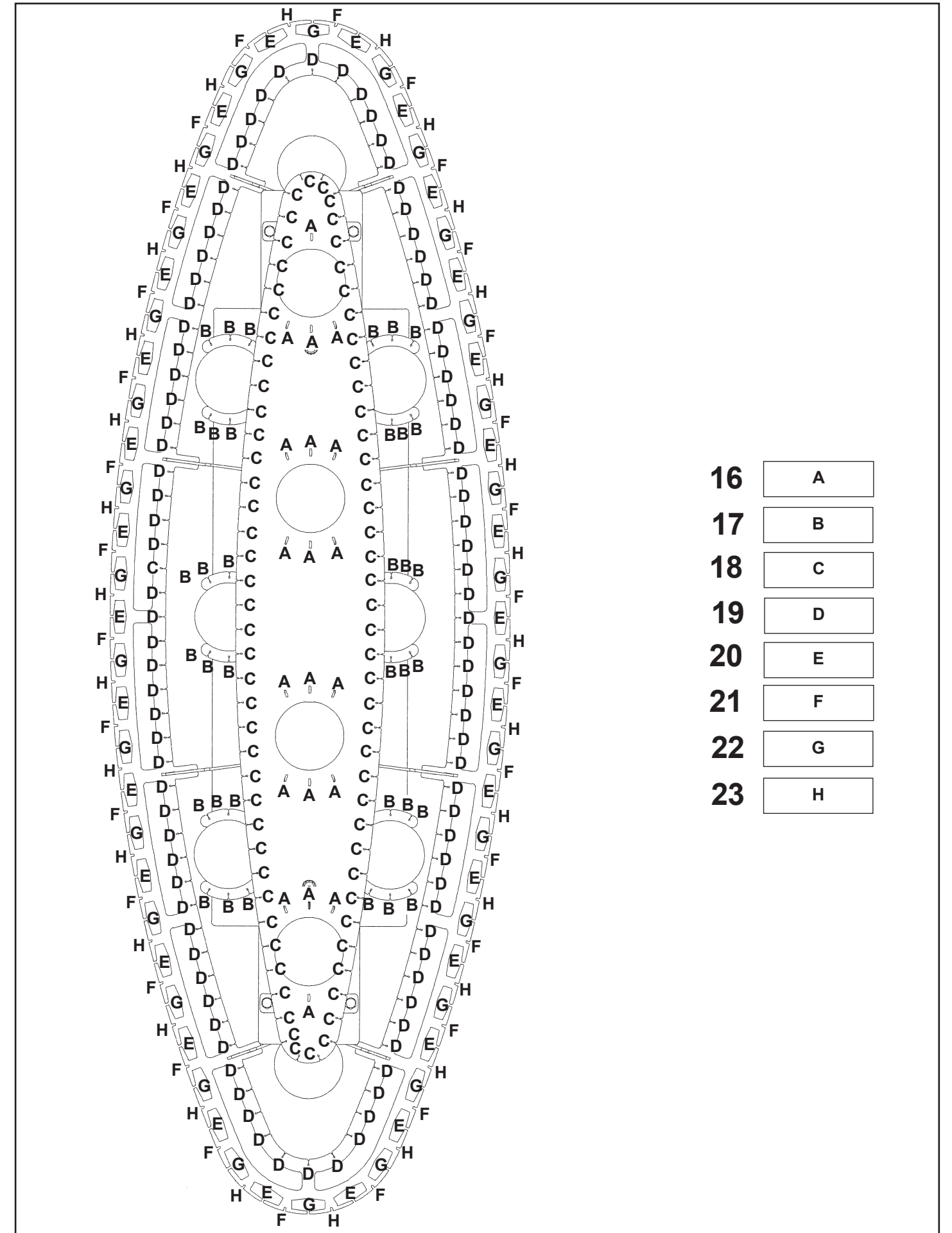
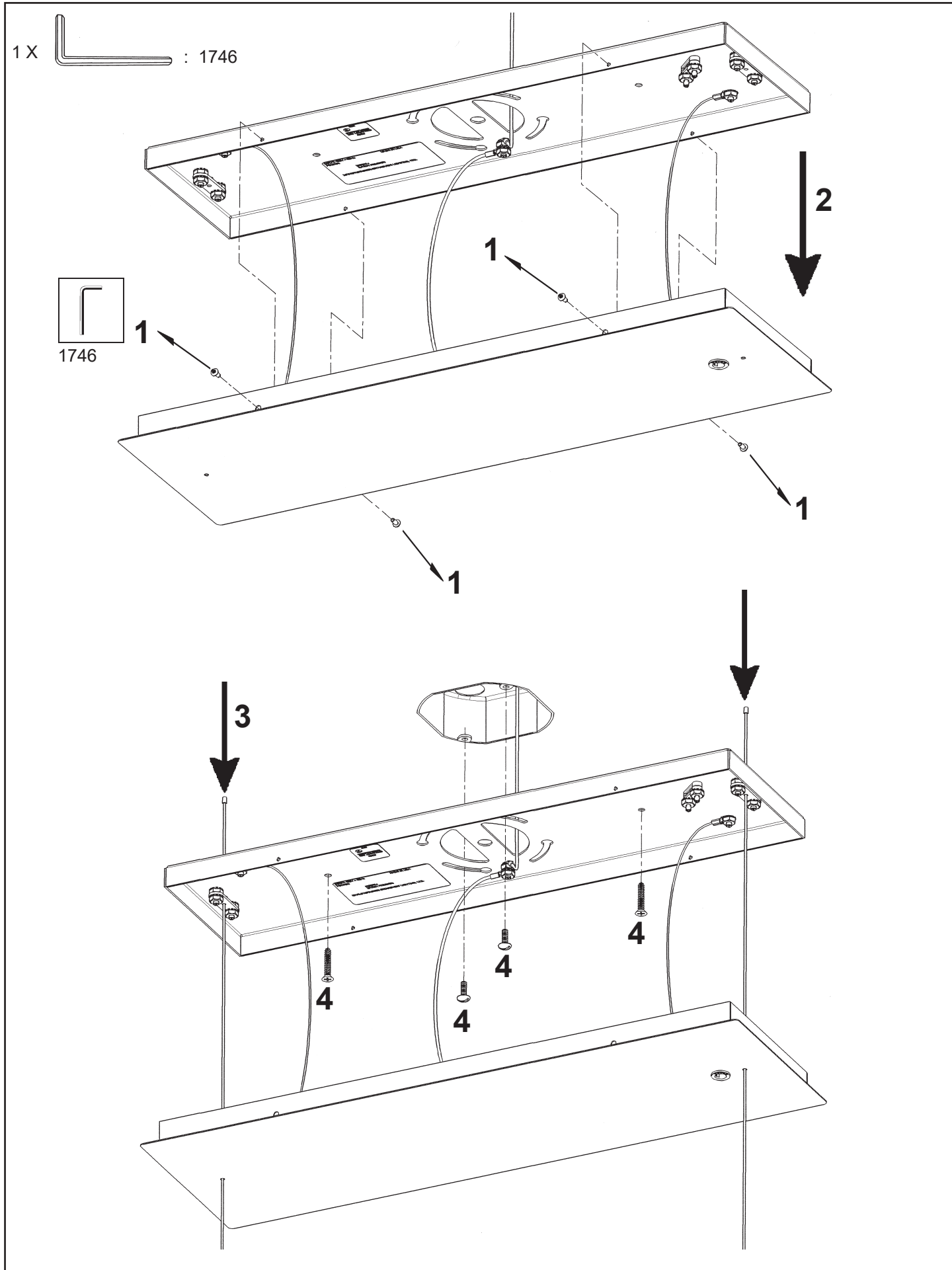


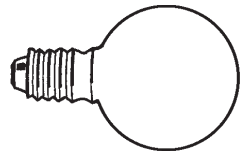
12 Lights
Length: 36"
Width: 12"
Height: 10"
Hanging Weight: 29lbs.

THIS DESIGN IS THE PROPRIETARY
TRADE DRESS/TRADEMARK OF
W SCHONBEK LLC.

 **SCHONBEK** | 1870

								
MAX 40 W	110-120 V							





You will need 12 - G16-1/2 Bulbs
40 Watts Max

Install bulbs and be sure to
test fixture BEFORE trimming.

