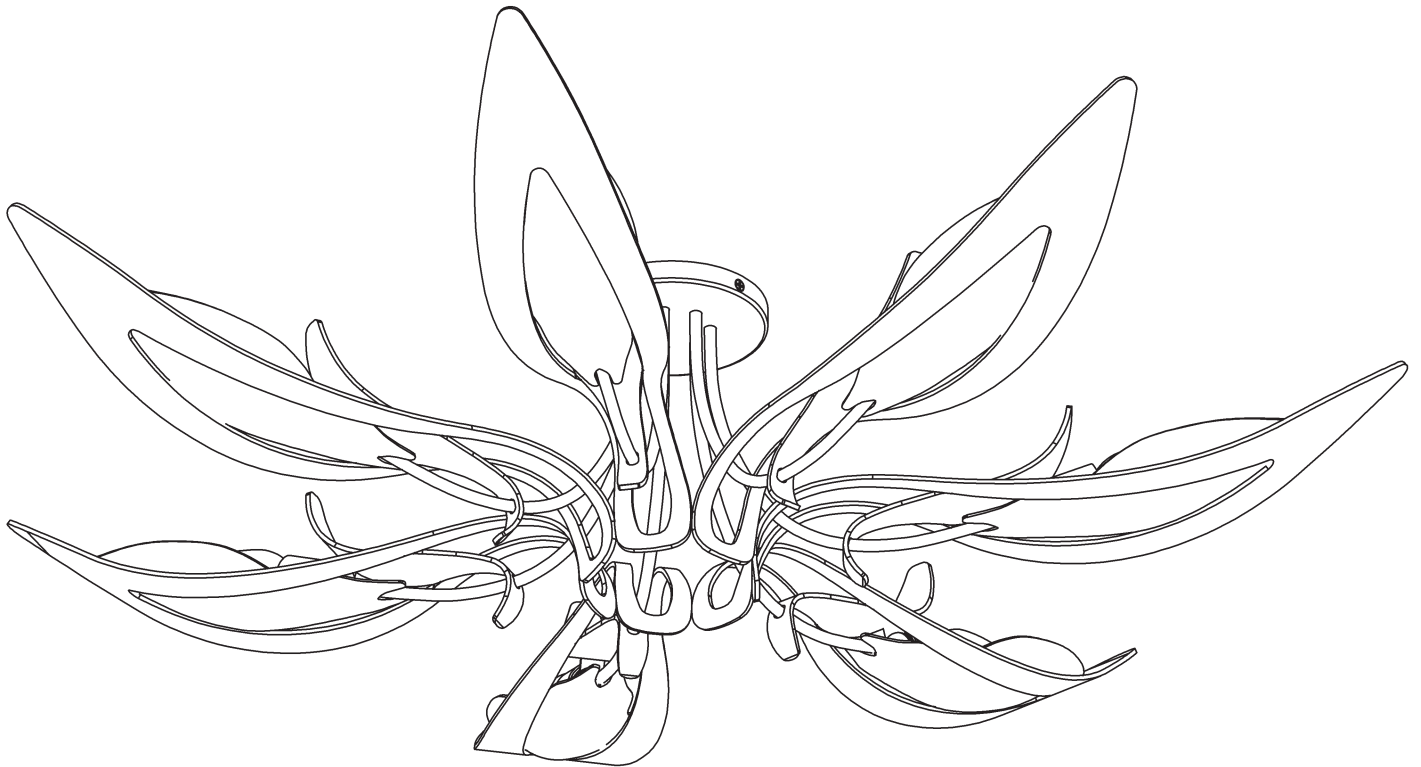


# ASSEMBLY & INSTALLATION INSTRUCTIONS

Parasol Semi Flush 121320

A1001



**Component Parts**

- A        Fixture**
- B        Mounting Bracket**
- C        Ground Screw**
- D        Cupped Washer**
- E        #8 Screws (4)**
- F        Socket (7)**
- G        Bulb (7) - Not Included**
- H        Glass (7)**



# ASSEMBLY & INSTALLATION INSTRUCTIONS

A1001

Parasol Semi Flush 121320

**CAUTION: FAILURE TO INSTALL THIS FIXTURE PROPERLY MAY RESULT IN SERIOUS PERSONAL INJURY OR DEATH AND PROPERTY DAMAGE.** We recommend installation by a licensed electrician. This product must be installed in accordance with applicable installation code(s), by a person familiar with the construction and operation of the product and the hazards involved.\*

**Caution:** Do not exceed maximum wattage noted on fixture. Use only recommended bulbs with fixture.

*Please Note: After installation extra hardware and accessories are possible; our kits are used on multiple products.*

## To Install Fixture (Figure 1)

**CAUTION: BE SURE POWER IS OFF AT THE MAIN BREAKER BOX PRIOR TO INSTALLATION.**

1. Carefully unpack the fixture (A) from the carton.
2. Mounting bracket (B) is shipped installed in fixture (A). Remove #8 screws (E) to separate. Retain screws for later use.

3. Using two machine screws (not provided) attach crossbar (B) to the electric box using oval holes to orient fixture.

**Note:** A new electric box comes with screws. When replacing a fixture, retain the existing screws for use with the new fixture.

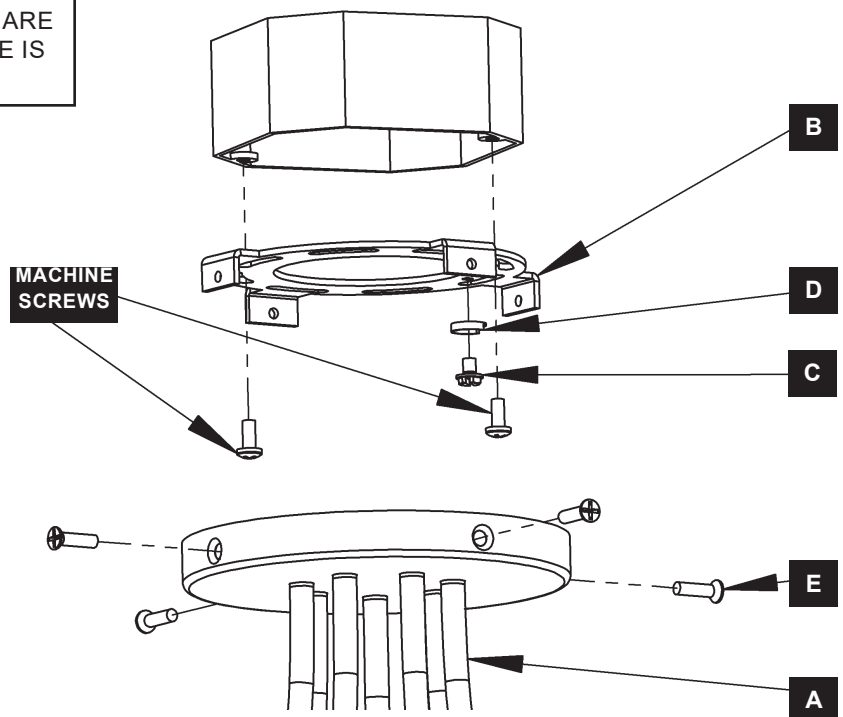
4. Attach a pigtail lead to bracket (B) using ground screw (C) and cupped washer (D).
5. Hold fixture (A) close to ceiling. Using suitable wire connectors (not provided), connect fixture wires to supply (white to white and black to black). Connect all ground wires (bare copper or green to bare copper or green).

**CAUTION: MAKE SURE WIRE CONNECTORS ARE TWISTED ON SECURELY, AND NO BARE WIRE IS EXPOSED.**

6. Carefully tuck all wires inside fixture (A), push fixture firmly against the ceiling.
7. Align holes in fixture (A) with holes in bracket (B) and secure with (4) #8 screws (E). For ease of install, start all screws before tightening completely.

**CAUTION: BE SURE NO WIRES ARE PINCHED BETWEEN THE CANOPY AND THE CEILING.**

8. See instructions on next page to complete installation.

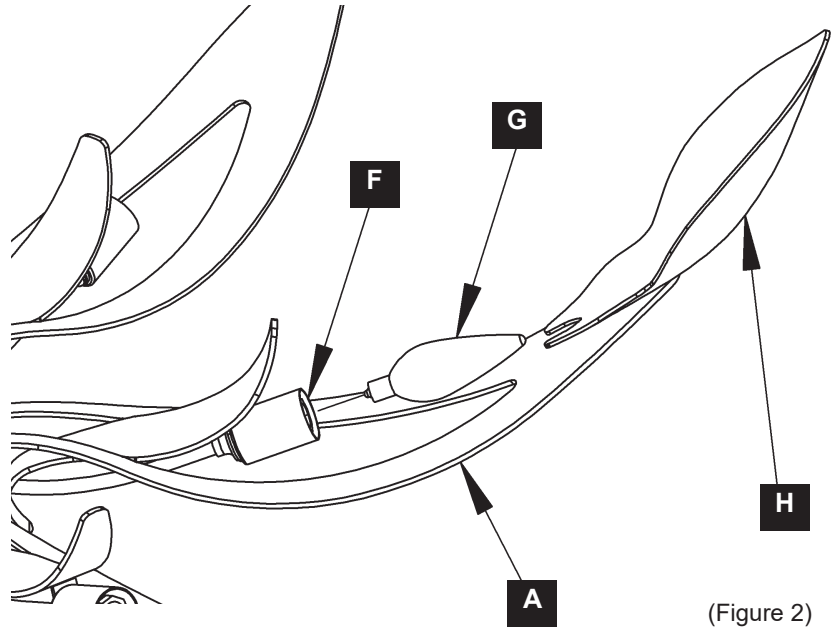


(Figure 1)

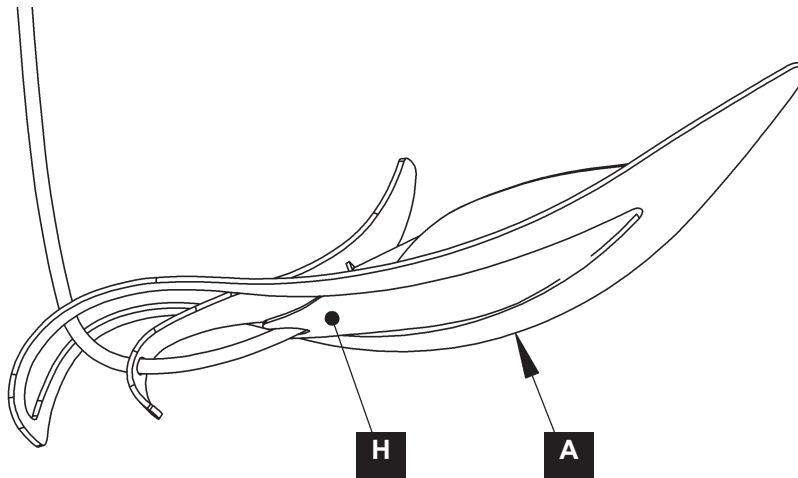
Parasol Semi Flush 121320

## To Install Glass (Figure 2)

1. Carefully unpack glass (H).
2. Install bulb (G), not included, into socket (F).
3. Slip glass (H) under bulb (G) and allow to rest in arm of fixture (A).
4. Repeat steps for remaining bulbs and glass.
5. Restore electricity at main breaker.



(Figure 2)



(Figure 3)

GLASS IN PLACE

If you need further assistance, or find that you are missing any parts, please contact the dealer from which you purchased this product. We hope you enjoy your fixture!

*\* Hubbardton Forge will not be liable for injury or damage caused by improper installation, lamping or use of this fixture.*