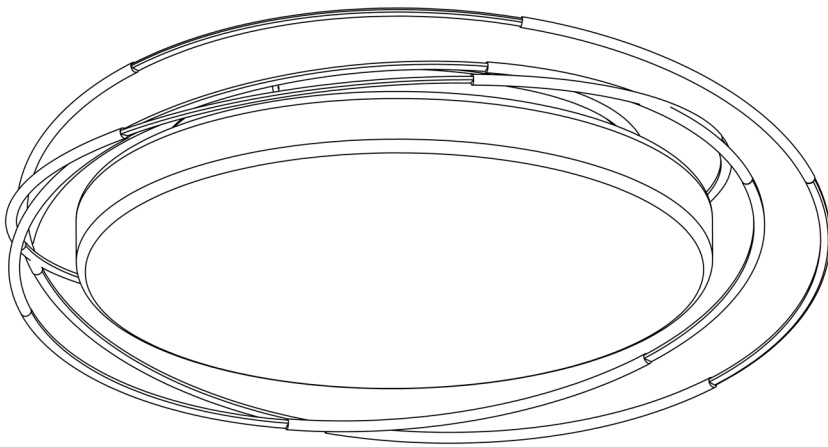


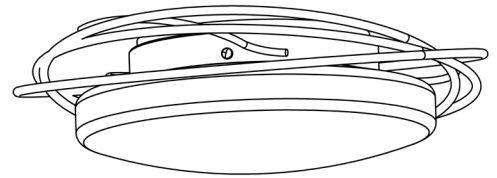
# ASSEMBLY & INSTALLATION INSTRUCTIONS

Nova Semi-Flush Small 122111 and Large 122112

A1063



122112 (SHOWN IN ILLUSTRATION)



122111



HUBBARDTON FORGE.

MODERN AMERICAN BLACKSMITHS | FINE, HAND CRAFTED LIGHTING  
CASTLETON, VERMONT USA | HUBBARDTONFORGE.COM

# ASSEMBLY & INSTALLATION INSTRUCTIONS

A1063

Nova Semi-Flush Small 122111 and Large 122112

---

## Component Parts

- A Fixture**
- B Mounting Plate**
- C Knurled Nut (4)**
- D Knurled Screw (6)**
- E LED**
- F Hex Nut (4)**
- G Glass**



# ASSEMBLY & INSTALLATION INSTRUCTIONS

A1063

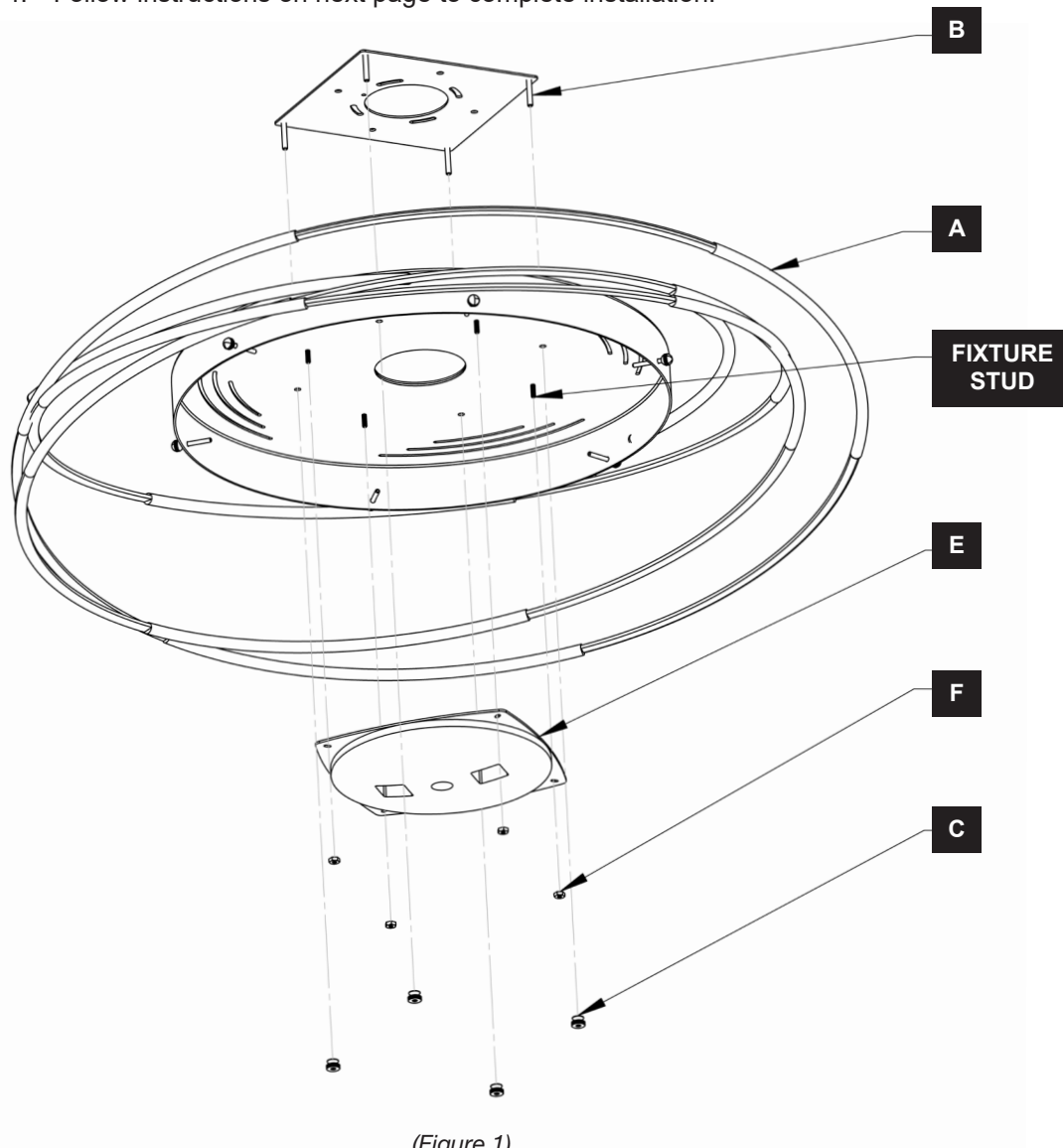
Nova Semi-Flush Small 122111 and Large 122112

**CAUTION: FAILURE TO INSTALL THIS FIXTURE PROPERLY MAY RESULT IN SERIOUS PERSONAL INJURY OR DEATH AND PROPERTY DAMAGE.** We recommend installation by a licensed electrician. This product must be installed in accordance with applicable installation code(s), by a person familiar with the construction and operation of the product and the hazards involved.\*

**Caution:** Do not exceed maximum wattage noted on fixture. Use only recommended bulbs with fixture.

## Unpack and disassemble fixture (Figure 1)

1. Carefully unpack the fixture (A) from the carton.
2. Unscrew hex nuts (F) from fixture and remove LED (E) and set parts aside for installation.
3. Unscrew knurled nuts (C) and slide mounting plate (B) out of fixture and set parts aside for installation.
4. Follow instructions on next page to complete installation.



(Figure 1)

# ASSEMBLY & INSTALLATION INSTRUCTIONS

A1063

Nova Semi-Flush Small 122111 and Large 122112

**CAUTION: FAILURE TO INSTALL THIS FIXTURE PROPERLY MAY RESULT IN SERIOUS PERSONAL INJURY OR DEATH AND PROPERTY DAMAGE.** We recommend installation by a licensed electrician. This product must be installed in accordance with applicable installation code(s), by a person familiar with the construction and operation of the product and the hazards involved.\*

**Caution:** Do not exceed maximum wattage noted on fixture. Use only recommended bulbs with fixture.

## Install Fixture and Glass *(Figure 2 and 3 - on following pages)*

1. Carefully unpack the fixture (A) from the carton.
2. Using two machine screws (not provided), fasten mounting plate (B) to the electric box using oval slots in center.

**Note:** Most electric boxes comes with screws. When replacing a fixture, retain the existing screws for use with the new fixture.

3. Pull ground wire through hole in fixture (A). Slide fixture (A) over studs on mounting plate (B) and push firmly to ceiling. Fasten with knurled nuts (C) and tighten until snug against fixture (A).
4. Raise LED (E) to center of fixture (A). See figure 2 for orientation.
5. Using suitable wire connectors (not provided); connect LED (E) wires to supply wires (white to white and black to black). Run a pigtail lead using ground wire on fixture (A) to the junction box and connect all ground wires (bare copper or green to bare copper or green).

**Caution:** Be sure wire connectors are twisted on securely, and no bare wire is exposed.

6. Slide LED (E) over studs on fixture (A) while pushing wires into junction box and push gently to fixture (A) . Fasten with hex nuts (F) and tighten against fixture (A) .
7. Unscrews knurled screws (D) until one or two threads are in fixture (A).
8. Raise glass (G) into fixture (A) . Screw knurled screws (D) in evenly until until secure in grooves of glass (G) .

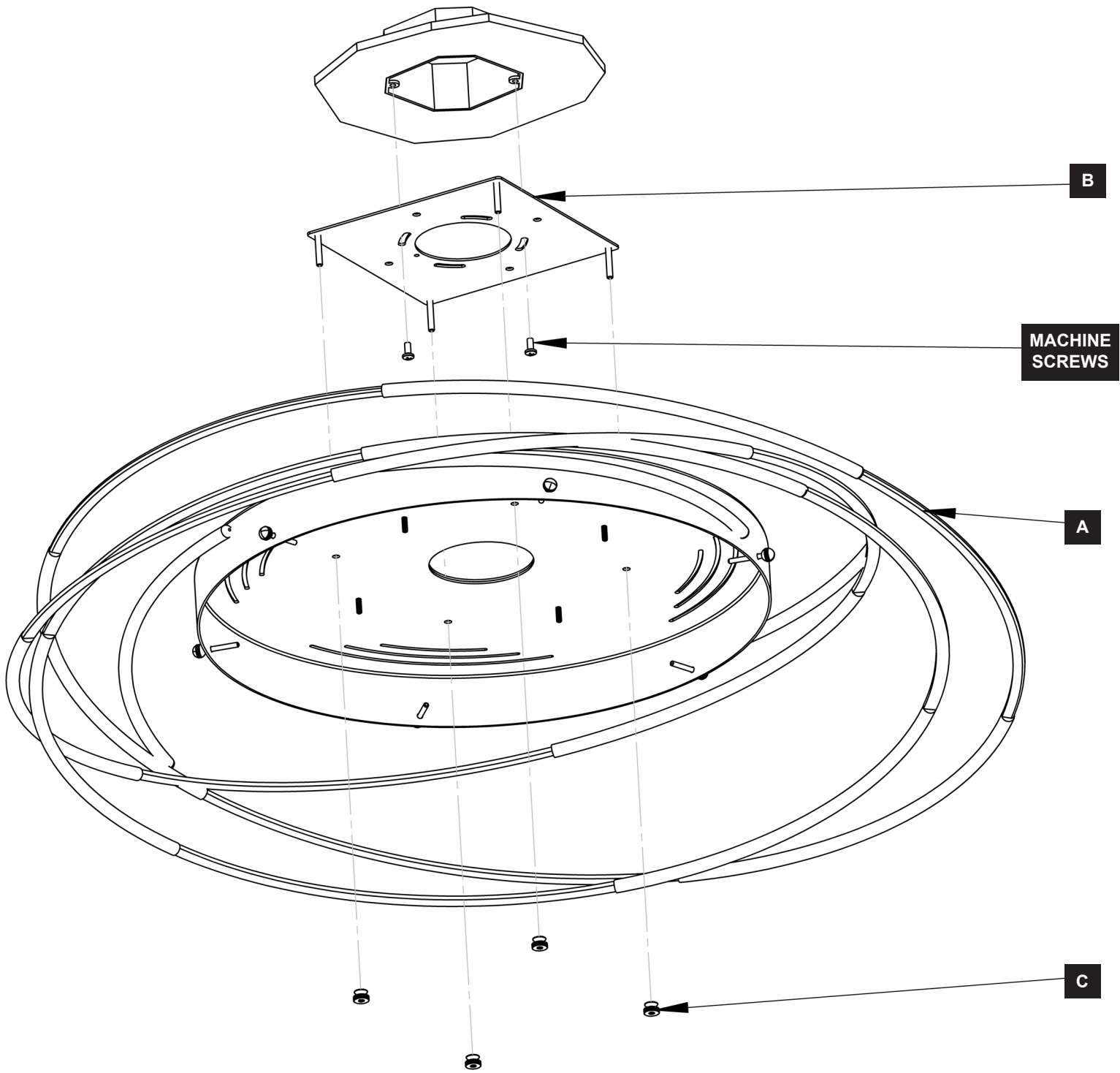
**Caution:** Do not overtighten screws as this could break glass.

9. Restore electricity at main breaker.

# ASSEMBLY & INSTALLATION INSTRUCTIONS

Nova Semi-Flush Small 122111 and Large 122112

A1063



(Figure 2)



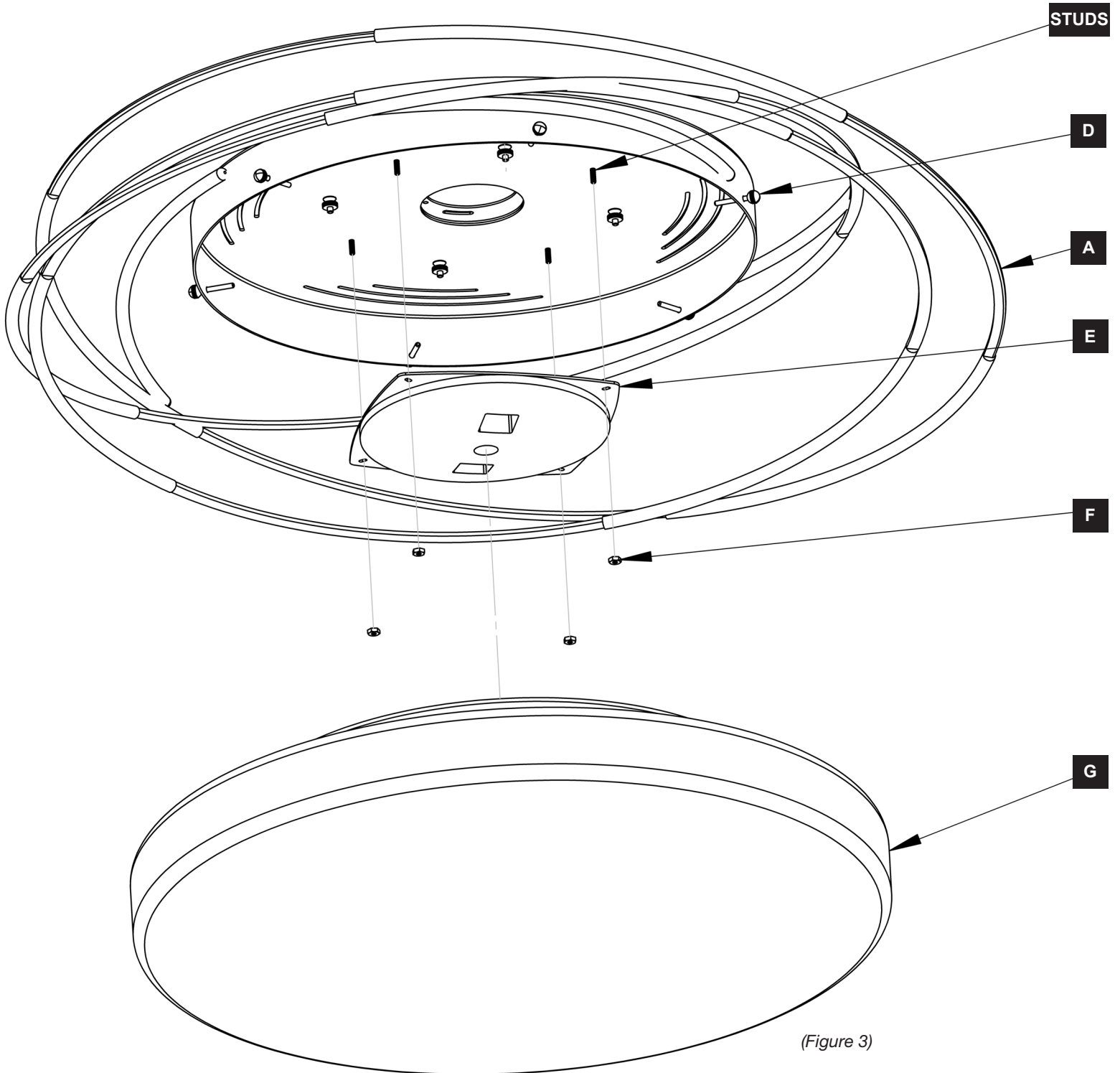
HUBBARDTON FORGE.

MODERN AMERICAN BLACKSMITHS | FINE, HAND CRAFTED LIGHTING  
CASTLETON, VERMONT USA | HUBBARDTONFORGE.COM

# ASSEMBLY & INSTALLATION INSTRUCTIONS

A1063

Nova Semi-Flush Small 122111 and Large 122112



(Figure 3)

If you need further assistance, or find that you are missing any parts, please contact the dealer from which you purchased this product. We hope you enjoy your fixture!

**\* Hubbardton Forge will not be liable for injury or damage caused by improper installation, lamping or use of this fixture.**