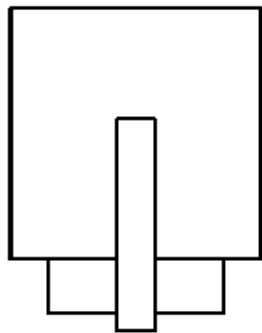


ASSEMBLY & INSTALLATION INSTRUCTIONS

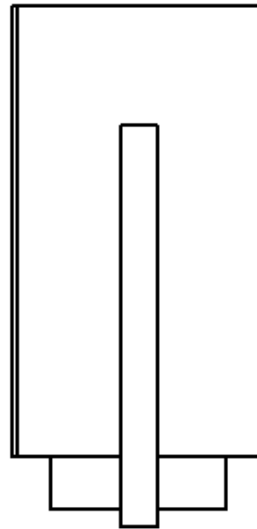
B576

Outdoor Arc Sconce Small 302048 and Medium 302049



302048

Shown in Illustrations



302049



HUBBARDTON FORGE.

MODERN AMERICAN BLACKSMITHS | FINE, HAND CRAFTED LIGHTING
CASTLETON, VERMONT USA | HUBBARDTONFORGE.COM

Component Parts

- A Fixture**
- B Mounting Bracket**
- C Anchors (4)**
- D #10 Screws (4)**
- E Ground Screw**
- F Cupped Washer**
- G Caulking Lip**
- H #8 Screws (4)**
- I Rubber Washer (2)**
- J Glass Washer (4)**
- K Knurled Nut (2)**
- L Threaded Stud (2)**
- M Socket**
- N Curved Glass**
- O Threaded Glass**
- P Bulb**



ASSEMBLY & INSTALLATION INSTRUCTIONS

B576

Outdoor Arc Sconce Small 302048 and Medium 302049

CAUTION: FAILURE TO INSTALL THIS FIXTURE PROPERLY MAY RESULT IN SERIOUS PERSONAL INJURY OR DEATH AND PROPERTY DAMAGE. We recommend installation by a licensed electrician. This product must be installed in accordance with applicable installation code(s), by a person familiar with the construction and operation of the product and the hazards involved.*

Caution: Do not exceed maximum wattage noted on fixture. Use only recommended bulbs with fixture.

To Install Fixture (Figures 1 & 2 - on next page)

1. Carefully unpack the fixture (A) from the carton.
2. Remove (4) #8 screws (H) holding mounting bracket (B) to the fixture (A). Retain screws (H) for later step. Remove mounting bracket (B) from fixture (A).
3. Place mounting bracket (B) over electrical box being sure to hold it level. Line up holes in mounting bracket holes in electrical box. With a pencil, mark location of mounting holes in mounting bracket on wall behind. Set bracket aside.
4. Drill 1/4" holes in locations marked on wall. Place tapered end of anchors (C) into holes and gently tap them flush to wall using a light weight hammer.
5. Thread wires in electrical box through hole in mounting bracket (B) while moving bracket into position. Using (2) screws (not provided), attach bracket securely to junction box.
Note: A new electric box comes with screws. When replacing an existing fixture, retain screws for use the new fixture
6. Using #10 screws (D), screw bracket securely to wall. Be careful not to over-tighten or strip anchors (C).
7. Attach a pigtail lead to mounting bracket (B) using ground screw (E) and cupped washer (F) found in kit bag.
8. Hold fixture (A) close to wall. Using suitable wire connectors (not provided), connect fixture wires to supply wires (black to black and white to white). Connect all ground wires (bare copper or green to bare copper or green) together.

CAUTION: MAKE SURE WIRE CONNECTORS ARE TWISTED ON SECURELY, AND NO BARE WIRE IS EXPOSED.

9. Apply a generous bead of a suitable caulking material (not provided) to caulking lip (G) on the fixture (Figure 2).
10. Place fixture (A) over mounting bracket (B). Secure with #8 screw (H) and rubber washer (I) on top and #8 screw (H) in bottom of fixture. Rubber washer (I) can be found in the kit bag.

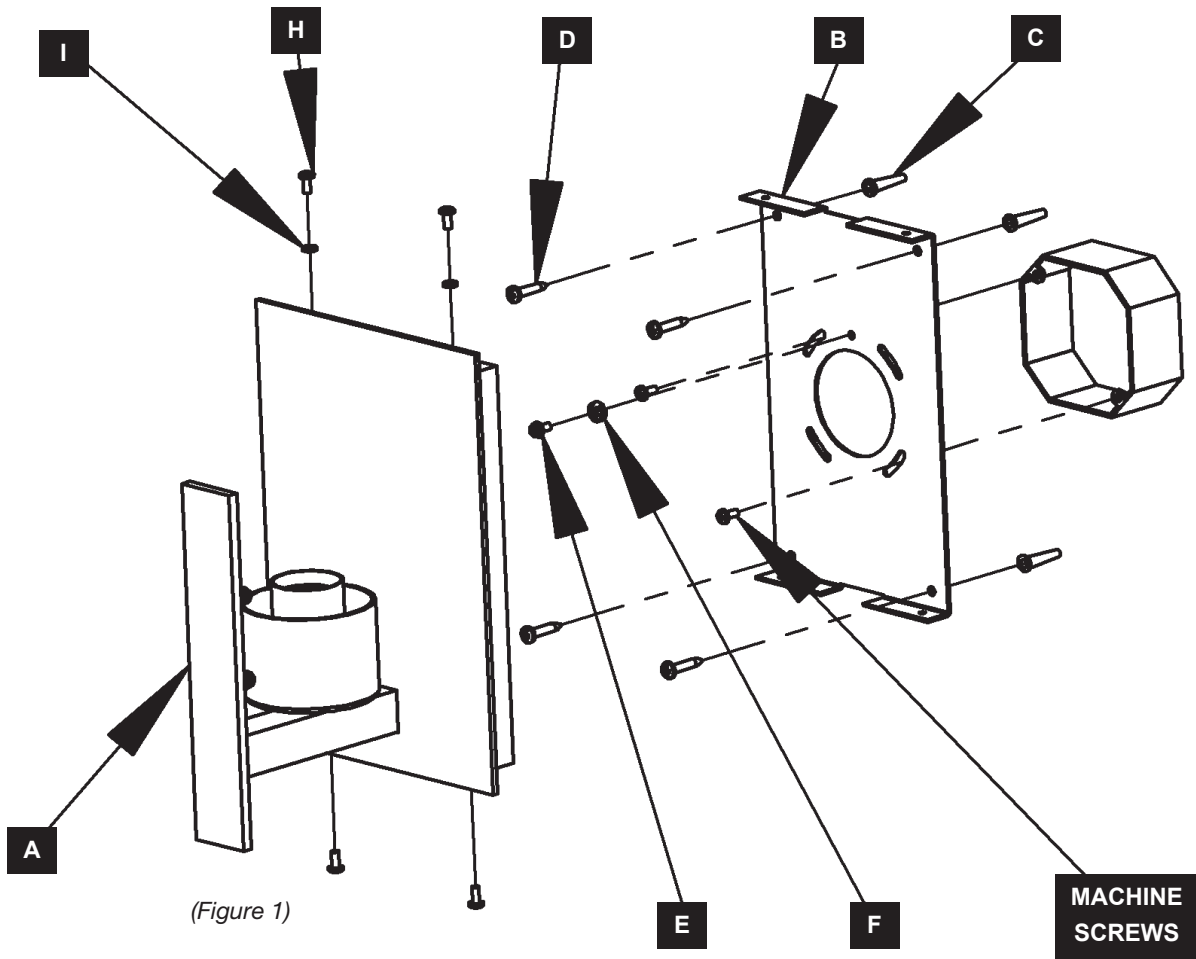
CAUTION: BE SURE NO WIRES ARE PINCHED BETWEEN THE WALL AND FIXTURE.

11. Follow steps on remaining pages to complete installation.

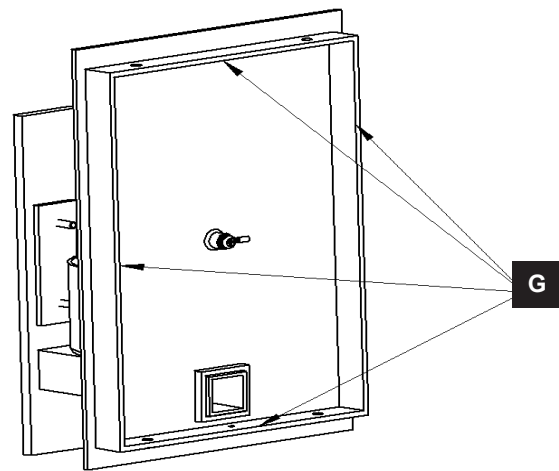
ASSEMBLY & INSTALLATION INSTRUCTIONS

B576

Outdoor Arc Sconce Small 302048 and Medium 302049



(Figure 1)



(Figure 2)



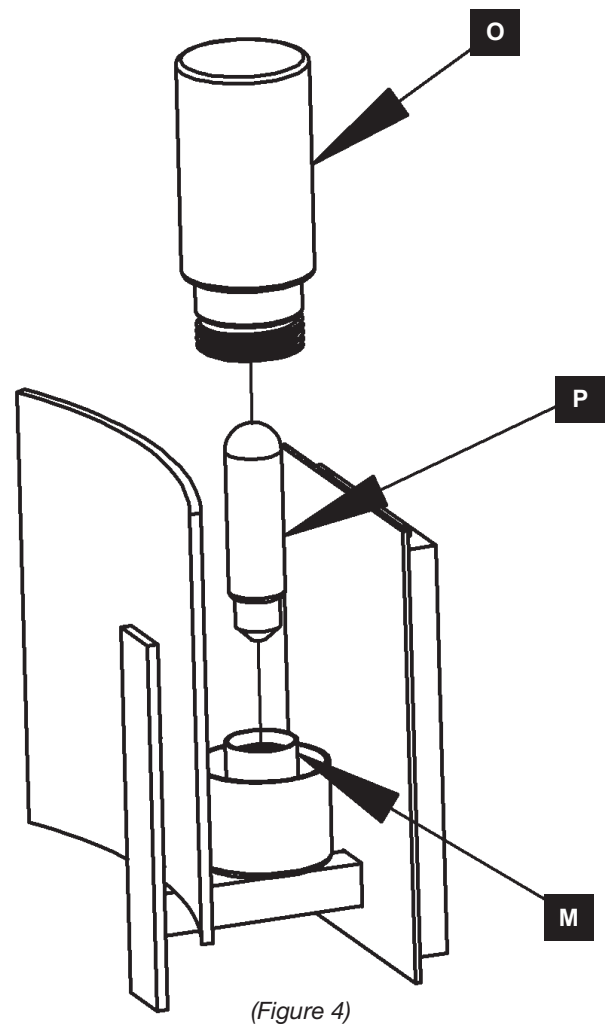
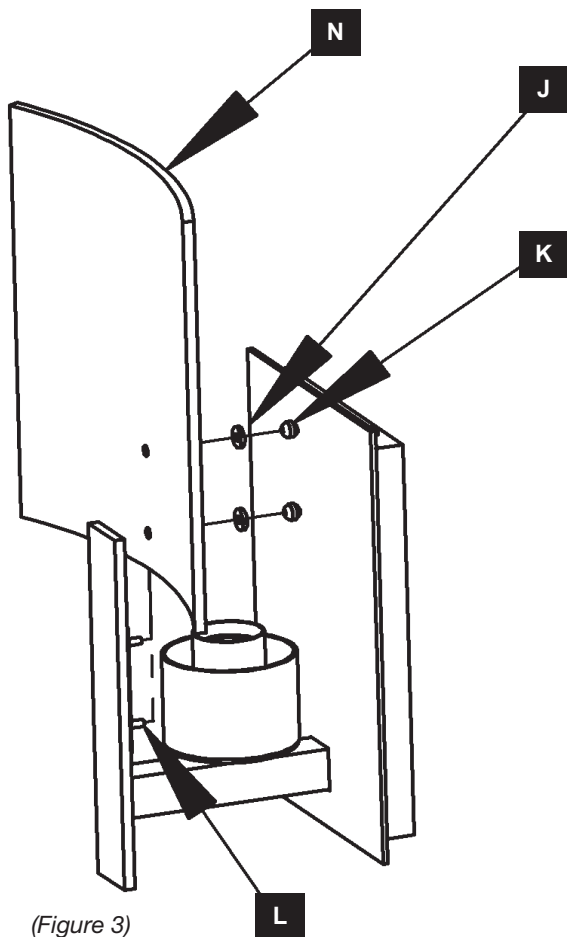
HUBBARDTON FORGE.

MODERN AMERICAN BLACKSMITHS | FINE, HAND CRAFTED LIGHTING
CASTLETON, VERMONT USA | HUBBARDTONFORGE.COM

Outdoor Arc Sconce Small 302048 and Medium 302049

Install Glass (Figure 3 & 4)

1. Glass washers (J) and knurled nuts (K) are shipped installed on the threaded studs (L). Remove washers (J) and knurled nuts (K) and set aside.
2. Unpack curved glass (N). Slide curved glass (N) over the threaded studs (L).
3. Secure curved glass (N) with glass washers (J) and knurled nuts (K). Glass washers (I) may not be needed, depending on glass (N) thickness.
4. Install bulb (P) (not included) into socket (M).
5. Unpack cylindrical glass (O). Place over bulb (P) and screw in until tight. Don't over tighten as this could break glass.
6. Restore electricity at main breaker.



If you need further assistance, or find that you are missing any parts, please contact the dealer from which you purchased this product. We hope you enjoy your fixture!

*** Hubbardton Forge will not be liable for injury or damage caused by improper installation, lamping or use of this fixture.**