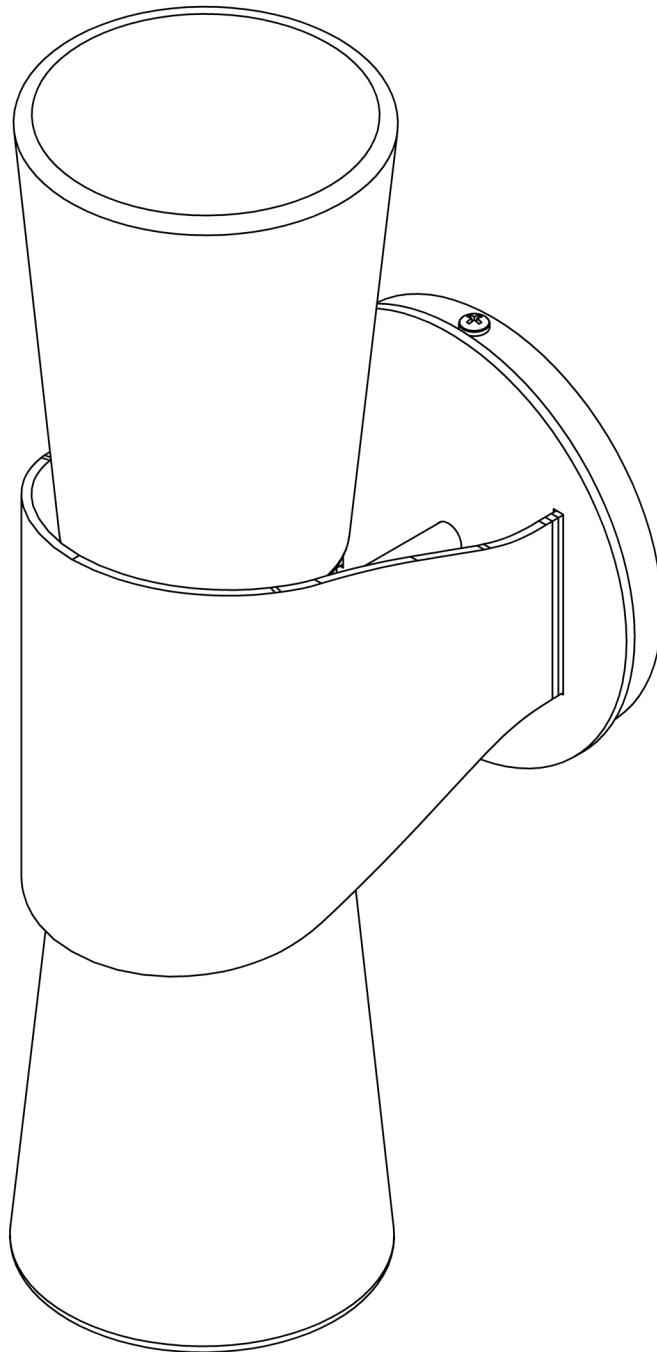


ASSEMBLY & INSTALLATION INSTRUCTIONS

B587

Bellis Sconce 204073



Bellis Sconce 204073

Component Parts

- A Fixture**
- B Mounting Bracket**
- C Ground Screw**
- D Cupped Washer**
- E #8 Screws (2)**
- F Socket (2)**
- G Bulb (Not Included) (2)**
- H Rubber Rings (2)**
- I Glass (2)**



Bellis Sconce 204073

CAUTION: FAILURE TO INSTALL THIS FIXTURE PROPERLY MAY RESULT IN SERIOUS PERSONAL INJURY OR DEATH AND PROPERTY DAMAGE. We recommend installation by a licensed electrician. This product must be installed in accordance with applicable installation code(s), by a person familiar with the construction and operation of the product and the hazards involved.*

Please Note: After installation extra hardware and accessories are possible; our kits are used on multiple products.

To Disassemble and Install Fixture (Figures 1)

CAUTION: BE SURE POWER IS OFF AT THE MAIN BREAKER BOX PRIOR TO INSTALLATION.

1. Carefully unpack fixture (A)
2. Unscrew #8 screws (E) from top and bottom of fixture (A) and remove mounting bracket (B).
3. Place mounting bracket (B) over electrical box and secure with machine screws (not provided).

NOTE: A NEW ELECTRIC BOX COMES WITH SCREWS. WHEN REPLACING A FIXTURE, RETAIN THE EXISTING SCREWS FOR USE.

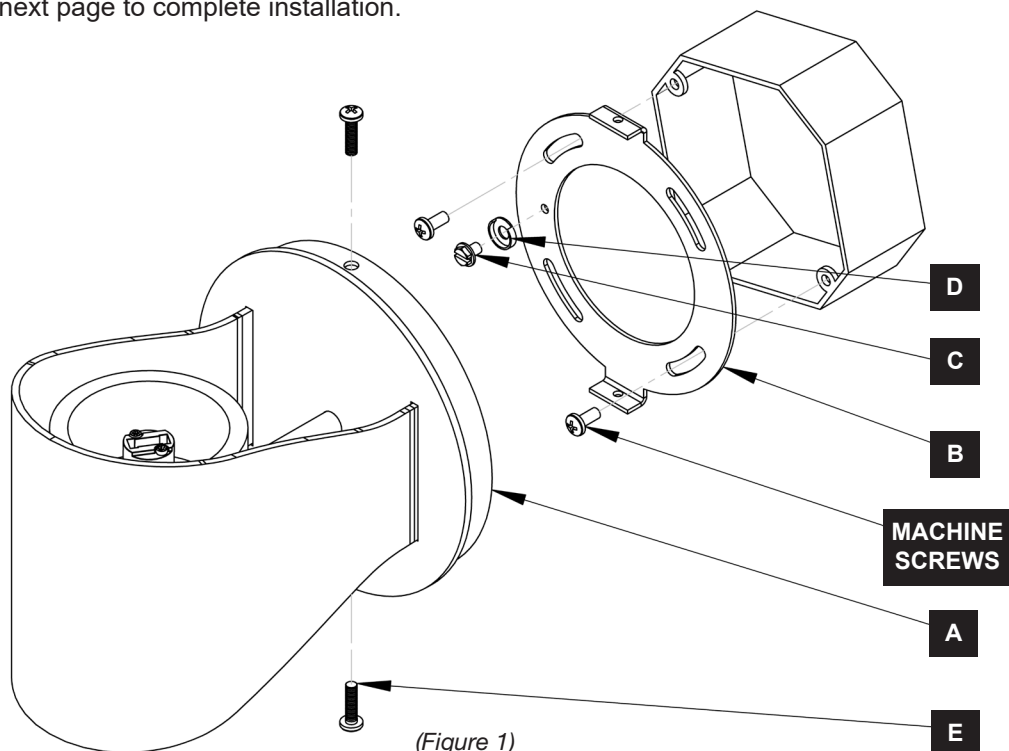
4. Attach a pigtail lead to mounting bracket (B) using ground screw (C) and cupped washer (D) found in kit bag.
5. Hold fixture (A) close to wall. Using suitable wire connectors (not provided), connect fixture wires to supply wires (white to white and black to black). Connect all ground wires (bare copper or green to bare copper or green) together.

CAUTION: MAKE SURE WIRE CONNECTORS ARE TWISTED ON SECURELY, AND NO BARE WIRE IS EXPOSED.

6. Place fixture (A) over mounting bracket (B). Thread #8 screws (E) into top and bottom holes until fixture is secure.

NOTE: BE SURE NO WIRES ARE PINCHED BETWEEN FIXTURE AND WALL.

7. Follow instructions on next page to complete installation.



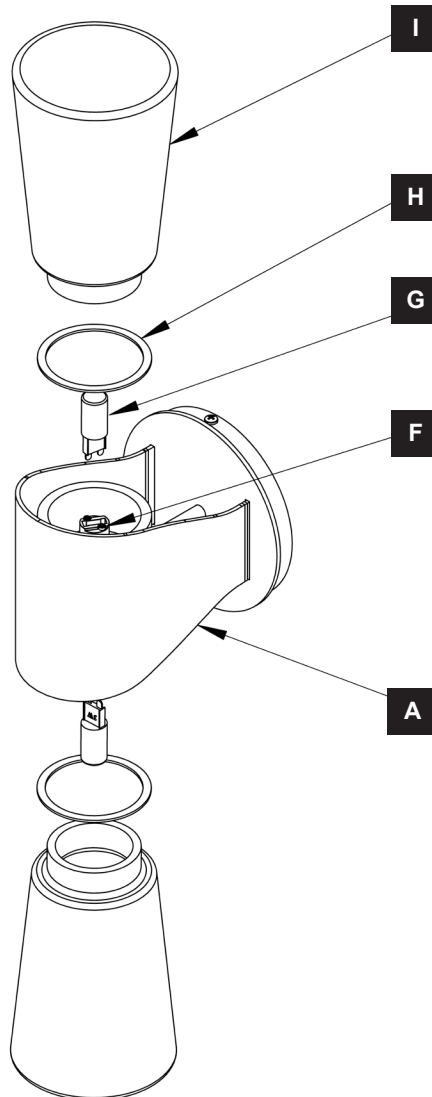
Bellis Sconce 204073

To Install Glass (Figure 2)

1. Install bulb (G) in top socket (F)
2. Slide rubber ring (H) over threaded section of glass (I).
3. Place glass (I) over bulb (G) and thread into fixture (A).

Caution: Be careful not to overtighten as this could break glass.

4. Repeat for bottom socket (F) and glass (I)
5. Restore electricity at main breaker.



(Figure 2)

If you need further assistance, or find that you are missing any parts, please contact the dealer from which you purchased this product. We hope you enjoy your fixture!

** Hubbardton Forge will not be liable for injury or damage caused by improper installation, lamping or use of this fixture.*



HUBBARDTON FORGE.

MODERN AMERICAN BLACKSMITHS | FINE, HAND CRAFTED LIGHTING
CASTLETON, VERMONT USA | HUBBARDTONFORGE.COM