

ASSEMBLY & INSTALLATION INSTRUCTIONS



ASSEMBLY & INSTALLATION INSTRUCTIONS

COMPONENT PARTS

- A Canopy
- B Cap
- C Cover Plate
- D #10 Screws (4)
- E Anchors (4)
- F #8 Screws (4)
- G Gripper Plate
- H Fixture
- I Ground Screw
- J Cupped Washer
- K Gripper (4)
- L Supply/Support Cables (4)

ASSEMBLY & INSTALLATION INSTRUCTIONS

CAUTION: FAILURE TO INSTALL THIS FIXTURE PROPERLY MAY RESULT IN SERIOUS PERSONAL INJURY OR DEATH AND PROPERTY DAMAGE. We recommend installation by a licensed electrician. This product must be installed in accordance with applicable installation code(s), by a person familiar with the construction and operation of the product and the hazards involved.*

Caution: Do not exceed maximum wattage noted on fixture. Use only recommended bulbs with fixture.

Please Note: After installation extra hardware and accessories are possible; our kits are used on multiple products.

To Install Fixture (Figures 1 & 2 - on following page)

CAUTION: BE SURE POWER IS OFF AT THE MAIN BREAKER BOX PRIOR TO INSTALLATION.

CAUTION: WHEN UNBOXING THIS FIXTURE **DO NOT** GRAB THE FIXTURE BY THE CORAL ACCENT.

CAUTION: TWO PEOPLE ARE NEEDED TO INSTALL THIS FIXTURE SAFELY

1. Canopy (A) is located in box in center of coral fixture. Remove and unpack. It is recommended to not remove the fixture (frame and accent) at this time. This is to prevent accidental damage to the coral accent.
2. Unscrew cap (B) from nipple and remove cover plate (C) from canopy (A).
3. Unscrew four #8 screws (F) from standoffs that attach gripper plate (G) to canopy assembly. Remove gripper plate with drivers connected and set aside.
4. Place canopy (A) over the electrical box. Line up holes in canopy with holes in electrical box. With a pencil, mark the location of mounting holes needing anchors in canopy on ceiling. Set canopy (A) aside.
5. Drill 1/4" holes in the locations marked on the ceiling. Place the tapered end of the anchors (E) into the holes and gently tap them flush to the ceiling using a light weight hammer.
6. Thread supply wires through hole in canopy (A). Raise canopy (A) to electric box and secure with two machine screws (not provided).

Note: A new electric box comes with screws. When replacing a fixture, retain the existing screws for use with the new fixture.

7. Install #10 screws (D) into holes with anchors (E). Be sure not to over tighten and strip the anchor (E).
8. Attach a pigtail lead to the canopy (A) using ground screw (I) and cupped washer (J).
9. While holding gripper plate (G) and drivers close to canopy (A), use suitable wire connectors (not provided) to connect driver wires to supply wires (white to white and black to black).

Caution: Make sure wire connectors are twisted on securely and no bare wires are exposed.

10. Remove backing from adhesive squares on drivers. Attach drivers to inside of canopy being sure to avoid areas where gripper terminals will be located.
11. Reattach gripper plate (G) to canopy (A) using four #8 screws (F).
12. Hold cover plate (C) close to canopy (A). Connect all ground wires (bare copper or green to bare copper or green) together.
13. Install cover plate (C) over nipple and secure in place with cap (B).
14. Carefully unpack fixture (H) from the carton. **DO NOT** grab fixture by the coral accent. Grasp fixture by frame only. Grasp fixture frame, not accent and flip fixture and accent over so accent is underneath the frame.

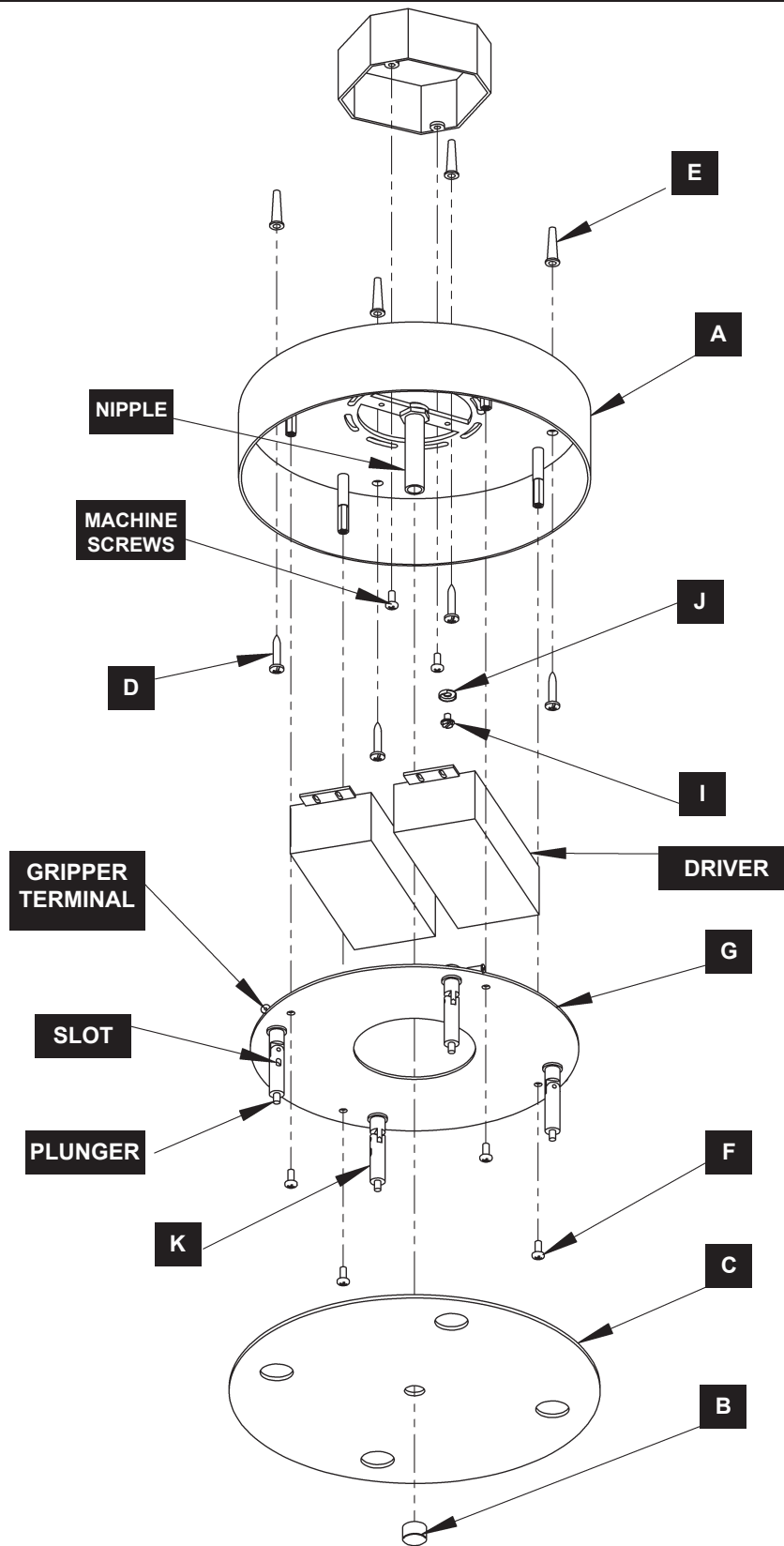
ASSEMBLY & INSTALLATION INSTRUCTIONS

15. Align (A+ & B+) and (A- & B-) labels on the fixture (G) with the (A+ & B+) and (A- & B-) labels on canopy cover plate (C).
16. Insert supply/support cable (L) through gripper (K) on fixture (H) until cable sticks through slot in side of gripper (K).
17. Repeat step 16 for the remaining supply/support cables (L).
18. Adjust fixture (H) to desired height by pressing in the plunger on the gripper (K) and pushing/pulling the supply/support cables (L) as necessary.
19. Once desired fixture height is achieved, cut excess cable (L) as close to the gripper (K) as possible.

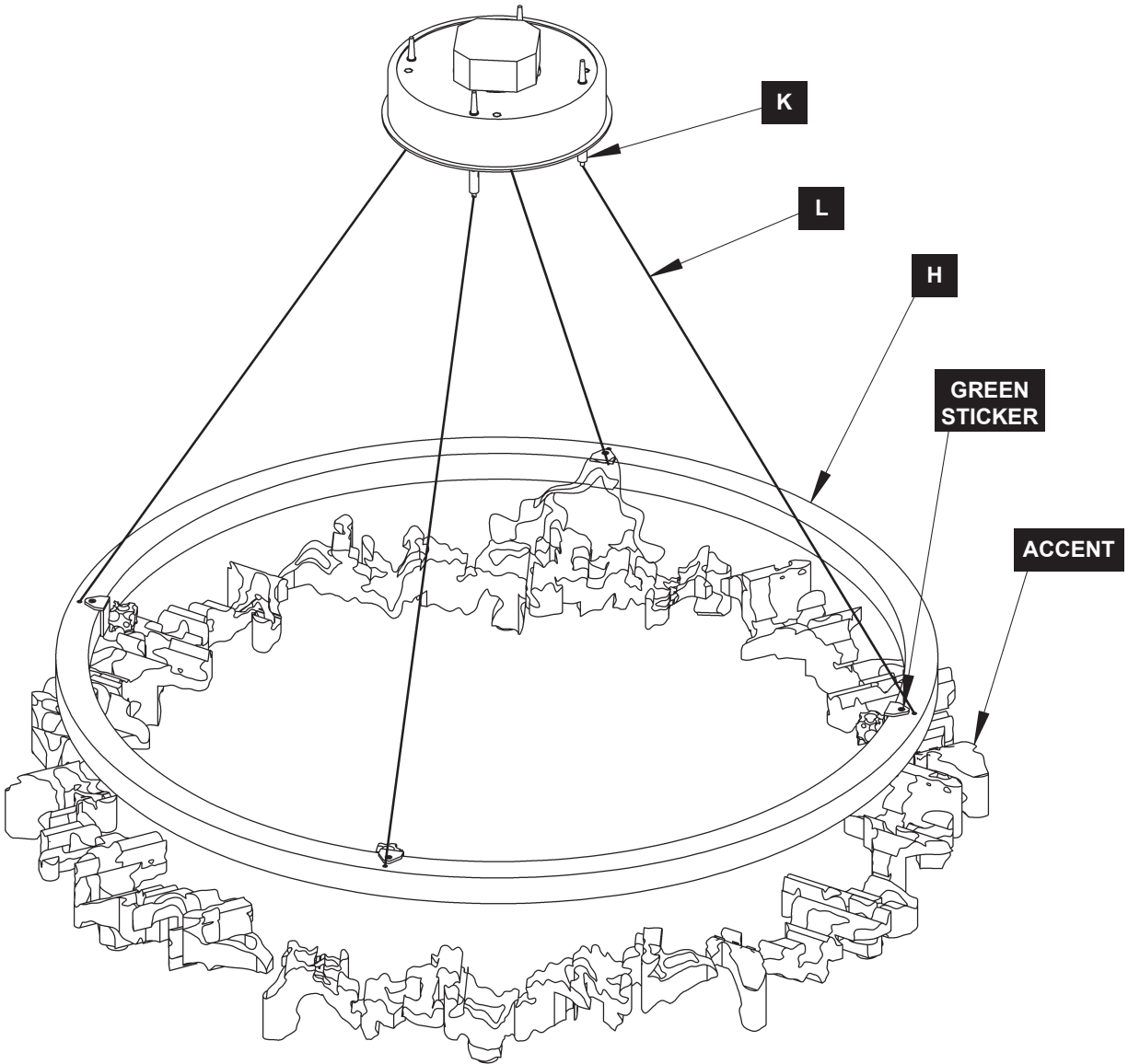
Note: *Once cables are cut the fixture can no longer be lowered.*

20. Green stickers are placed over the screws that attach the coral accent to the frame, these can be removed at this time.
21. Restore electricity at main breaker.

ASSEMBLY & INSTALLATION INSTRUCTIONS



ASSEMBLY & INSTALLATION INSTRUCTIONS



If you need further assistance, or find that you are missing any parts, please contact the showroom from which you purchased this product. We hope you enjoy your fixture!

**ART+ALCHEMY will not be liable for injury or damage caused by improper installation, lamping or use of this fixture.*