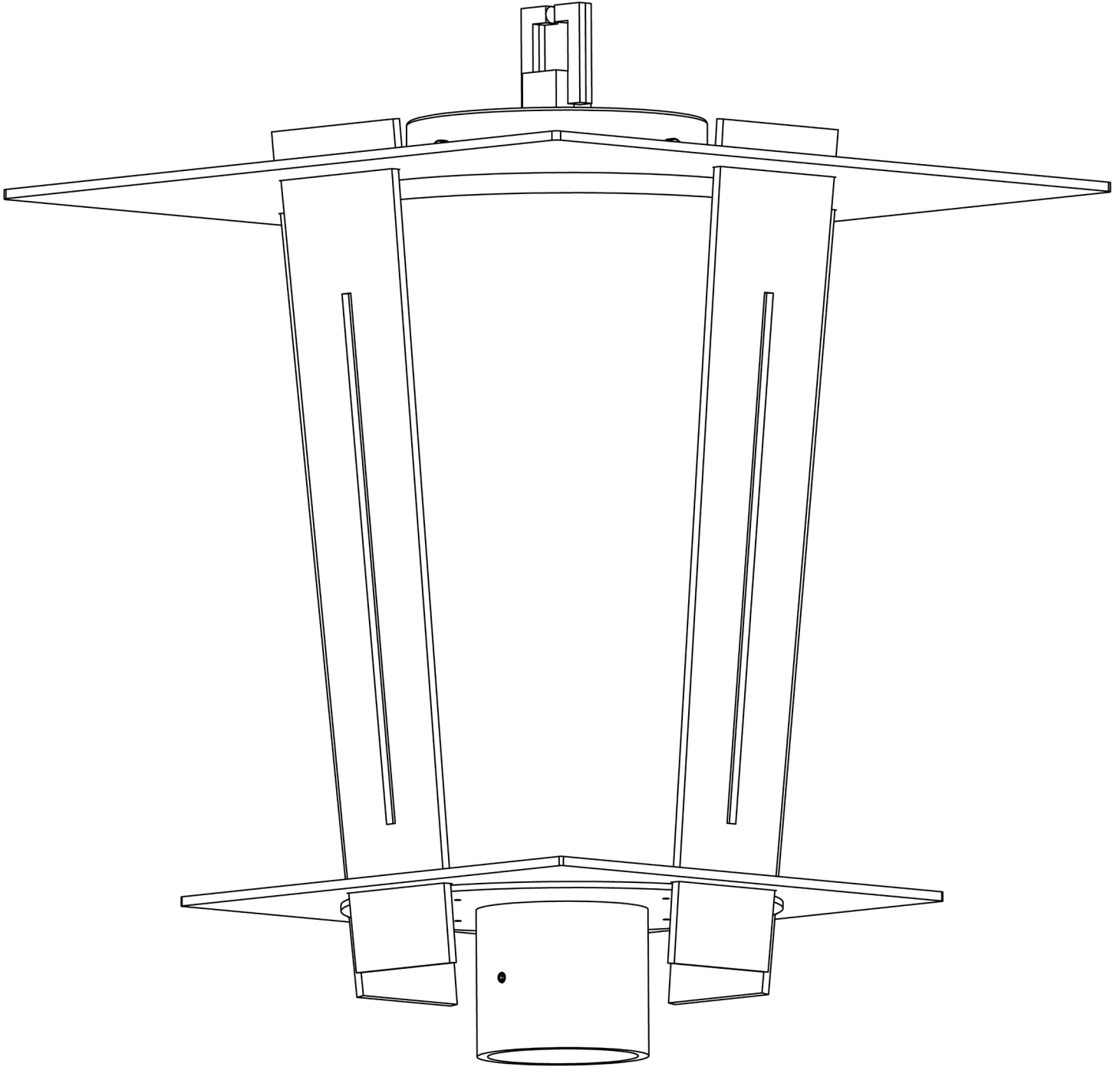


ASSEMBLY & INSTALLATION INSTRUCTIONS

G42

Linea Outdoor Post Light 342026



Component Parts

NOTE: Items A through F are options sold and shipped separately to allow for various site situations and shown here for reference during installation as applicable.

- A Post / Pier Mount - Optional and sold separately**
- B J Bolt (4) - Included with optional post/pier mount**
- C Flat Washer (4) - Included with optional post/pier mount**
- D Split Washer (4) - Included with optional post/pier mount**
- E Hex Nut (4) - Included with optional post/pier mount**
- F Cover Cap - Optional and sold separately**
- G Set Screw**
- H Fixture**
- I Removable Plate**
- J Mounting Screws (4)**
- K Post Mount**
- L Socket**
- M Bulb**
- N Glass**
- O Thumb Screws**



CAUTION: FAILURE TO INSTALL THIS FIXTURE PROPERLY MAY RESULT IN SERIOUS PERSONAL INJURY OR DEATH AND PROPERTY DAMAGE. We recommend installation by a licensed electrician. This product must be installed in accordance with applicable installation code(s), by a person familiar with the construction and operation of the product and the hazards involved.*

Caution: Do not exceed maximum wattage noted on fixture. Use only recommended bulbs with fixture.

Please Note: After installation extra hardware and accessories are possible; our kits are used on multiple products.

Disassemble Fixture (Figure 1)

CAUTION: BE SURE POWER IS OFF AT THE MAIN BREAKER BOX PRIOR TO INSTALLATION.

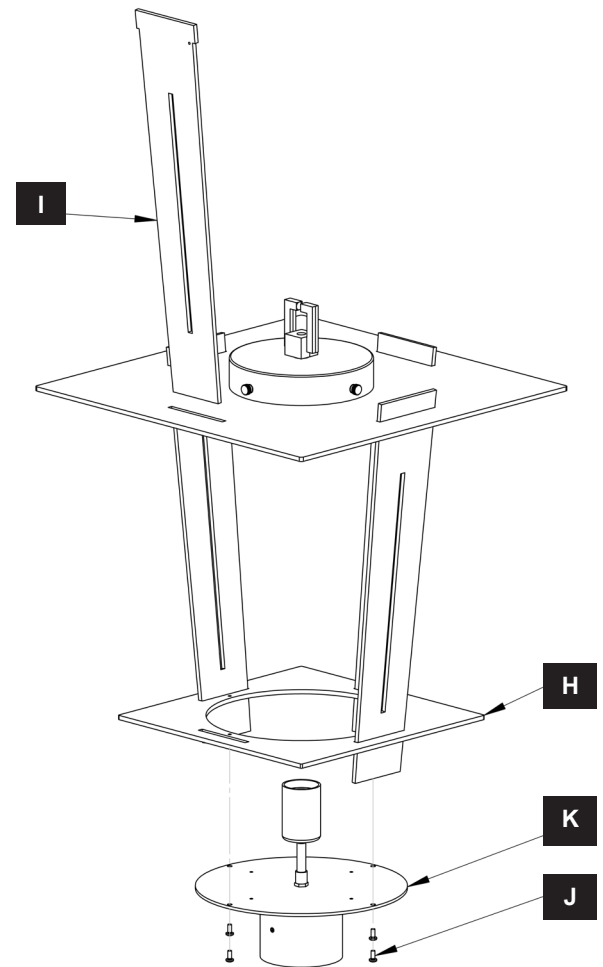
NOTE: Fixture, Post and Cover Cap each sold separately.

SITE PREPERATION:

1. Run appropriate wiring to the site of the fixture, leaving enough excess wire to reach the top of the post, plus 12 inches.
2. Pour flat and level concrete base with wiring emerging at the center. Insert J bolts (B) so approximately 1" of the bolts are exposed above the concrete. Position J bolts according to the template on the last page of these instructions. Allow concrete to cure before installing fixture.

UNPACK FIXTURE:

3. Carefully unpack fixture (H) from the carton.
4. Slide removable plate (I) out of the top of fixture (H) and retain removable plate for later steps.
5. Unscrew mounting screws (J) from fixture (H) and post mount (K) to separate fixture and post mount.
6. Follow steps on next pages to complete installation



(Figure 1)

Post Mount *(Figure 2)*

INSTALLATION:

NOTE: Post may be cut to desired height before installation.

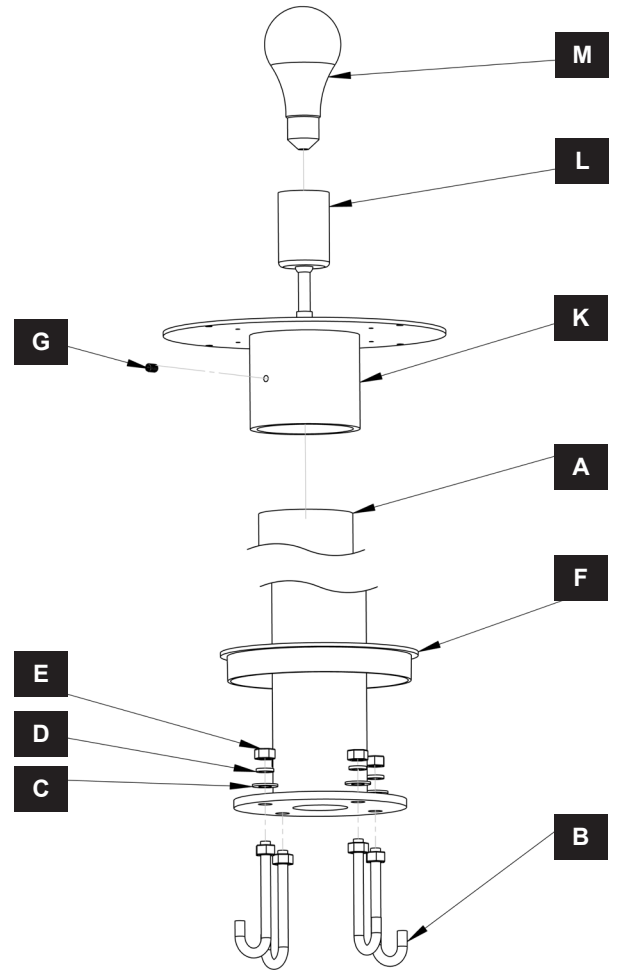
1. Position post (A) over J bolts (B), feeding supply wire up through the post and secure using flat washers (C), split washers (D) and hex nuts (E).
2. Place optional cover cap (sold separately) (F) over post (A) to conceal mounting hardware.
3. Connect fixture wires to supply wires using appropriate wire connectors (not provided), black to black (or smooth), white to white (or ribbed) and tinned copper or green to tinned copper or green.

CAUTION: MAKE SURE WIRE CONNECTORS ARE TWISTED ON SECURELY AND NO BARE WIRE IS EXPOSED.

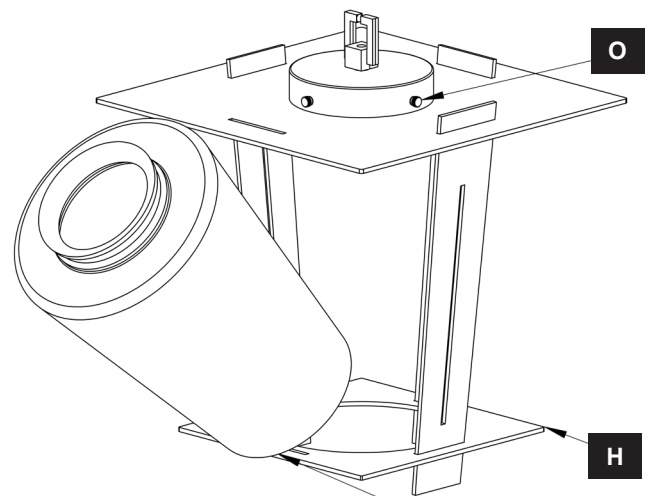
4. Place post mount (K) onto post (A), carefully tucking all wiring down into post and making sure no wires are pinched between the post and the fixture. Secure with set screw (G).
5. Screw in bulb (M) to socket (L).

To Install Glass *(Figure 3)*

1. Carefully unpack glass (N) from carton.
2. Remove thumb screws (O) and using the synthetic grease supplied apply to the threads of all screws.
Note: Application of grease to the threads will need to be done each time the screws are unthreaded during bulb maintenance.
3. Re-install thumb screws (O). Only thread each one in a thread or two.
4. While tilting top of glass (N) away from fixture (H); slide bottom of glass through hole in bottom of fixture until glass is halfway down.
5. Straighten and raise glass (N) into fixture (H) until top of glass (N) is flush with inside of fixture.
6. Screw thumb screws (O) evenly into groove on glass (N) until glass is secure.



(Figure 2)

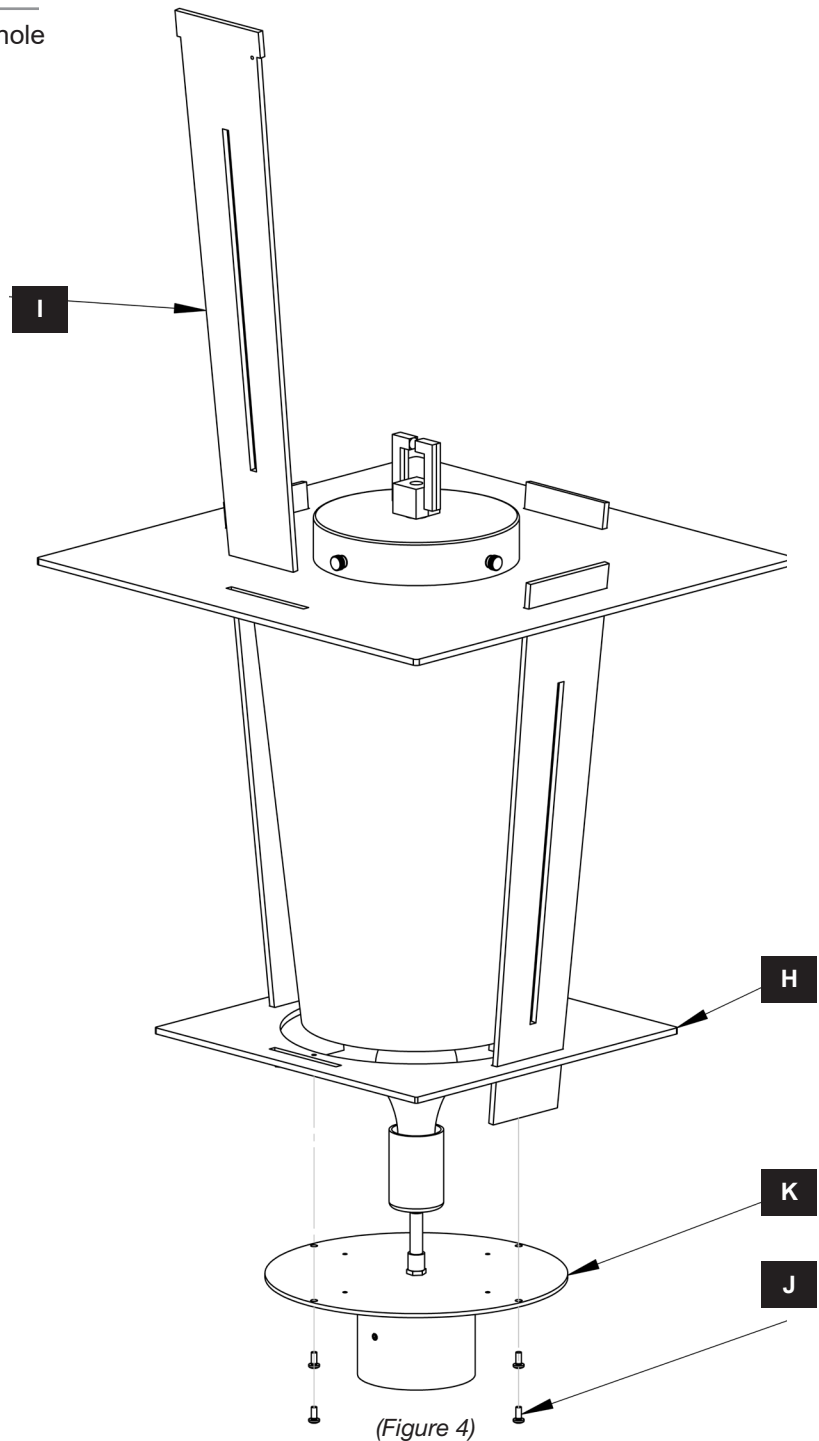


(Figure 3)

Linea Outdoor Post Light 342026

To Complete Install *(Figure 4)*

1. Gently slide fixture (H) over post mount (K) and align hole in post mount.
2. Screw fixture (H) and post mount (K) together using mounting screws (J).
3. Slide removable plate (I) in fixture slots.
4. Restore electricity at main breaker.



If you need further assistance, or find that you are missing any parts, please contact the dealer from which you purchased this product. We hope you enjoy your fixture!

*** Hubbardton Forge will not be liable for injury or damage caused by improper installation, lamping or use of this fixture.**



HUBBARDTON FORGE.

ASSEMBLY & INSTALLATION INSTRUCTIONS

G42

Linea Outdoor Post Light 342026

USE THIS TEMPLATE TO POSITION J BOLTS AND WIREWAY IN CONCRETE SLAB PRIOR TO INSTALLING OUTDOOR POST MOUNTED LIGHTING FIXTURE.

