

# Installation Instructions

Tourou Post and Pier Mounted 34-6011 & 34-6003

**G13**

Page 1 of 1

**CAUTION: FAILURE TO INSTALL THIS FIXTURE PROPERLY MAY RESULT IN SERIOUS PERSONAL INJURY OR DEATH AND PROPERTY DAMAGE. We recommend installation by a licensed electrician.**

This product must be installed in accordance with applicable installation code(s), by a person familiar with the construction and operation of the product and the hazards involved.\*

**Caution:** Do not exceed maximum wattage noted on fixture. Use only recommended bulbs with fixture.

**Note:** Fixture, Post and Cover Cap each sold separately

## Component Parts

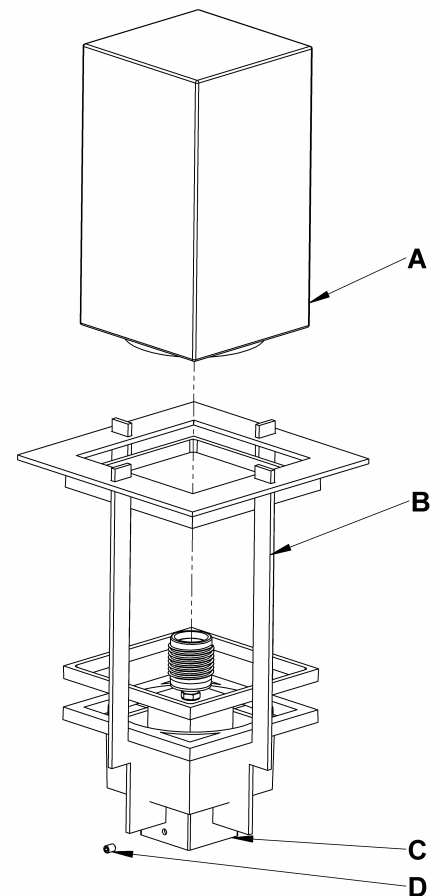
- A Glass
- B Fixture
- C Fixture Collar
- D Set Screw

## To Install

**Caution:** Be sure power is off at the main breaker box prior to installation.

**Note:** Post may be cut to length as desired before installation begins.

1. Connect fixture wires to supply wires using appropriate wire connectors (not provided), black to black, white to white and bare copper or green to bare copper or green. If fixture is wired with twin lead lamp cord, connect smooth side of fixture wire to black and ridged side to white.
2. Place fixture (C) onto post carefully tucking all wiring down into post and making sure no wires are pinched between the post and the fixture. Secure with set screw (D) using a 1/8" hex key wrench (not supplied).
3. Install 150-watt max type A light bulb and glass (A).  
**Note:** The glass is mouth blown. Minor irregularities, including being slightly out of square, are normal. It may be necessary to turn the glass in relation to the fixture to achieve a good fit.
4. Restore electricity to breaker.



If you need further assistance, or find that you are missing any parts, please contact the dealer from which you purchased this product. We hope you enjoy your fixture!

\* Hubbardton Forge will not be liable for injury or damage caused by improper installation, lamping or use of this fixture.