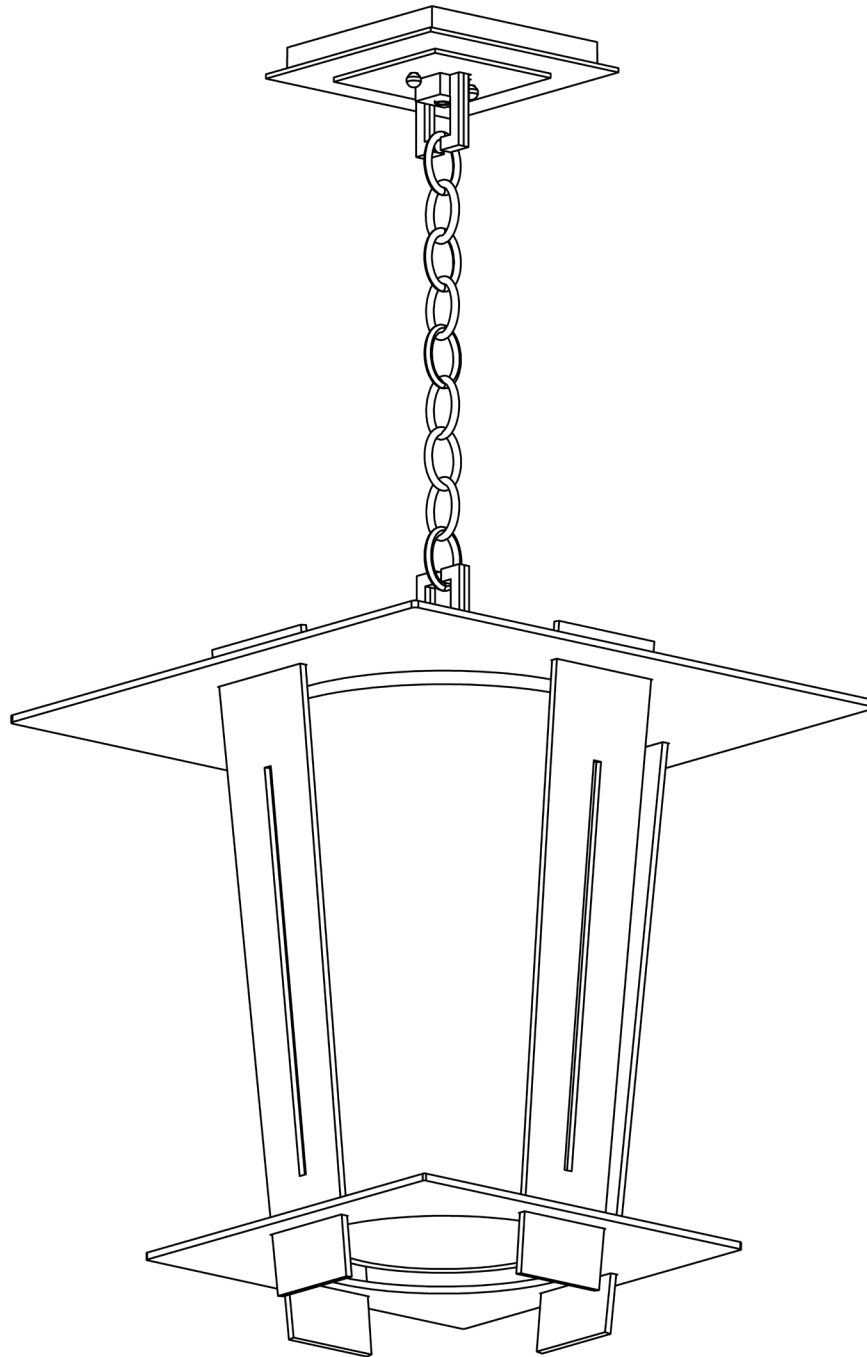


# ASSEMBLY & INSTALLATION INSTRUCTIONS

Linea Outdoor Lantern 363017

A1064



**Component Parts**

- A Crossbar**
- B Lock Nut**
- C Nipple**
- D Ground Screw**
- E Studs (2)**
- F Canopy**
- G Canopy Loop**
- H Chain**
- I Fixture Loop**
- J Knurled Ball**
- K Glass**
- L Thumb Screw (4)**
- M Removable plate**
- N Fixture**
- O Bulb (not included)**
- P Socket**



# ASSEMBLY & INSTALLATION INSTRUCTIONS

A1064

Linea Outdoor Lantern 363017

**CAUTION: FAILURE TO INSTALL THIS FIXTURE PROPERLY MAY RESULT IN SERIOUS PERSONAL INJURY OR DEATH AND PROPERTY DAMAGE.** We recommend installation by a licensed electrician. This product must be installed in accordance with applicable installation code(s), by a person familiar with the construction and operation of the product and the hazards involved.\*

**Caution:** Do not exceed maximum wattage noted on fixture. Use only recommended bulbs with fixture.

**Caution:** Damp location outdoor hanging fixtures are designed for use in covered spaces such as porches protected from prolonged exposure to water and wind. If installing in locations subject to wind the use of supplementary chains, cables, or similar restraints may be necessary to protect against swinging and twisting. If in doubt consult a qualified installer.

Please Note: After installation, extra hardware and accessories are possible; our kits are used on multiple products.

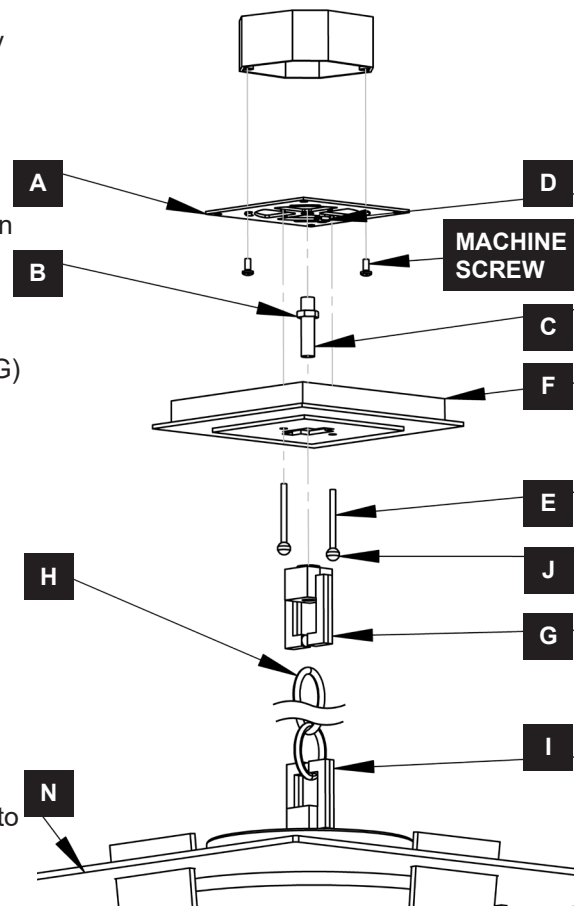
## To Install Fixture (Figure 1 and following page)

**CAUTION: BE SURE POWER IS OFF AT THE MAIN BREAKER BOX PRIOR TO INSTALLATION.**

1. Carefully unpack fixture (N) from the carton.
2. Using two machine screws (not provided), fasten the crossbar (A) to the electric box with the head of the ground screw (D) facing down.

**NOTE: A NEW ELECTRIC BOX COMES WITH SCREWS. WHEN REPLACING A FIXTURE, RETAIN THE EXISTING SCREWS FOR USE WITH THE NEW FIXTURE.**

3. Thread nipple (C) into crossbar (A) and then thread lock nut (B) and canopy loop (G) onto threaded nipple, leaving parts loose. Adjust the length of threaded nipple in crossbar (A) so that canopy loop is recessed in canopy. When the correct adjustment is established, tighten lock nut (B) against crossbar (A) to hold adjustment.
4. Thread studs (E) through appropriate holes in crossbar (D) to match holes in canopy (F).
5. Remove crossbar (A) assembly from electrical box.
6. Slip wires and chain (H) through canopy (F). Fasten chain to canopy loop (G) using chain spreader.
7. Attach one end of chain (H) to fixture loop (I). Lace the wires through every other link of chain (H) to end.
8. Slip wires through canopy loop (G) and nipple (C). Make sure to provide enough slack in wire to ensure weight of fixture is supported by chain.
9. Using two machine screws (not provided), reattach the crossbar (A) to the electric box.
10. Using suitable wire connectors (not provided) connect fixture wires to supply wires (white to ribbed side of the fixture cord, black to smooth side). Attach a pigtail lead from ground screw (D) to the electric box. Holding canopy (F) close to ceiling, connect all ground wires (bare copper or green to bare copper or green) together.



(Figure 1)

Linea Outdoor Lantern 363017

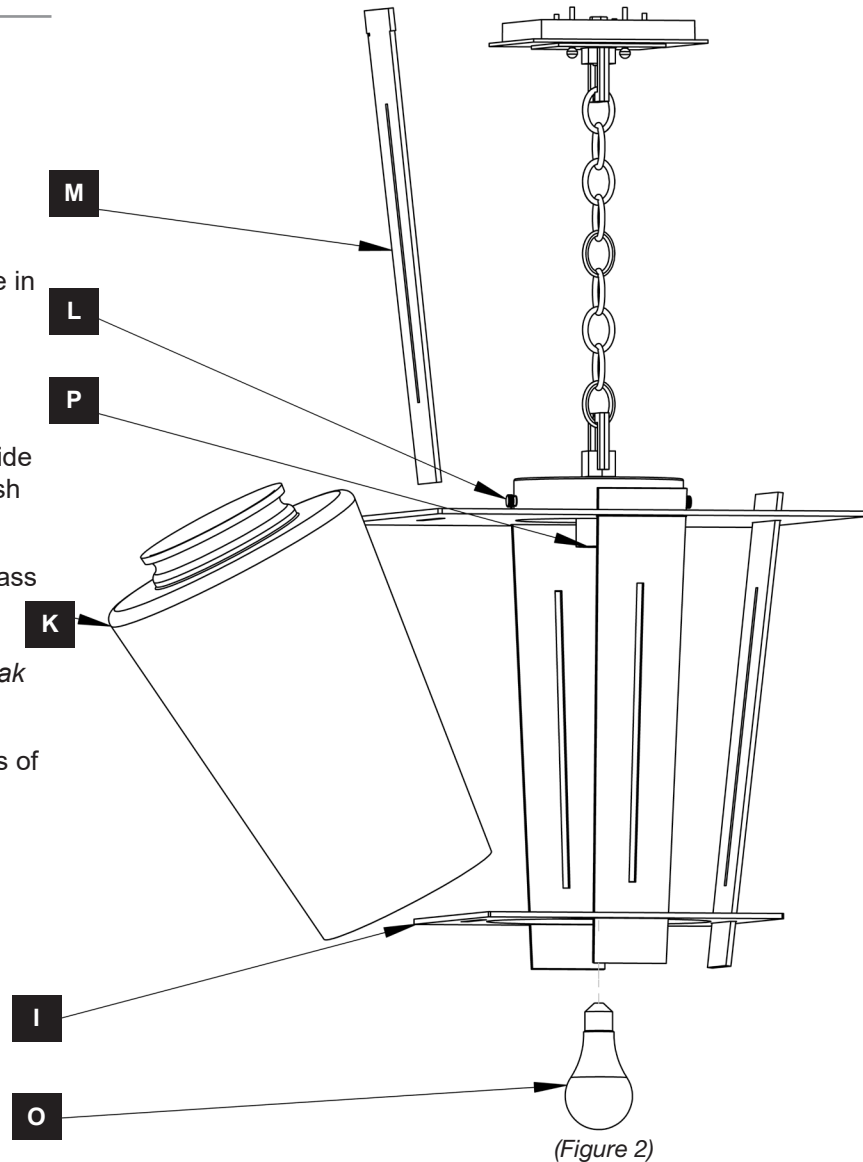
11. Slide canopy (F) over threaded studs (E) and push firmly to ceiling, making sure that no wires are pinched between canopy and ceiling. Fasten with knurled balls (J). Be sure studs are fully seated in the knurled balls.
12. Continue with following instructions to install glass.

### To Install Glass *(Figure 2)*

1. Carefully unpack glass (K).
2. Remove thumb screws (L) and using the synthetic grease supplied apply to the threads of all screws. **Note: Application of grease to the threads will need to be done each time the screws are un-threaded during bulb replacement.**
3. Re-install thumb screws (L). Only thread each one in a thread or two.
4. Tilt glass (K) until able to slide into bottom hole in fixture.
5. When glass (K) is halfway into hole in fixture (I), slide glass up into fixture until flat surface of glass is flush with top plate of fixture.
6. Tighten thumb screws (L) evenly into groove on glass (K) until secure to secure.

**Note:** Be sure not to overtighten as this could break glass.

7. Slide removable plate (M) into top and bottom slots of fixture (N).
8. Screw bulb (O) (Not Included) into socket (P).
9. Restore electricity at main breaker.



If you need further assistance, or find that you are missing any parts, please contact the dealer from which you purchased this product. We hope you enjoy your fixture!

**\* Hubbardton Forge will not be liable for injury or damage caused by improper installation, lamping or use of this fixture.**