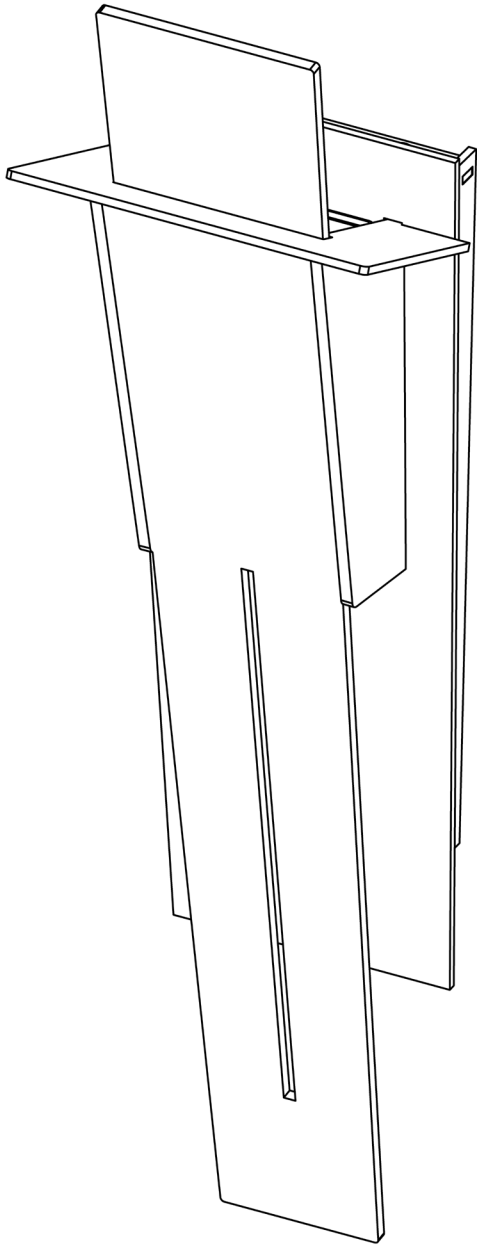


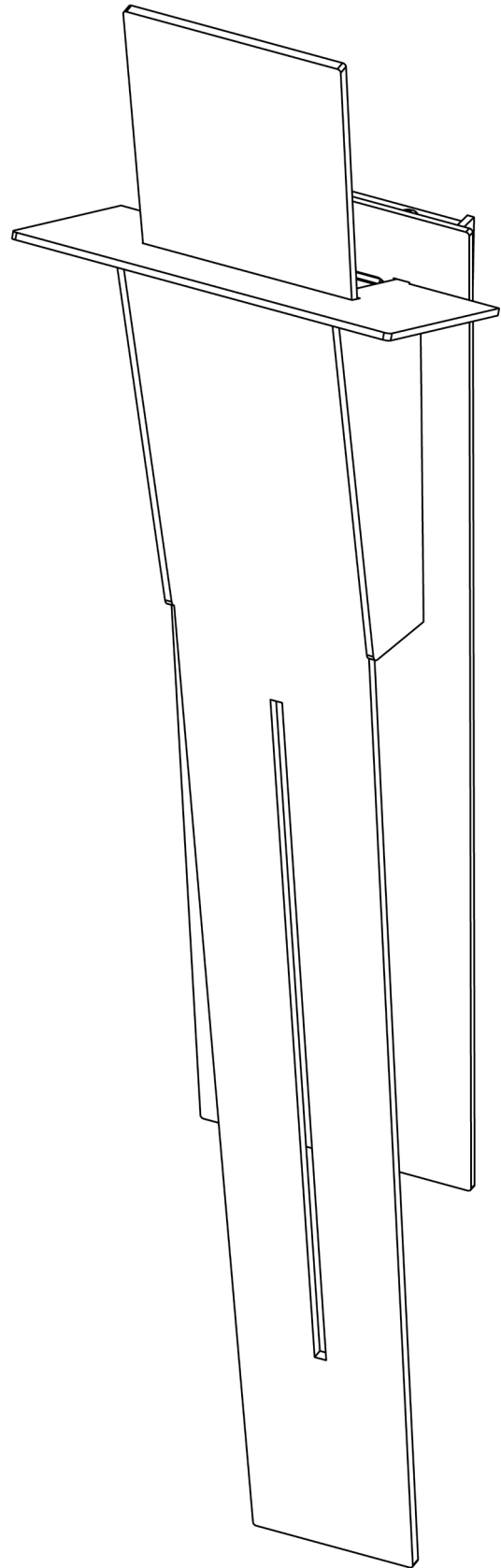
# ASSEMBLY & INSTALLATION INSTRUCTIONS

**B574**

Outdoor Linea Sconce Small 302024 and Medium 302025



**Shown in illustrations**  
**302024**



**302025**

## Component Parts

- A Fixture**
- B Front Plate Assembly**
- C #8 Screw (2)**
- D Knurled Nut (4)**
- E Bracket**
- F Socket**
- G Glass**
- H LED Bulb (Not Provided)**
- I Dark Sky Plate**
- J Lower Plate**
- K Fixture Stud (2)**
- L Rubber Washer (2)**
- M Caulking Lip**
- N Mounting Screws (2)**



# ASSEMBLY & INSTALLATION INSTRUCTIONS

B574

Outdoor Linea Sconce Small 302024 and Medium 302025

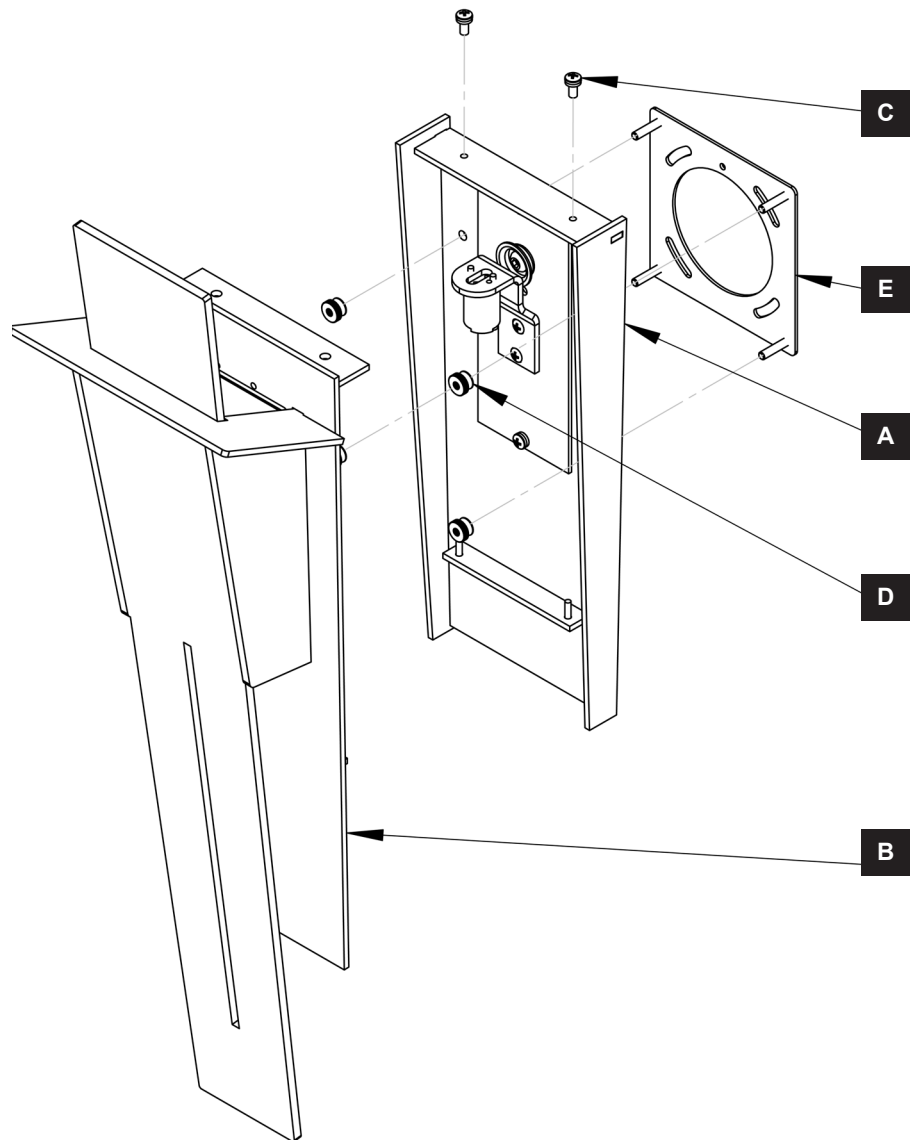
**CAUTION: FAILURE TO INSTALL THIS FIXTURE PROPERLY MAY RESULT IN SERIOUS PERSONAL INJURY OR DEATH AND PROPERTY DAMAGE.** We recommend installation by a licensed electrician. This product must be installed in accordance with applicable installation code(s), by a person familiar with the construction and operation of the product and the hazards involved.\*

**Caution:** Do not exceed maximum wattage noted on fixture. Use only recommended bulbs with fixture.

Please Note: After installation extra hardware and accessories are possible; our kits are used on multiple products.

## To Disassemble Fixture (Figure 1)

1. Carefully unpack the fixture (A) from the carton.
2. Remove #8 screws (C) from top of fixture.
3. Slide front plate assembly (B) up from fixture (A) until front plate disengages from fixture. Set front plate aside for later steps.
4. Unscrew knurled nuts (D) from bracket (E).
5. Remove bracket (E) from fixture (A).
6. Follow instructions on following pages for installation.



(Figure 1)

# ASSEMBLY & INSTALLATION INSTRUCTIONS

B574

Outdoor Linea Sconce Small 302024 and Medium 302025

## To Mount Fixture (Figures 2 through 3)

**CAUTION:** BE SURE POWER IS OFF AT THE MAIN BREAKER BOX PRIOR TO INSTALLATION.

1. Place mounting bracket (E) over the electrical box being sure to hold it level. Using two machine screws (not provided) fasten bracket (E) to the electrical box.

**NOTE:** A NEW ELECTRIC BOX COMES WITH SCREWS. WHEN REPLACING A FIXTURE, RETAIN THE EXISTING SCREWS FOR USE WITH THE NEW FIXTURE.

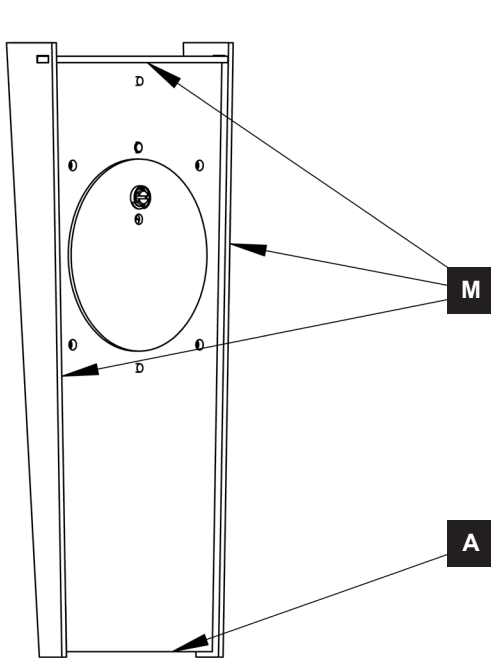
2. Hold fixture (A) close to the electric box. Using suitable wire connectors (not provided) connect socket wires to supply wires (white to white and black to black). Connect all ground wires (bare copper or green to bare copper or green) together.

**CAUTION:** MAKE SURE WIRE CONNECTORS ARE TWISTED ON SECURELY, AND NO BARE WIRE IS EXPOSED.

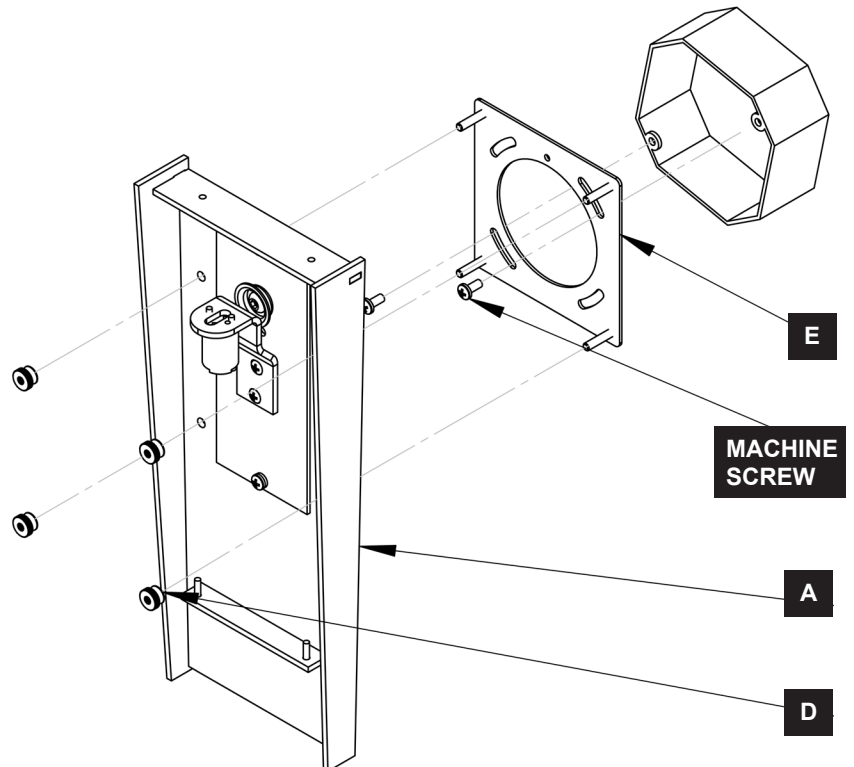
3. Apply a generous bead of suitable caulking material (not provided) to caulking lip (M) in fixture (A). (Figure 3)
4. Place fixture (A) over mounting bracket (E). Secure with knurled nuts (D). (Figure 2)

**CAUTION:** BE SURE NO WIRES ARE PINCHED BETWEEN THE WALL AND FIXTURE.

5. Follow instructions on following pages to complete installation



(Figure 3)



(Figure 2)

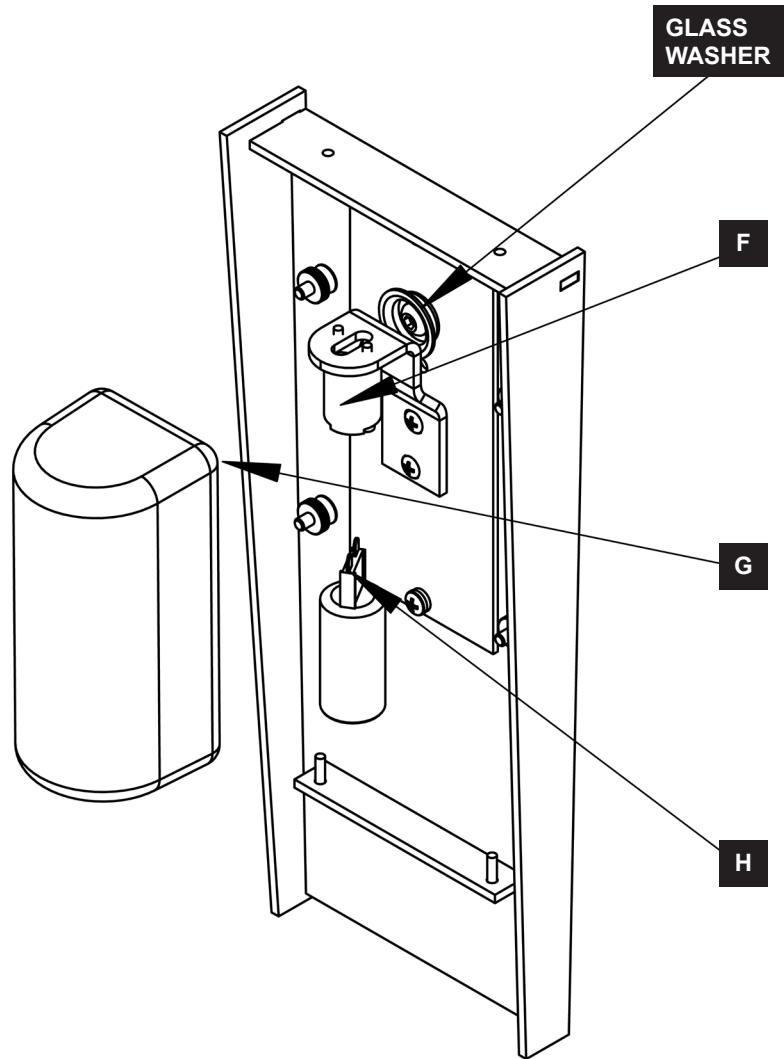
# ASSEMBLY & INSTALLATION INSTRUCTIONS

B574

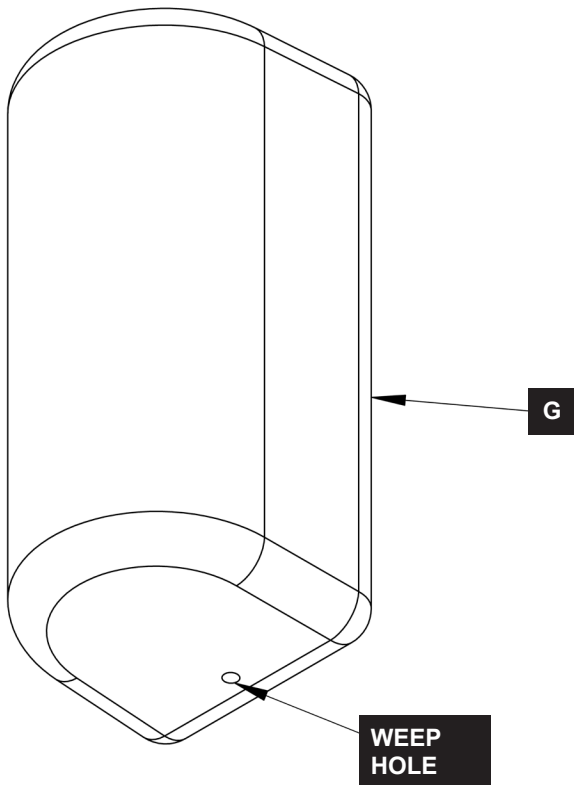
Outdoor Linea Sconce Small 302024 and Medium 302025

## To Install Glass and Bulbs (Figures 4 and 5)

1. Install LED bulb (H) into fixture socket (F). (Figure 4)
2. While tilting top of glass (G) away from fixture and making sure weep hole is facing down (Figure 5), slide bottom portion of glass (G) over bottom bulb (H).
3. Raise glass (G) up until top can tilt over top bulb (H) . Slide glass down to engage with washer on fixture (A).



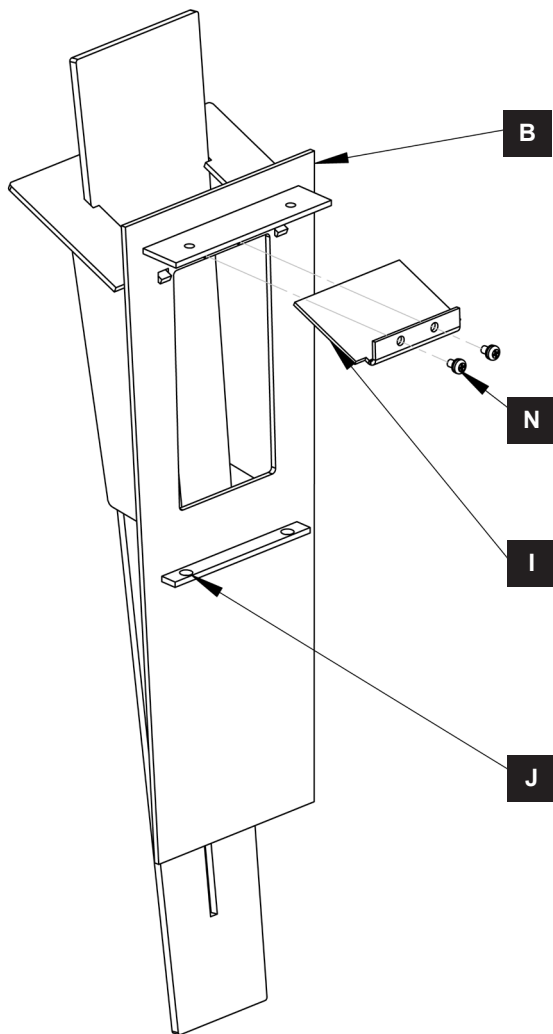
(Figure 4)



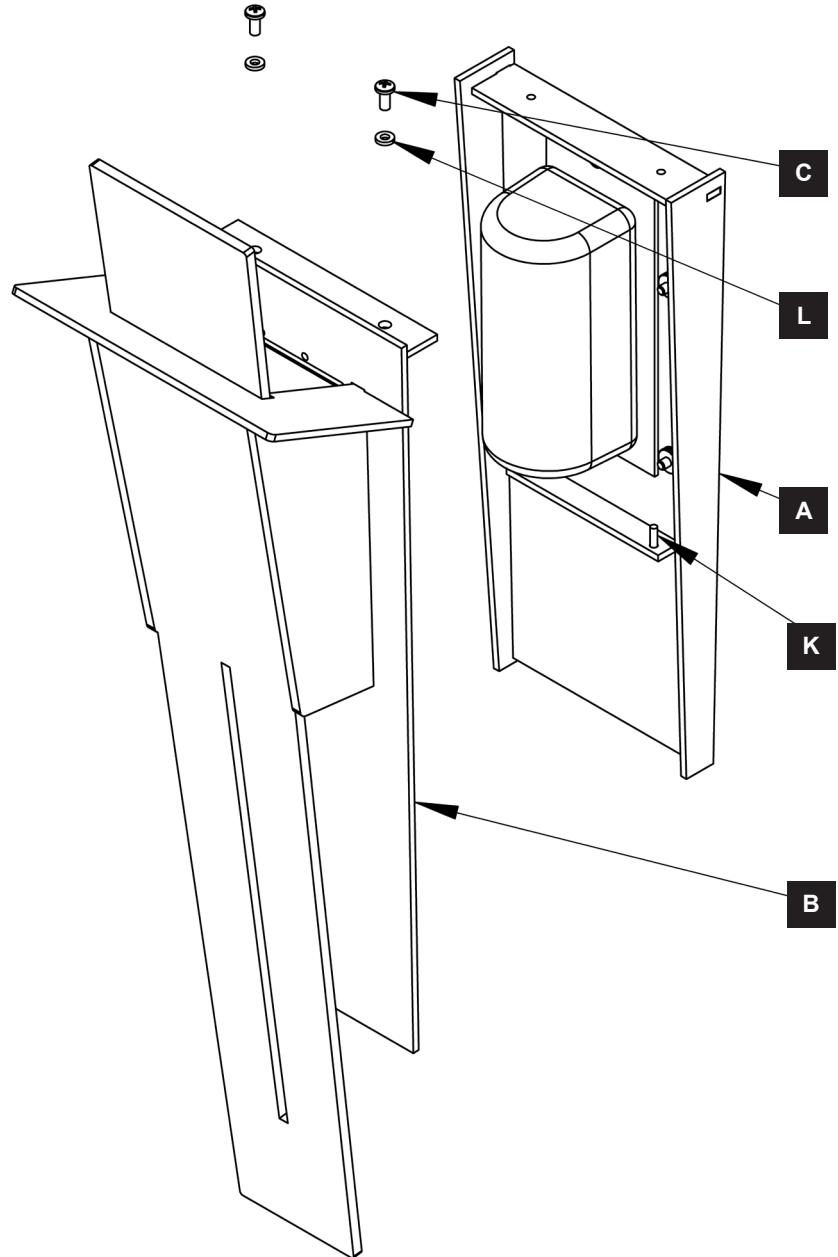
(Figure 5)

## To Complete Install *(Figures 6 and 7)*

1. If dark sky is not desired, unscrew mounting screws (N) from front plate assembly (B) and remove dark sky plate (I)
2. Slide holes in lower plate (J) on front plate assembly (B) over fixture studs (K).
3. Thread #8 screws (C) and rubber washers into top of fixture (A) to secure front plate assembly (B).
4. Restore electricity at main breaker.



(Figure 6)



(Figure 7)

If you need further assistance, or find that you are missing any parts, please contact the dealer from which you purchased this product. We hope you enjoy your fixture!

***\* Hubbardton Forge will not be liable for injury or damage caused by improper installation, lamping or use of this fixture.***