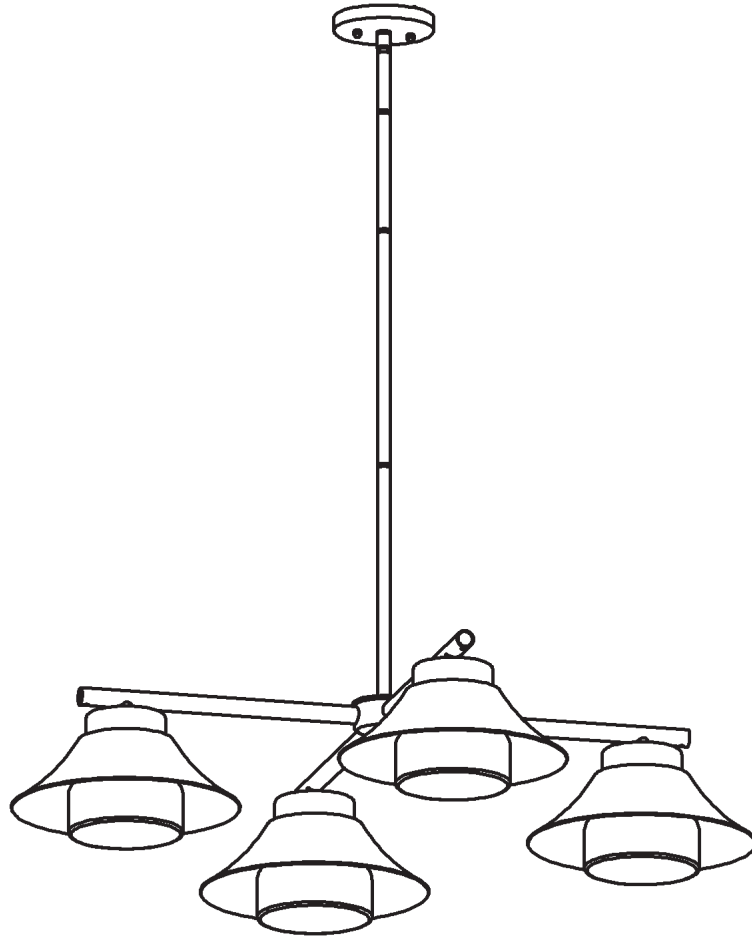


# ASSEMBLY & INSTALLATION INSTRUCTIONS

A1062

Stowe Outdoor 4 Light Pendant 362025

---



HUBBARDTON FORGE.

MODERN AMERICAN BLACKSMITHS | FINE, HAND CRAFTED LIGHTING  
CASTLETON, VERMONT USA | HUBBARDTONFORGE.COM

58987

1 OF 5

## Component Parts

- A**     **Fixture**
- B**     **Fixture Coupling**
- C**     **Canopy**
- D**     **Crossbar**
- E**     **Ground Screw**
- F**     **Threaded Stud (2)**
- G**     **Knurled Ball (2)**
- H**     **3" Fixture Pipe**
- I**     **6" Fixture Pipe**
- J**     **12" Fixture Pipe (2)**
- K**     **Single Pipe Coupling**
- L**     **Double Pipe Coupling (3)**
- M**     **Glass (4)**
- N**     **Socket**
- O**     **Thumb Screws (16)**



# ASSEMBLY & INSTALLATION INSTRUCTIONS

A1062

Stowe Outdoor 4 Light Pendant 362025

**CAUTION: FAILURE TO INSTALL THIS FIXTURE PROPERLY MAY RESULT IN SERIOUS PERSONAL INJURY OR DEATH AND PROPERTY DAMAGE.** We recommend installation by a licensed electrician. This product must be installed in accordance with applicable installation code(s), by a person familiar with the construction and operation of the product and the hazards involved.\*

Caution: Do not exceed maximum wattage noted on fixture. Use only recommended bulbs with fixture.

Please Note: After installation extra hardware and accessories are possible due to our kits are used on multiple products and options.

## To Install Fixture (Figure 1)

**CAUTION: BE SURE POWER IS OFF AT THE MAIN BREAKER BOX PRIOR TO INSTALLATION.**

- Carefully unpack fixture from carton.
- Feed supply wires through center of crossbar (D). Using two machine screws (not provided), fasten crossbar (D) to electric box.

*Note: A new electric box comes with screws. When replacing a fixture, retain the existing screws for use with the new fixture.*

- Thread studs (F) through appropriate holes in crossbar (D) to match holes in canopy (C).
- Locate fixture pipes (H, I, J), fixture (A) and couplings (K & L).
- Provided are multiple fixture pipes in three different lengths. Choose combination that will achieve overall height desired. Refer to table below to determine the pipes required to reach desired overall height. Once you have determined the components necessary, feed wires that exit fixture coupling (B) through individual components. Wires will slip easier through loose components than through pipes and couplings that are pre-assembled.

		Overall Height of Fixture										
		16.1"	19.1"	22.3"	25.1"	28.3"	31.3"	34.5"	37.3"	40.5"	43.5"	46.7"
# of Pipes Required	3" Pipe (H)	1		1		1		1		1		1
	6" Pipe (I)		1	1			1	1			1	1
	12" Pipe (J)				1	1	1	1	2	2	2	2

- Apply a drop of supplied thread locking compound to internal threads of fixture coupling (B) and pipe couplings (K, L). Thread pipes (H, I & J) and pipe couplings (K, L) together. Single pipe coupling (K) will thread on end of pipe that will be attached to canopy (C).

*Note: Application of the thread locking compound is necessary to prevent the stem from loosening during regular maintenance and cleaning of the fixture. Be certain to apply the compound.*

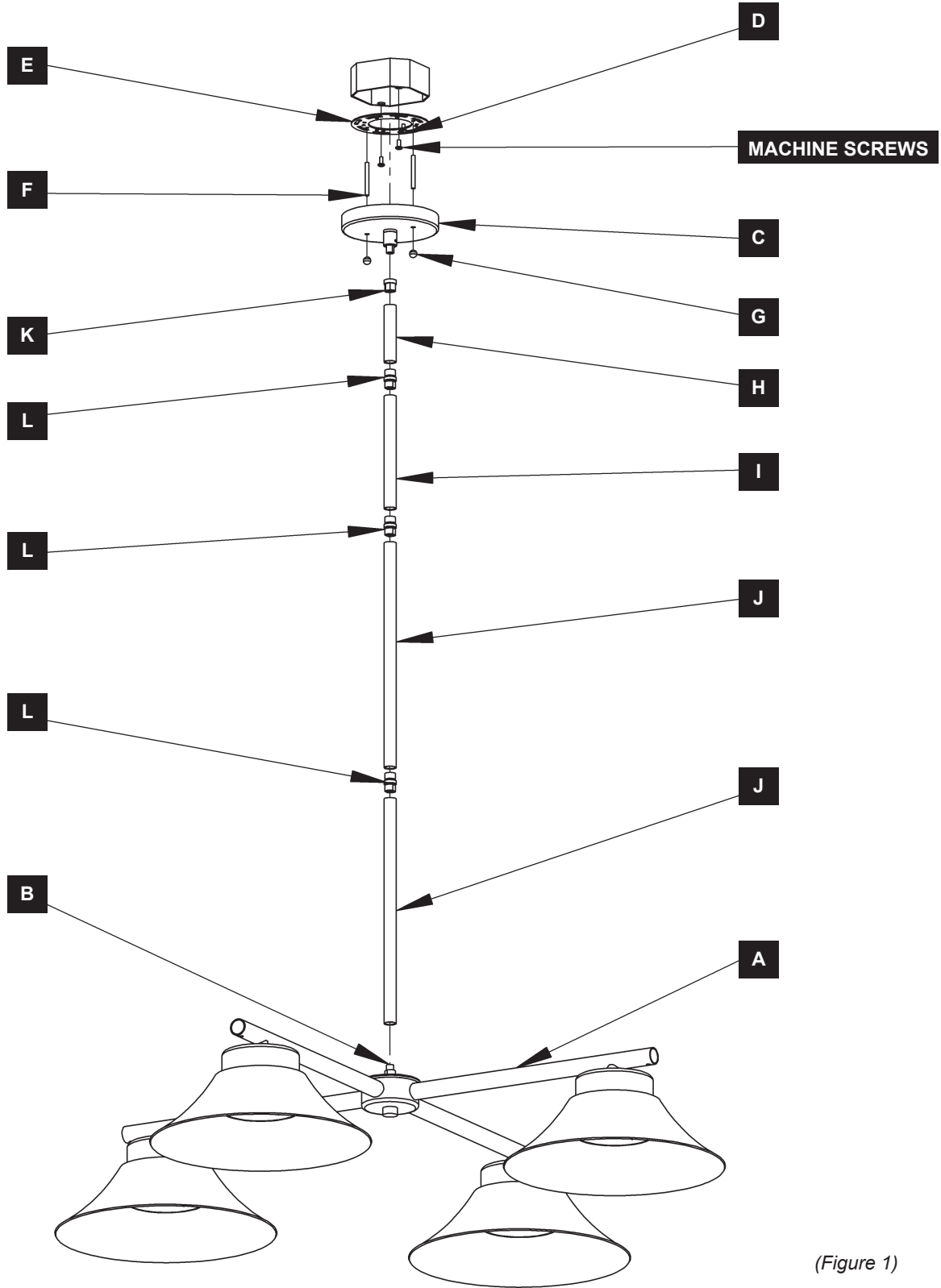
- Feed wires through canopy (C).
- Thread canopy (C) onto fixture pipe assembly.
- Raise fixture close to ceiling.
- Using suitable wire connectors (not provided) connect fixture wires to supply (white to white or ribbed and black to black or smooth). Attach a pigtail lead to crossbar ground screw (E). Connect all ground wires (bare copper or green to bare copper or green).
- Slide canopy (C) over threaded studs (F) and push firmly to ceiling, making sure that no wires are pinched between fixture canopy (C) and ceiling. Fasten with knurled balls (G). Be sure studs (F) are fully seated in knurled knobs (G).
- See instructions on last page to complete installation.

**CAUTION: MAKE SURE WIRE CONNECTORS ARE TWISTED ON SECURELY, AND NO BARE WIRE IS EXPOSED.**

# ASSEMBLY & INSTALLATION INSTRUCTIONS

A1062

Stowe Outdoor 4 Light Pendant 362025



(Figure 1)



HUBBARDTON FORGE.

MODERN AMERICAN BLACKSMITHS | FINE, HAND CRAFTED LIGHTING  
CASTLETON, VERMONT USA | HUBBARDTONFORGE.COM

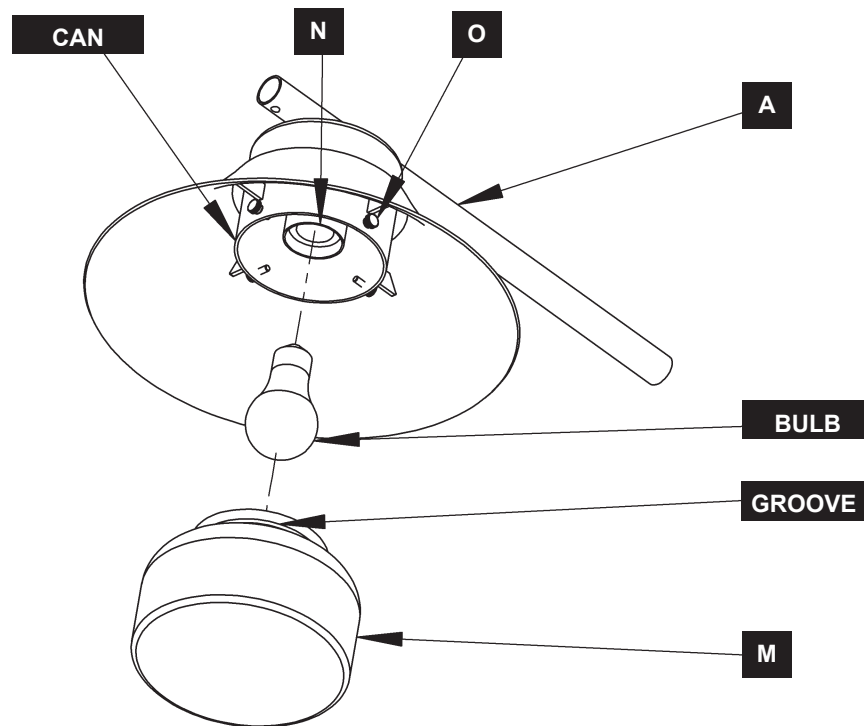
# ASSEMBLY & INSTALLATION INSTRUCTIONS

A1062

Stowe Outdoor 4 Light Pendant 362025

## To Install Glass (Figures 2)

1. Unpack glass (M).
2. Install bulb (not included) into socket (N).
3. Remove four thumb screws (O) and using synthetic grease supplied apply to threads of all screws.  
**Note:** Application of grease to threads will need to be done each time screws are unthreaded during bulb maintenance.
4. Thread thumb screws (O) back in fixture a thread or two.
5. Slip glass (M) over bulb and up into can. Align groove in glass (M) with thumb screws (O).
6. Tighten thumb screws (O) evenly into groove to secure glass (M) in fixture (A).  
**Note:** Be sure not to overtighten as this could break glass.
7. Restore electricity at main breaker.



(Figure 2)

If you need further assistance, or find that you are missing any parts, please contact the dealer from which you purchased this product. We hope you enjoy your fixture!

**\* Hubbardton Forge will not be liable for injury or damage caused by improper installation, lamping or use of this fixture.**