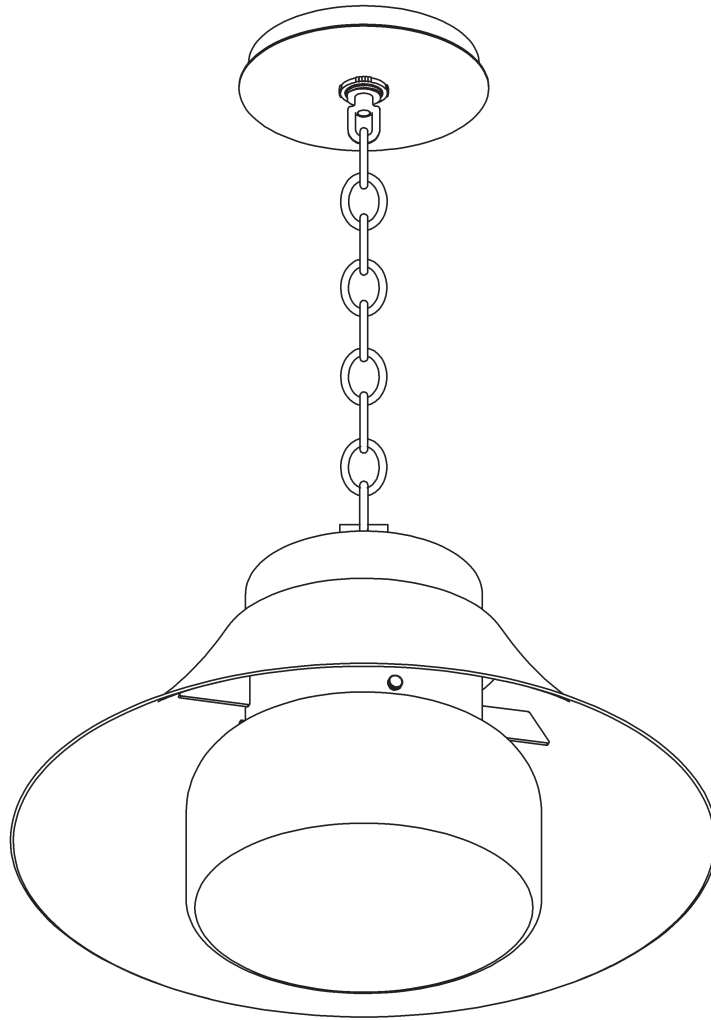


# ASSEMBLY & INSTALLATION INSTRUCTIONS

Stowe Outdoor Lantern 362024

A1071



## Component Parts

- A Fixture**
- B Lock Nut**
- C Nipple**
- D Ground Screw**
- E Canopy**
- F Canopy Ring**
- G Canopy Loop**
- H Chain**
- I Fixture Loop**
- J Crossbar**
- K Socket**
- L Thumb screws (4)**
- M Glass**



# ASSEMBLY & INSTALLATION INSTRUCTIONS

A1071

Stowe Outdoor Lantern 362024

**CAUTION: FAILURE TO INSTALL THIS FIXTURE PROPERLY MAY RESULT IN SERIOUS PERSONAL INJURY OR DEATH AND PROPERTY DAMAGE.** We recommend installation by a licensed electrician. This product must be installed in accordance with applicable installation code(s), by a person familiar with the construction and operation of the product and the hazards involved.\*

**Caution:** Do not exceed maximum wattage noted on fixture. Use only recommended bulbs with fixture.

**Caution:** Damp location outdoor hanging fixtures are designed for use in covered spaces such as porches protected from prolonged exposure to water and wind. If installing in locations subject to wind the use of supplementary chains, cables, or similar restraints may be necessary to protect against swinging and twisting. If in doubt consult a qualified installer.

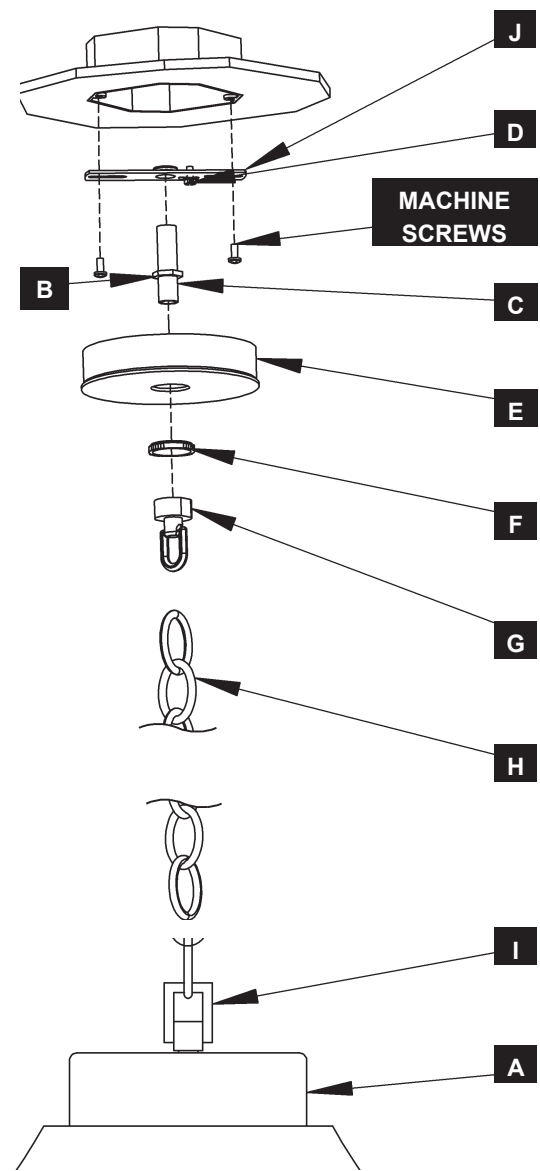
Please Note: After installation, extra hardware and accessories are possible; our kits are used on multiple products.

## To Install Fixture (Figure 1)

**CAUTION: BE SURE POWER IS OFF AT THE MAIN BREAKER BOX PRIOR TO INSTALLATION.**

1. Carefully unpack fixture (A) from carton.
2. Using two machine screws (not provided), fasten the crossbar (J) to electric box with head of the ground screw (D) facing down.  
**Note:** A new electric box comes with screws. When replacing a fixture, retain existing screws for use with new fixture.
3. Thread nipple (C) into crossbar (J) and then thread lock nut (B) and canopy loop (G) onto threaded nipple, leaving parts loose. Adjust length of threaded nipple in crossbar (J) so that canopy ring (F), which comes threaded onto canopy loop (G), will hold canopy (E) against ceiling with no threads showing for best appearance. When correct adjustment is established, tighten lock nut against crossbar to hold adjustment.
4. Remove crossbar (J) assembly from electrical box.
5. Attach one end of chain (H) to fixture loop (I). Lace wires through every other link of chain (H) to end. Slip wires and chain (H) through canopy ring (F) and canopy (E). Fasten chain (H) to the canopy loop (G) using chain spreader.
6. Slip wires through canopy loop (G) and nipple (C). Make sure to provide enough slack in wire to ensure weight of fixture (A) is supported by chain (H).
7. Using two machine screws (not provided), reattach crossbar (J) to electric box.
8. Using suitable wire connectors (not provided) connect fixture wires to supply wires (white to white or ribbed side of fixture cord, black to black or smooth side). Attach a pigtail lead from ground screw (D) to electric box. Holding canopy (E) close to ceiling, connect all ground wires (bare copper or green to bare copper or green) together.
9. Raise canopy (E) to ceiling and secure canopy ring (F) to canopy loop (G).
10. Follow steps on next page to install glass.

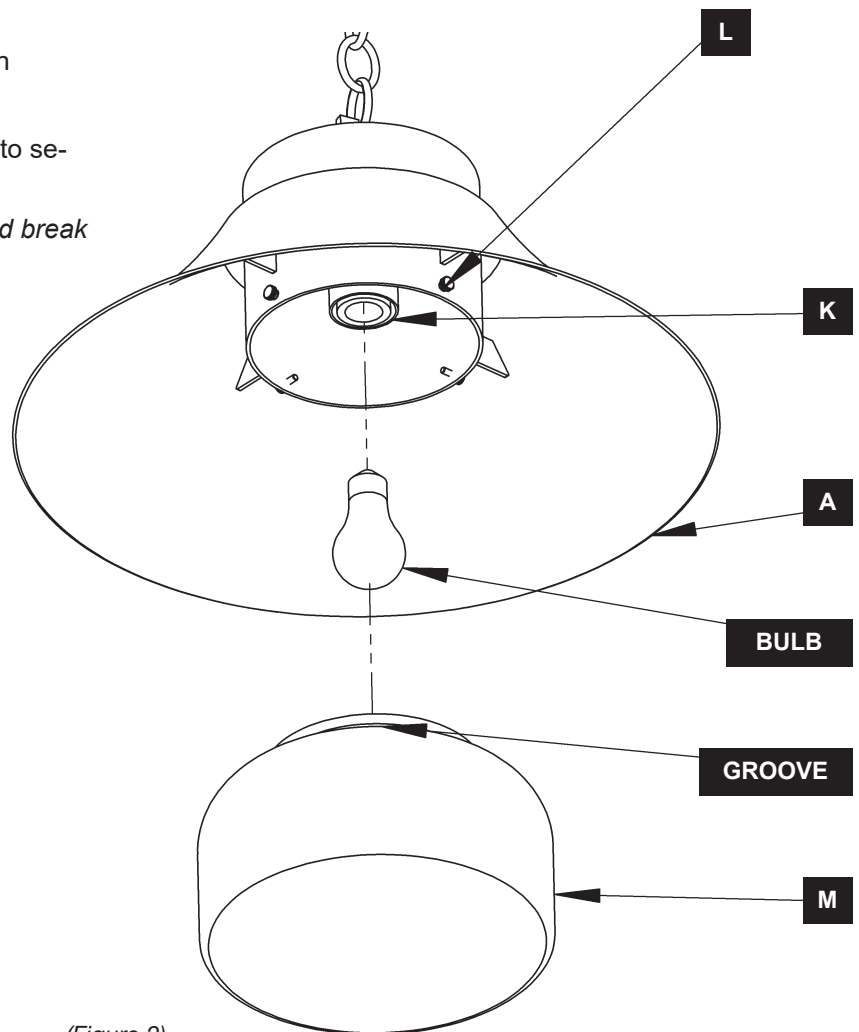
**CAUTION: MAKE SURE WIRE CONNECTORS ARE TWISTED ON SECURELY AND NO BARE WIRE IS EXPOSED.**



(Figure 1)

## To Install Glass (Figure 2)

1. Unpack glass (M).
2. Install bulb (not included) into socket (K).
3. Remove four thumb screws (L) and using synthetic grease supplied apply to threads of all screws.  
**Note:** *Application of grease to threads will need to be done each time screws are unthreaded during bulb maintenance.*
4. Thread thumb screws (L) back in fixture a thread or two.
5. Slip glass (M) over bulb and up into can. Align groove in glass (M) with thumb screws (L).
6. Tighten thumb screws (L) evenly into groove to secure glass (M) in fixture (A).  
**Note:** *Be sure not to overtighten as this could break glass.*
7. Restore electricity at main breaker.



(Figure 2)

If you need further assistance, or find that you are missing any parts, please contact the dealer from which you purchased this product. We hope you enjoy your fixture!

**\* Hubbardton Forge will not be liable for injury or damage caused by improper installation, lamping or use of this fixture.**



HUBBARDTON FORGE.