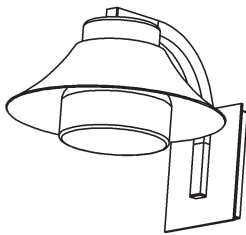


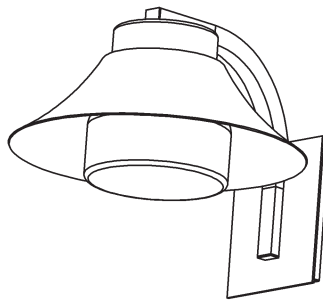
ASSEMBLY & INSTALLATION INSTRUCTIONS

B581

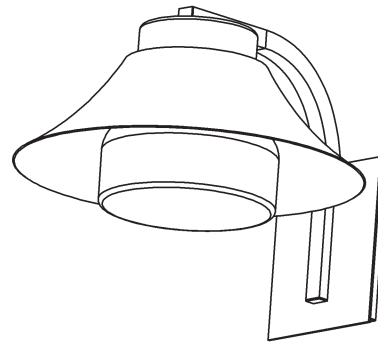
Stowe Outdoor Sconce Small 302052, Medium 302053, Large 302054



302052



302053



302054

Shown in Illustrations



HUBBARDTON FORGE.

MODERN AMERICAN BLACKSMITHS | FINE, HAND CRAFTED LIGHTING
CASTLETON, VERMONT USA | HUBBARDTONFORGE.COM

Component Parts

- A Fixture**
- B Mounting Bracket**
- C Anchors (4)**
- D #10 Screws (4)**
- E Ground Screw**
- F Cupped Washer**
- G Caulking Lip**
- H #8 Screws (4)**
- I Rubber Washer (2)**
- J Socket**
- K Thumb Screw (4)**
- L Glass**



ASSEMBLY & INSTALLATION INSTRUCTIONS

B581

Stowe Outdoor Sconce Small 302052, Medium 302053, Large 302054

CAUTION: FAILURE TO INSTALL THIS FIXTURE PROPERLY MAY RESULT IN SERIOUS PERSONAL INJURY OR DEATH AND PROPERTY DAMAGE. We recommend installation by a licensed electrician. This product must be installed in accordance with applicable installation code(s), by a person familiar with the construction and operation of the product and the hazards involved.*

Caution: Do not exceed maximum wattage noted on fixture. Use only recommended bulbs with fixture.

Please Note: After installation extra hardware and accessories are possible; our kits are used on multiple products.

To Install Fixture (Figures 1 & 2 - on next page)

CAUTION: BE SURE POWER IS OFF AT THE MAIN BREAKER BOX PRIOR TO INSTALLATION.

1. Carefully unpack the fixture (A) from the carton.
2. Remove (4) #8 screws (H) holding mounting bracket (B) to fixture (A). Retain screws (H) for later step. Remove mounting bracket (B) from fixture (A).
3. Place mounting bracket (B) over electrical box being sure to hold it level. Line up holes in mounting bracket with holes in electrical box. With a pencil, mark the location of mounting holes in bracket on wall behind. Set bracket aside.
4. Drill 1/4" holes in locations marked on wall. Place tapered end of the anchors (C) into holes and gently tap them flush to wall using a light weight hammer.
5. Thread wires in electrical box through hole in mounting bracket (B) while moving bracket into position. Using (2) #8 machine screws (not provided), attach bracket securely to electrical box.
Note: A new electric box comes with screws. When replacing an existing fixture, retain screws for use with new fixture
6. Using #10 screws (D), screw bracket (B) securely to wall. Be careful not to over-tighten or strip anchors (C).
7. Attach a pigtail lead to mounting bracket (B) using ground screw (E) and cupped washer (F) found in kit bag.
8. Hold fixture (A) close to wall. Using suitable wire connectors (not provided), connect fixture wires to supply wires (black to black and white to white). Connect all ground wires (bare copper or green to bare copper or green).

CAUTION: MAKE SURE WIRE CONNECTORS ARE TWISTED ON SECURELY, AND NO BARE WIRE IS EXPOSED.

9. Apply a generous bead of a suitable caulking material (not provided) to caulking lip (G) on fixture (Figure 2).
10. Place fixture (A) over mounting bracket (B). Secure with #8 screws (H) and rubber washers (I) on top and #8 screws (H) in bottom of fixture. Rubber washer (I) can be found in kit bag.

CAUTION: BE SURE NO WIRES ARE PINCHED BETWEEN THE WALL AND FIXTURE.

11. Follow steps on remaining pages to complete installation.



HUBBARDTON FORGE.

MODERN AMERICAN BLACKSMITHS | FINE, HAND CRAFTED LIGHTING
CASTLETON, VERMONT USA | HUBBARDTONFORGE.COM

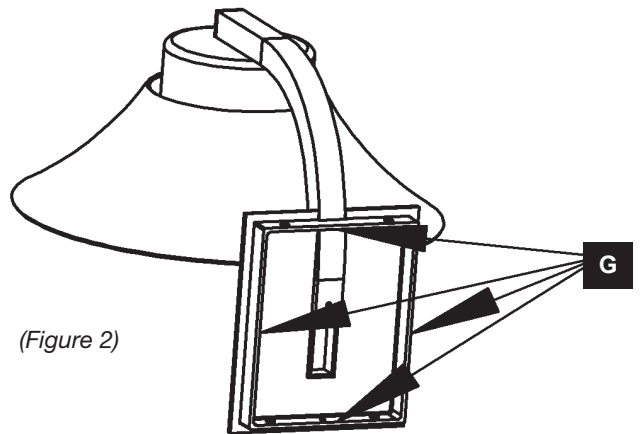
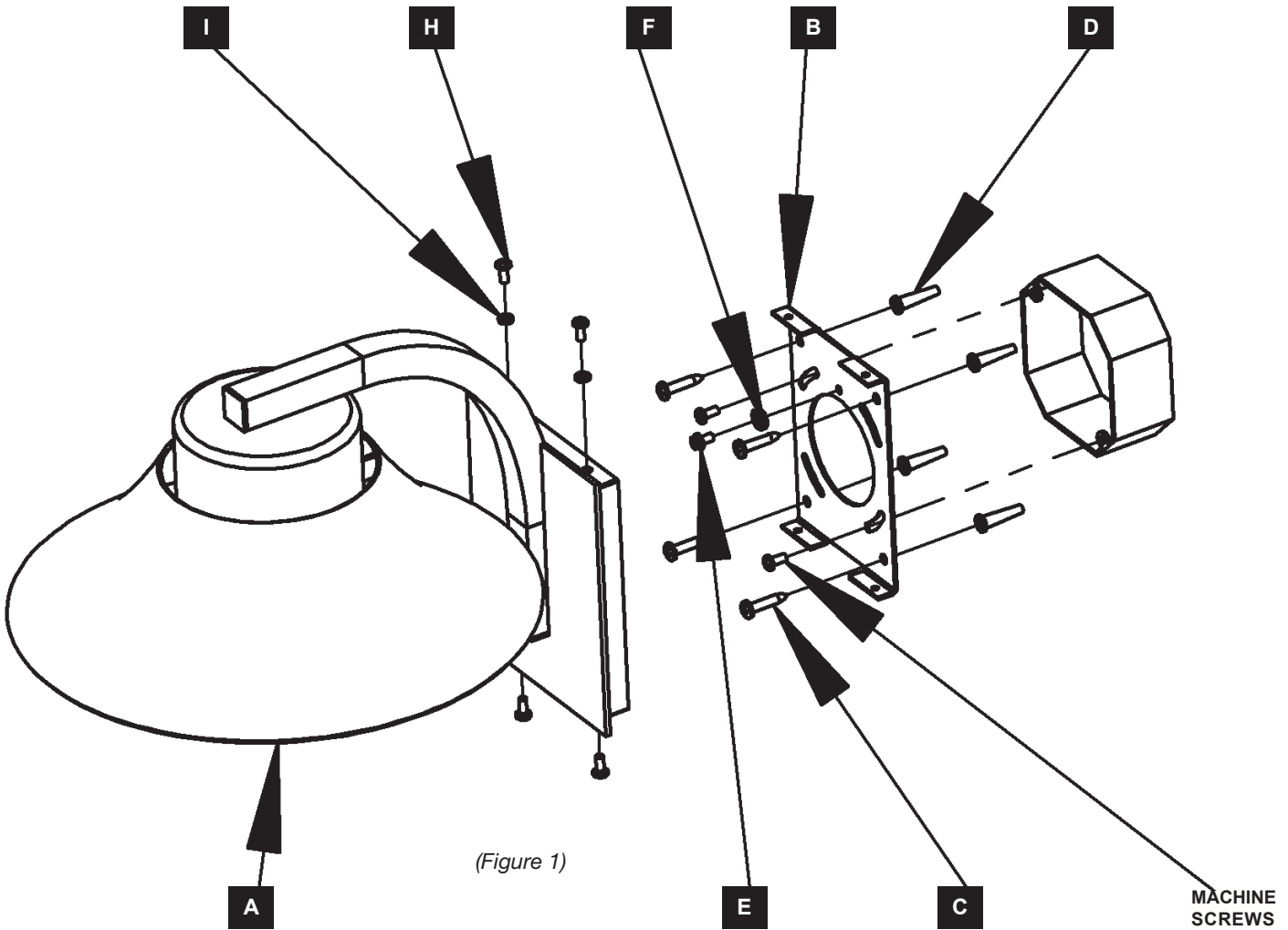
58985

3 OF 5

ASSEMBLY & INSTALLATION INSTRUCTIONS

B581

Stowe Outdoor Sconce Small 302052, Medium 302053, Large 302054

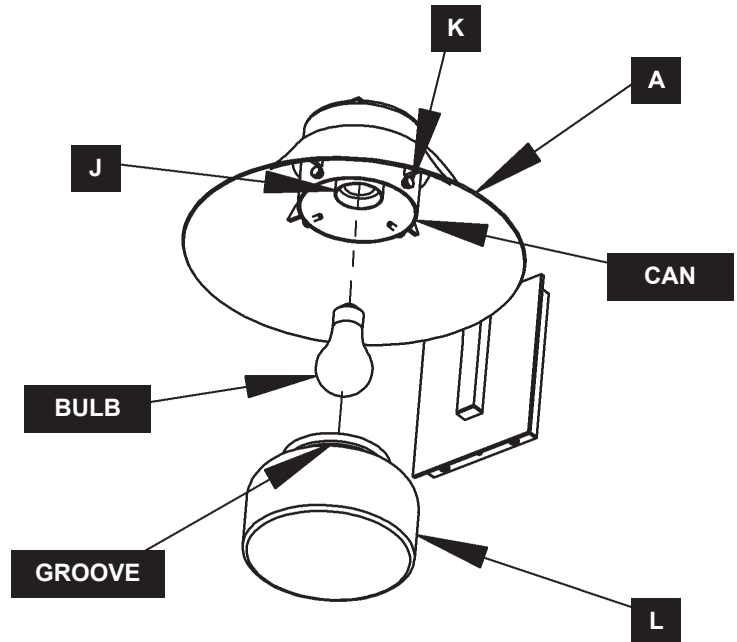


HUBBARDTON FORGE.

MODERN AMERICAN BLACKSMITHS | FINE, HAND CRAFTED LIGHTING
CASTLETON, VERMONT USA | HUBBARDTONFORGE.COM

To Install Glass (Figure 2)

1. Unpack glass (L).
2. Install bulb (not included) into socket (J).
3. Remove four thumb screws (K) and using synthetic grease supplied apply to threads of all screws.
Note: Application of grease to threads will need to be done each time screws are unthreaded during bulb maintenance.
4. Thread thumb screws (K) back in fixture a thread or two.
5. Slip glass (L) over bulb and up into can. Align groove in glass (L) with thumb screws (K).
6. Tighten thumb screws (K) evenly into groove to secure glass (L) in fixture (A).
Note: Be sure not to overtighten as this could break glass.
7. Restore electricity at main breaker.



(Figure 2)

If you need further assistance, or find that you are missing any parts, please contact the dealer from which you purchased this product. We hope you enjoy your fixture!

*** Hubbardton Forge will not be liable for injury or damage caused by improper installation, lamping or use of this fixture.**