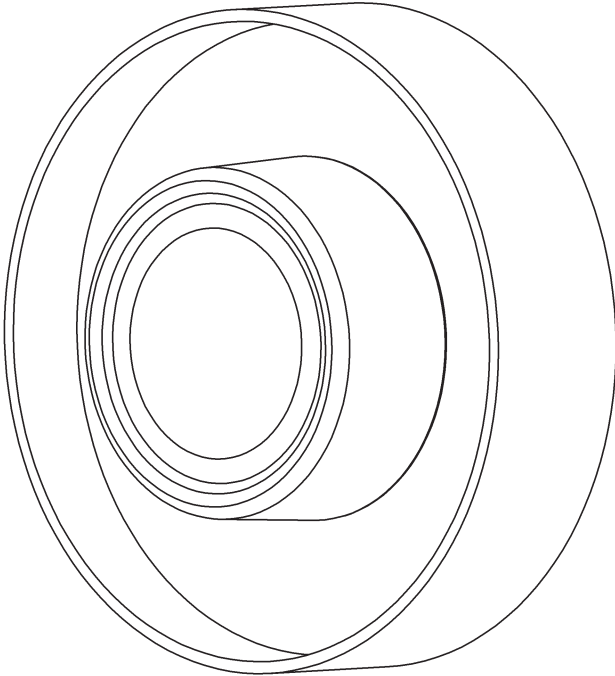


ASSEMBLY & INSTALLATION INSTRUCTIONS

B573

Focal Sconce Small 201086



Component Parts

- A Fixture**
- B LED Puck**
- C Short Standoffs (4)**
- D Phillips Head Screw (4)**
- E Threaded Ring**
- F Tall Standoffs (4)**
- G Hex screws (4)**
- H Front plate**
- I Glass**



ASSEMBLY & INSTALLATION INSTRUCTIONS

B573

Focal Sconce Small 201086

CAUTION: FAILURE TO INSTALL THIS FIXTURE PROPERLY MAY RESULT IN SERIOUS PERSONAL INJURY OR DEATH AND PROPERTY DAMAGE.

We recommend installation by a licensed electrician. This product must be installed in accordance with applicable installation code(s), by a person familiar with the construction and operation of the product and the hazards involved.*

Please Note: After installation extra hardware and accessories are possible; our kits are used on multiple products.

To Install Fixture (Figures 1- 2 - on following pages)

CAUTION: BE SURE POWER IS OFF AT THE MAIN BREAKER BOX PRIOR TO INSTALLATION.

1. Carefully unpack fixture (A) from carton.
2. Unscrew hex screws (G) from threaded ring (E) and phillips head screws (D) from LED Puck (B). (Figure 1)
3. Using two machine screws (not provided) fasten fixture (A) to electric box (Figure 2).

NOTE: A NEW ELECTRIC BOX COMES WITH SCREWS. WHEN REPLACING A FIXTURE, RETAIN THE EXISTING SCREWS FOR USE WITH THE NEW FIXTURE.

CAUTION: BE SURE NO WIRES ARE PINCHED BETWEEN THE WALL AND FIXTURE.

4. Hold LED puck (B) close to electric box. Using suitable wire connectors (not provided) connect LED wires to supply wires (white to white and black to black). Connect all ground wires (bare copper or green to bare copper or green) together. Push wires into electric box.

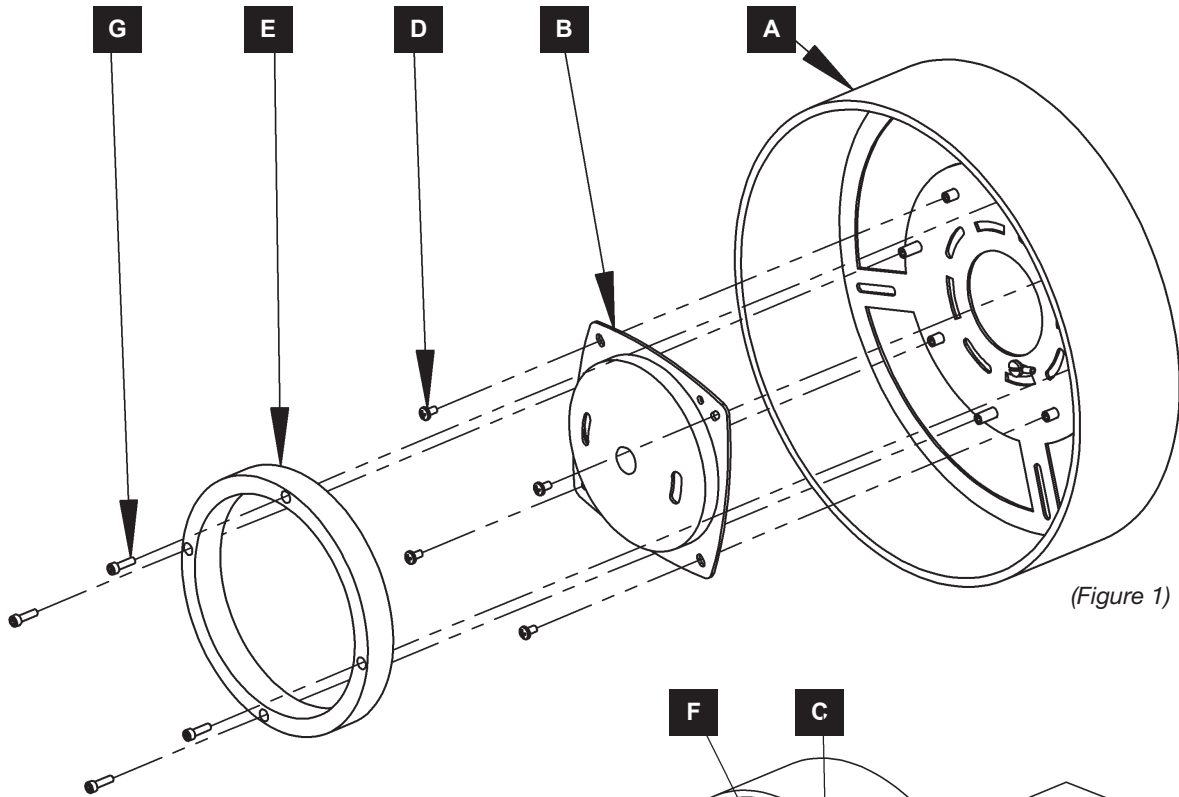
CAUTION: MAKE SURE WIRE CONNECTORS ARE TWISTED ON SECURELY, AND NO BARE WIRE IS EXPOSED.

5. Align holes in LED puck (B) with short standoffs (C) on fixture (A). Screw phillips head screws (D) into short standoffs (C) to secure LED puck (B). (Figure 2)
6. Align holes in threaded ring (E) with tall standoffs (F) on fixture (A). Make sure larger holes on threaded ring are facing away from wall. Thread hex screws (G) into tall standoffs (F) and tighten to secure threaded ring (E).

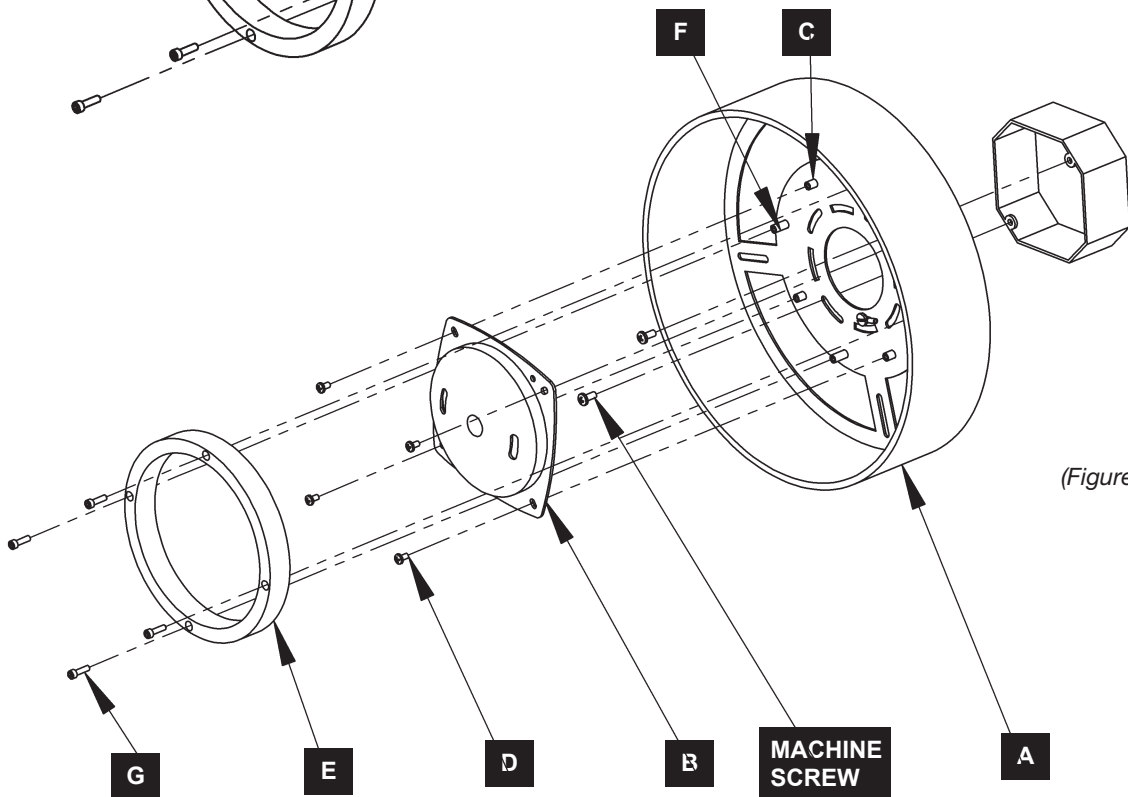
ASSEMBLY & INSTALLATION INSTRUCTIONS

B573

Focal Sconce Small 201086



(Figure 1)



(Figure 2)

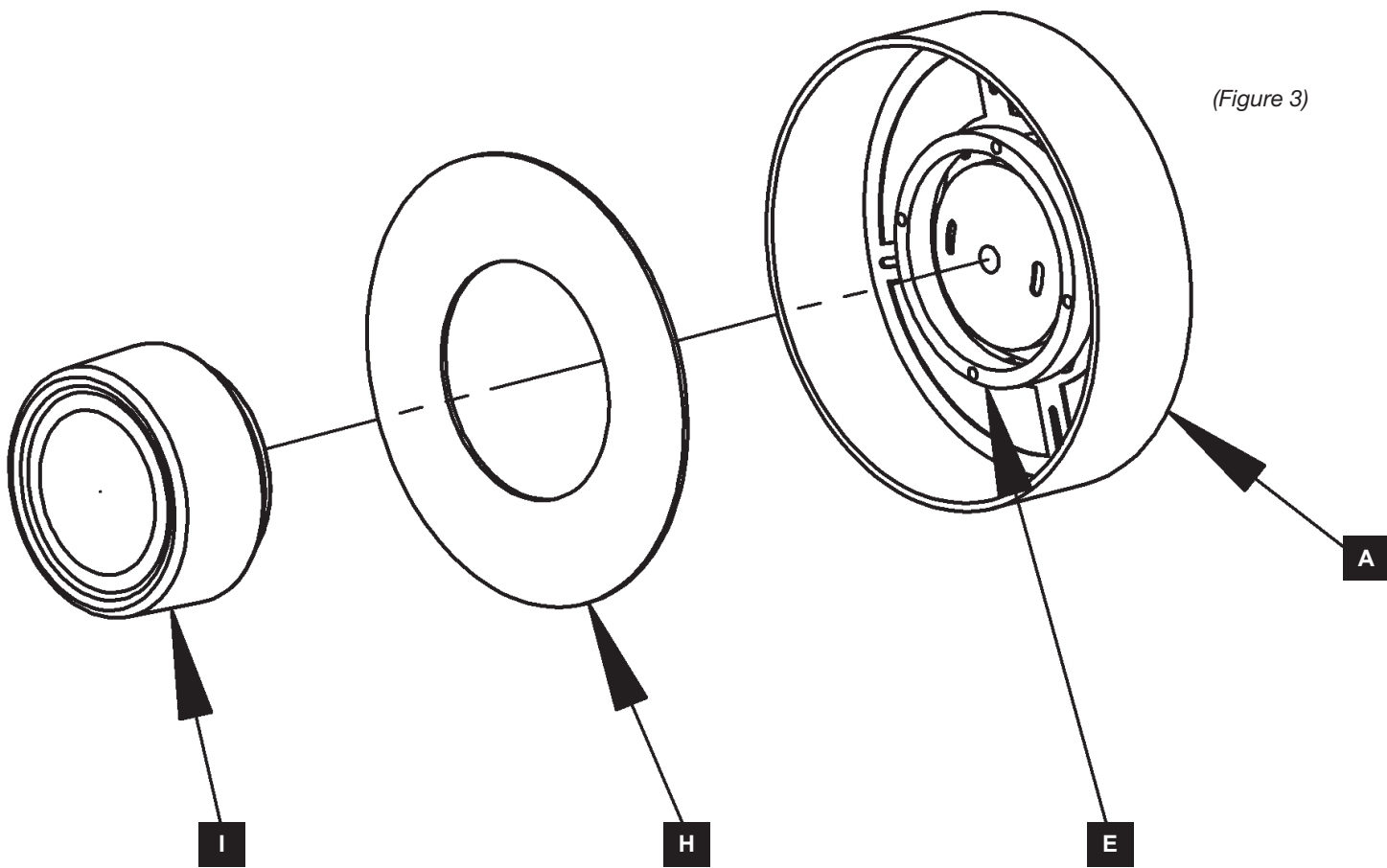


HUBBARDTON FORGE.

To Install Glass

1. Place and hold front plate (H) inside fixture (A) until flush to threaded ring (E).
2. Thread glass (I) through front plate (H) and into threaded ring (E) until tight. Be carefull to not overtighten and break glass (I).
3. Restore electricity at main breaker.

CAUTION: FRONT PLATE IS ONLY HELD ON BY GLASS. MAKE SURE TO HOLD FRONT PLATE IN POSITION WHILE REMOVING GLASS..



If you need further assistance, or find that you are missing any parts, please contact the dealer from which you purchased this product. We hope you enjoy your fixture!

*** Hubbardton Forge will not be liable for injury or damage caused by improper installation, lamping or use of this fixture.**