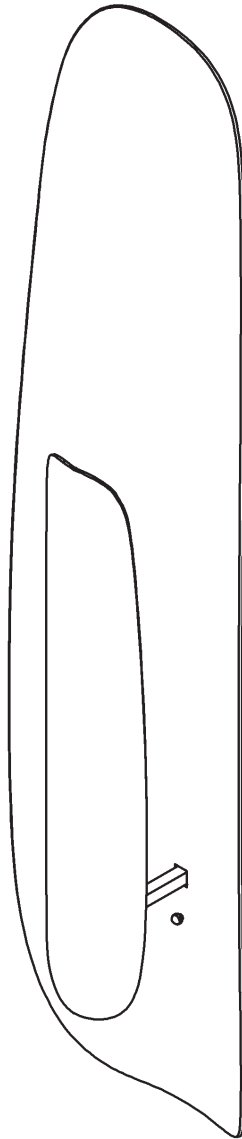


ASSEMBLY & INSTALLATION INSTRUCTIONS

B584

Shield Sconce 201067



Component Parts

- A Fixture**
- B Mounting Bracket**
- C Anchors (2)**
- D #10 Screws (4)**
- E Ground Screw**
- F Cupped Washer**
- G #8 Screws (4)**
- H Safety Cable**
- I Safety Cable Nut**



ASSEMBLY & INSTALLATION INSTRUCTIONS

B584

Shield Sconce 201067

CAUTION: FAILURE TO INSTALL THIS FIXTURE PROPERLY MAY RESULT IN SERIOUS PERSONAL INJURY OR DEATH AND PROPERTY DAMAGE. We recommend installation by a licensed electrician. This product must be installed in accordance with applicable installation code(s), by a person familiar with the construction and operation of the product and the hazards involved.*

Caution: Do not exceed maximum wattage noted on fixture. Use only recommended bulbs with fixture.

Please Note: After installation extra hardware and accessories are possible due to our kits are used on multiple products and options.

To Attach to Wall (Figures 1 & 2 - on following page)

CAUTION: BE SURE POWER IS OFF AT THE MAIN BREAKER BOX PRIOR TO INSTALLATION.

NOTE: DUE TO WEIGHT OF FIXTURE, 2 PEOPLE WILL MAKE THE INSTALL EASIER

1. Carefully unpack fixture (A) from carton.
2. Place mounting bracket (B) over electrical box being sure to hold it plumb and level. Line up holes in mounting bracket (B) with holes in electrical box. With a pencil, mark location of all mounting holes in mounting bracket (B) on wall behind. Set bracket aside.

IMPORTANT: Wall mounting bracket must be secured to a solid framing member. Do not depend on drywall anchors alone to support this fixture (2 in frame, 2 with anchors). If in doubt, contact a qualified electrician.

3. For anchors (C), drill 1/4" holes in locations marked on wall. For holes using anchors (C), place tapered end of anchors (C) into holes and gently tap them flush to wall using a light weight hammer.
4. Thread wires in electrical box through hole in mounting bracket (B) while moving it into position. Using two machine screws (not provided) attach mounting bracket (B) to electric box ensuring correct orientation. (refer to Figure 1 for correct orientation - **Cleat must be on top**) (Figure 1)

Note: A new electric box comes with screws. When replacing a fixture, retain screws for use with new fixture.

5. Using #10 screws (D), screw mounting bracket securely to wall. Be careful not to over-tighten or strip anchors.
6. Raise fixture (A) close to wall and attach safety cable (H) using safety cable nut (I) that is shipped in kit bag. (Figure 2)

NOTE: SAFETY CABLE IS USED TO TEMPORARILY SUSPEND CANOPY WHILE WIRING CONNECTIONS ARE MADE.

7. Attach pigtail lead to bracket (B) using cupped washer (F) and ground screw(E) to electrical box. Using suitable wire connectors (not provided) connect fixture wires to supply wires (white to white and black to black). Connect all ground wires (bare copper or green to bare copper or green) together. (Figure 1)

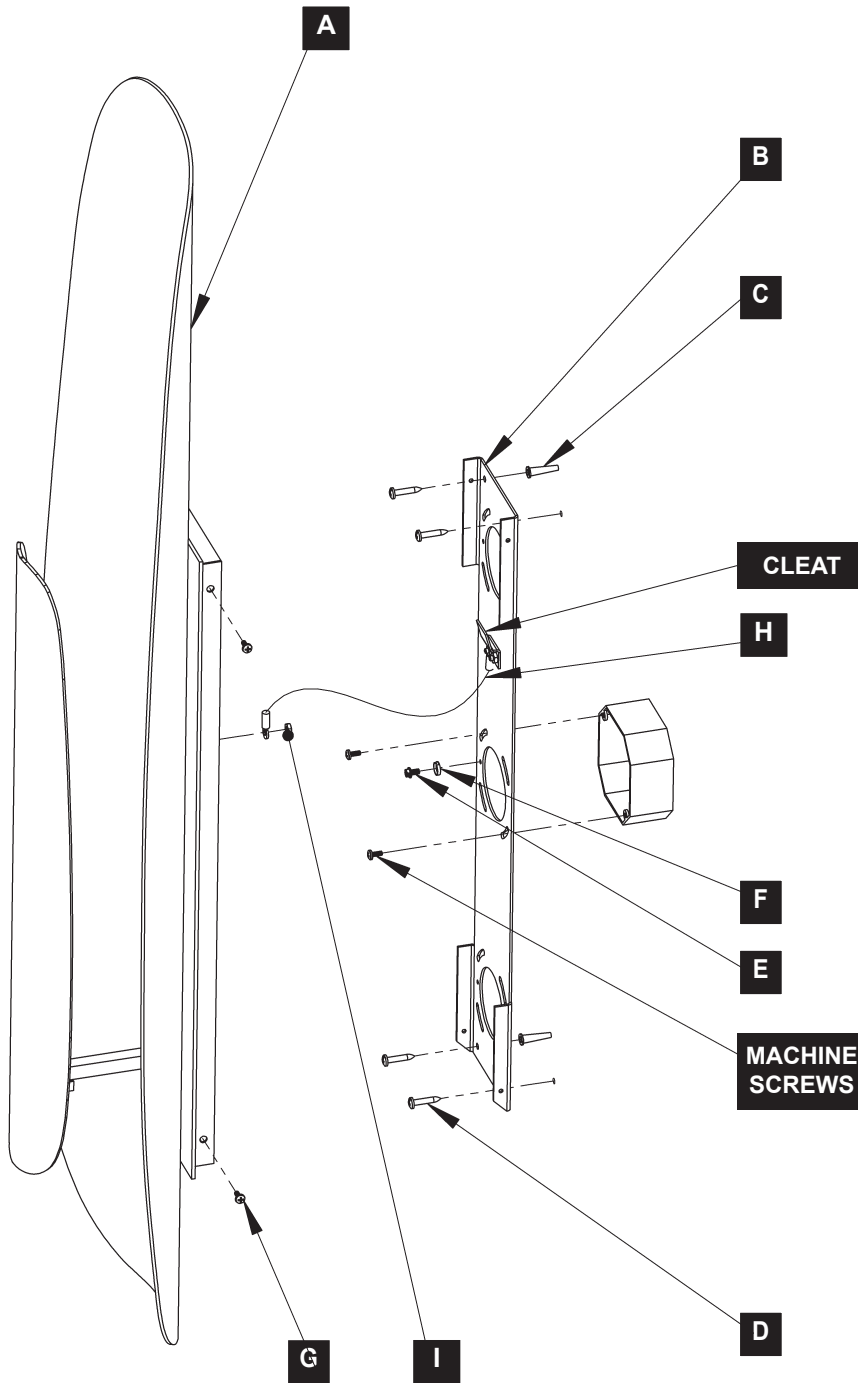
CAUTION: MAKE SURE WIRE CONNECTORS ARE TWISTED ON SECURELY AND NO BARE WIRE IS EXPOSED.

8. Carefully tuck all wires behind fixture (A) and inside the mounting bracket (B). Place fixture (A) over mounting bracket (B). Cross plate in back of fixture (A) will hook over cleat on mounting bracket (B). Secure with #8 screws (G) on each side.
9. Restore electricity at main breaker.

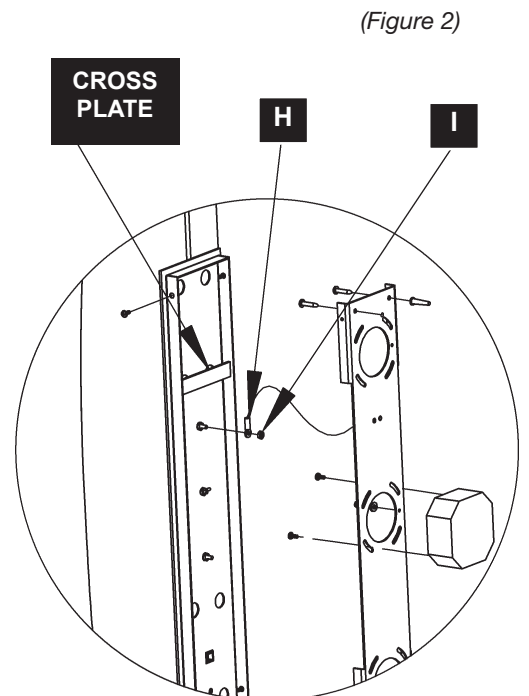
ASSEMBLY & INSTALLATION INSTRUCTIONS

B584

Shield Sconce 201067



(Figure 1)



(Figure 2)

If you need further assistance, or find that you are missing any parts, please contact the dealer from which you purchased this product. We hope you enjoy your fixture!

*** Hubbardton Forge will not be liable for injury or damage caused by improper installation, lamping or use of this fixture.**