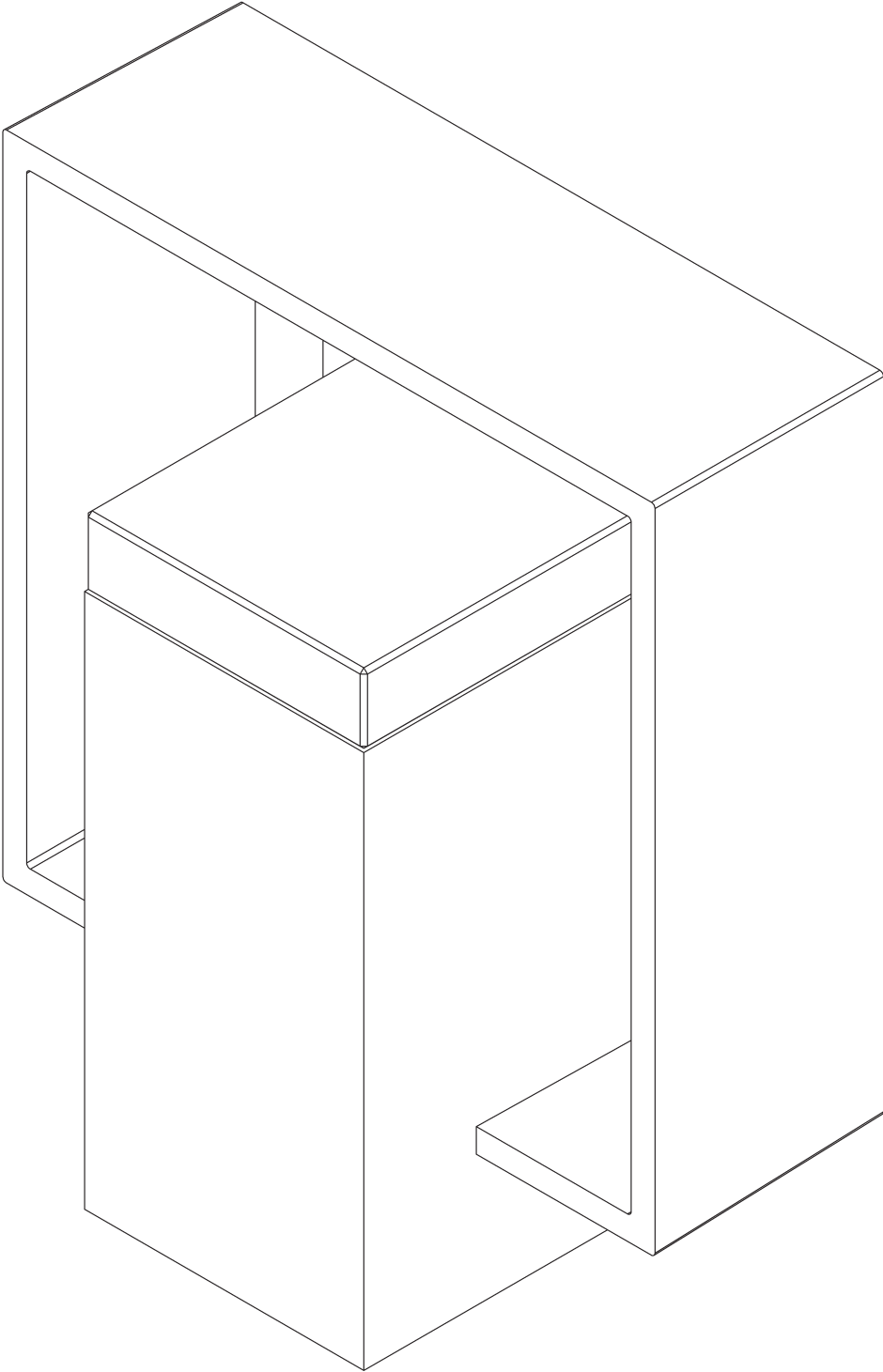


ASSEMBLY & INSTALLATION INSTRUCTIONS

B371

Shadowbox Small - 302601 & 302661



Component Parts

- A Fixture**
- B Crossbar**
- C Threaded Studs (2)**
- D Square Tube**
- E Flat Head Thumb Screw**
- F Ball Head Thumb Screws (2)**
- G Reflector**
- H Cupped Washer**
- I Ground Screw**
- J Caulking Lip**
- K Barrel Knobs (2)**
- L Glass Block**
- M Bulb (Not Included)**



ASSEMBLY & INSTALLATION INSTRUCTIONS

B371

Shadowbox Small - 302601 & 302661

CAUTION: FAILURE TO INSTALL THIS FIXTURE PROPERLY MAY RESULT IN SERIOUS PERSONAL INJURY OR DEATH AND PROPERTY DAMAGE. We recommend installation by a licensed electrician. This product must be installed in accordance with applicable installation code(s), by a person familiar with the construction and operation of the product and the hazards involved.*

Caution: Do not exceed maximum wattage noted on fixture. Use only recommended bulbs with fixture.

Please Note: After installation extra hardware and accessories are possible; our kits are used on multiple products.

To Install Fixture (Figures 1 thru 3 - on next page)

CAUTION: BE SURE POWER IS OFF AT THE MAIN BREAKER BOX PRIOR TO INSTALLATION.

1. Carefully unpack the fixture from the carton.
2. Using two machine screws (not provided) fasten the crossbar (B) to the electric box.

NOTE: A NEW ELECTRIC BOX COMES WITH SCREWS. WHEN REPLACING A FIXTURE, RETAIN THE EXISTING SCREWS FOR USE WITH THE NEW FIXTURE.

3. Thread studs (C) into the appropriate holes in the crossbar (B) that line up with holes in the fixture (A).
4. Unscrew two ball head thumb screws (F) from the bottom of square tube (D) until the square tube (D) can be removed from fixture (A).

Note: The reflector (G) is shipped inside square tube (D); keep together for later installation.

Hold fixture (A) close to wall. Using suitable wire connectors (not provided) connect fixture wires to supply wires (white to white and black to black). Attach a pigtail lead to the crossbar (B) using the cupped washer (H) and ground screw (I). Connect all ground wires (bare copper or green to bare copper or green).

CAUTION: MAKE SURE WIRE CONNECTORS ARE TWISTED ON SECURELY, AND NO BARE WIRE IS EXPOSED.

5. Apply a generous bead of a suitable caulking material (not provided) to caulking lip (J) on the fixture. Caulk should be applied around the entire perimeter of the backplate (Figure 2).
6. Slide fixture (A) over threaded studs (C) and push firmly to wall. Fasten with barrel knobs (K). Be sure threaded studs are fully seated in the barrel knobs.

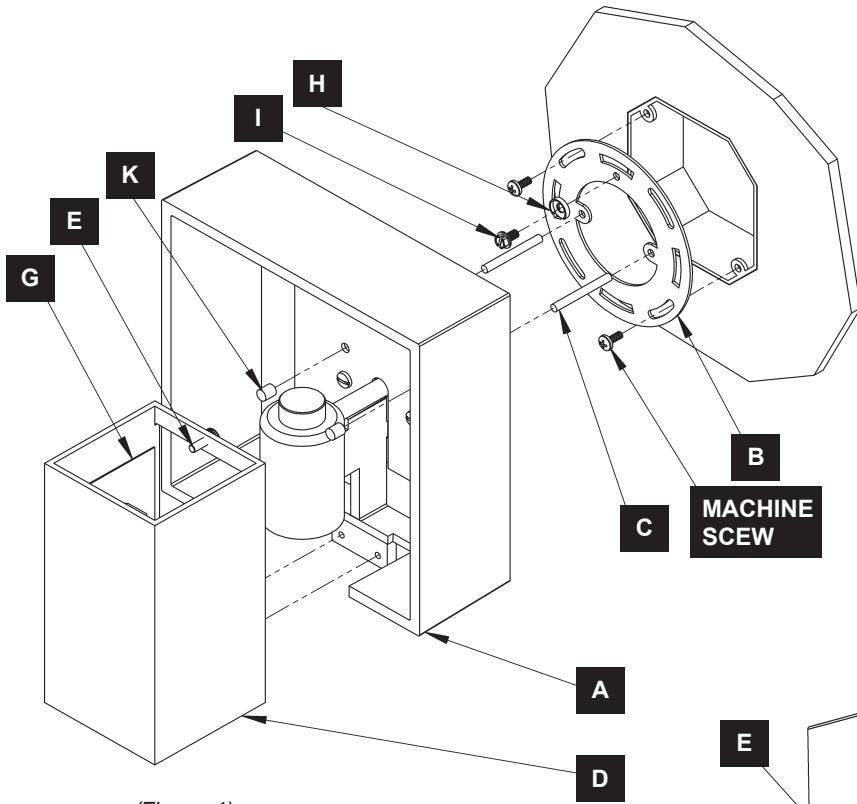
CAUTION: BE SURE NO WIRES ARE PINCHED BETWEEN THE WALL AND FIXTURE.

7. See instructions on next page to complete installation.

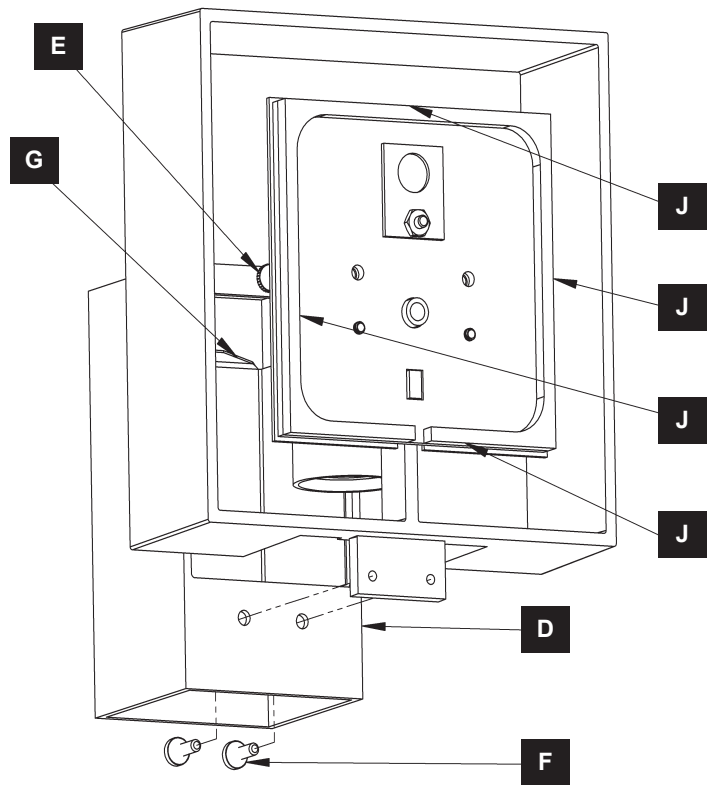
ASSEMBLY & INSTALLATION INSTRUCTIONS

B371

Shadowbox Small - 302601 & 302661



(Figure 1)



(Figure 2)

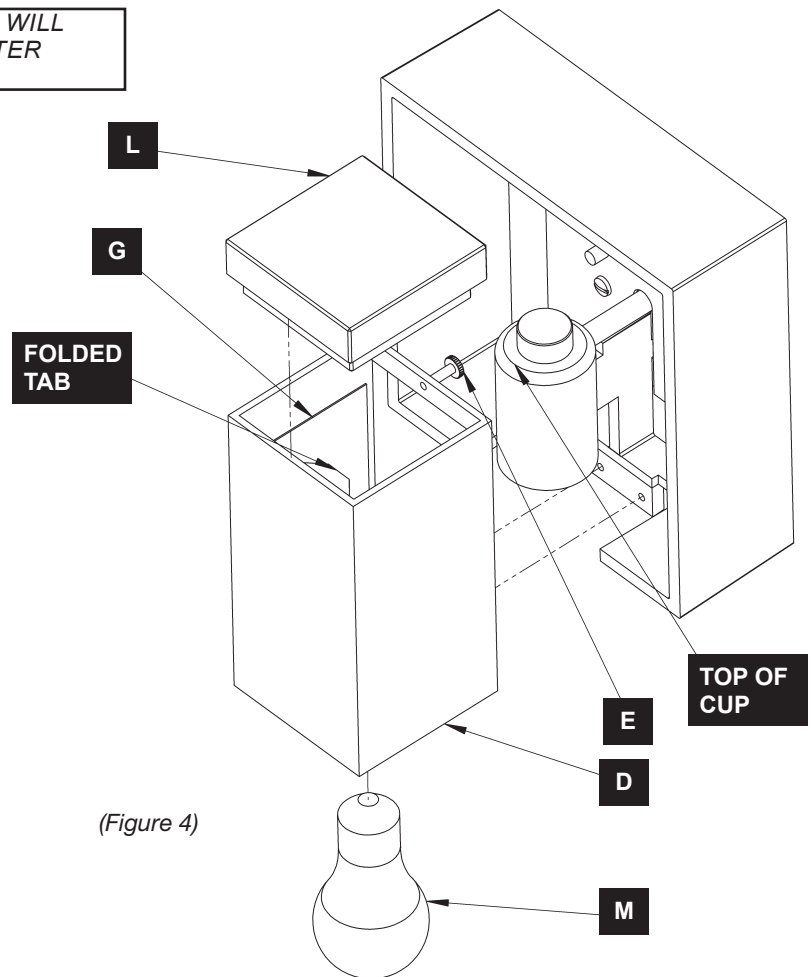
Shadowbox Small - 302601 & 302661

To Complete Install *(Figure 4)*

1. Loosen the flat head thumb screw (E) in the top of the square tube (D) but do not remove it completely.
2. Set the glass block (L) on top of square tube (D) so that it settles into the square tube with the hole in the glass block aligned with the flat head thumb screw (E).
Retighten the thumb screw to secure the glass block.
3. Use two ball head thumb screws (F) to secure the square tube (D) with attached glass block (L) to fixture (A). Tighten ball head thumb screws against square tube to secure it to fixture.

NOTE: THE FOLDED TAB IN REFLECTOR (P) WILL REST ON TOP OF SOCKET (O) CUP IN IT AFTER SQUARE TUBE (D) IS INSTALLED.

4. Install wet location bulb (M), not included.
5. Restore electricity at main breaker.



(Figure 4)

If you need further assistance, or find that you are missing any parts, please contact the dealer from which you purchased this product. We hope you enjoy your fixture!

*** Hubbardton Forge will not be liable for injury or damage caused by improper installation, lamping or use of this fixture.**