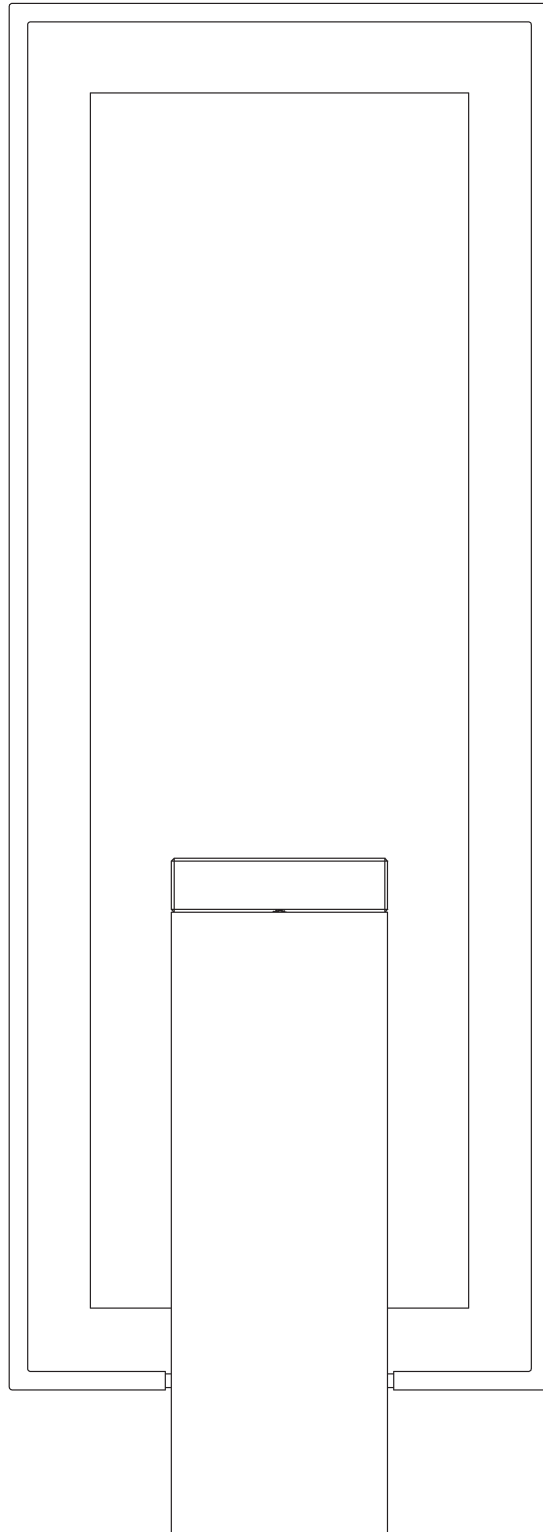


ASSEMBLY & INSTALLATION INSTRUCTIONS

B516

Shadowbox Large with Slate 302604 & 302664



Component Parts

- A Fixture**
- B Crossbar**
- C Threaded Studs (2)**
- D Square Tube**
- E Flat Head Thumb Screw**
- F Ball Head Thumb Screws (2)**
- G Cupped Washer**
- H Ground Screw**
- I Caulking Lip**
- J Barrel Knobs (2)**
- K Slate**
- L #8 Screws (2)**
- M Glass Block**
- N Bulb (Not Included) (2)**
- O Top Socket**
- P Glass Shield**
- Q Curved Plate**



ASSEMBLY & INSTALLATION INSTRUCTIONS

B516

Shadowbox Large with Slate 302604 & 302664

CAUTION: FAILURE TO INSTALL THIS FIXTURE PROPERLY MAY RESULT IN SERIOUS PERSONAL INJURY OR DEATH AND PROPERTY DAMAGE. We recommend installation by a licensed electrician. This product must be installed in accordance with applicable installation code(s), by a person familiar with the construction and operation of the product and the hazards involved.*

Caution: Do not exceed maximum wattage noted on fixture. Use only recommended bulbs with fixture.

Please Note: After installation extra hardware and accessories are possible; our kits are used on multiple products.

To Install Fixture (Figures 1 thru 3 - on next page)

CAUTION: BE SURE POWER IS OFF AT THE MAIN BREAKER BOX PRIOR TO INSTALLATION.

1. Carefully unpack the fixture from the carton.
2. Using two machine screws (not provided) fasten the crossbar (B) to the electric box with the slot in crossbar pointing down (Figure 3).

NOTE: A NEW ELECTRIC BOX COMES WITH SCREWS. WHEN REPLACING A FIXTURE, RETAIN THE EXISTING SCREWS FOR USE WITH THE NEW FIXTURE.

3. Thread studs (C) into the appropriate holes in the crossbar (B) that line up with holes in the fixture (A).
4. Unscrew two ball head thumb screws (F) from the bottom of square tube (D) until the square tube (D) can be removed from fixture (A).
5. Carefully unpack slate (K), place against back plate of fixture (A) and secure with #8 screws (L). #8 screws can be found in kit bag. (Figure 1)
6. Attach a pigtail lead to the crossbar (B) using the cupped washer (G) and ground screw (H). Connect all ground wires (bare copper or green to bare copper or green).
7. Hold fixture (A) close to wall. Using suitable wire connectors (not provided) connect fixture wires to supply wires (white to white and black to black).

CAUTION: MAKE SURE WIRE CONNECTORS ARE TWISTED ON SECURELY, AND NO BARE WIRE IS EXPOSED.

8. Apply a generous bead of a suitable caulking material (not provided) to caulking lip (I) on the fixture. Caulk should be applied around the entire perimeter of the back plate (Figure 2).
9. Slide fixture (A) over threaded studs (C) and push firmly to wall, Fasten with barrel knobs (J). Be sure threaded studs (C) are fully seated in the barrel knobs (J).

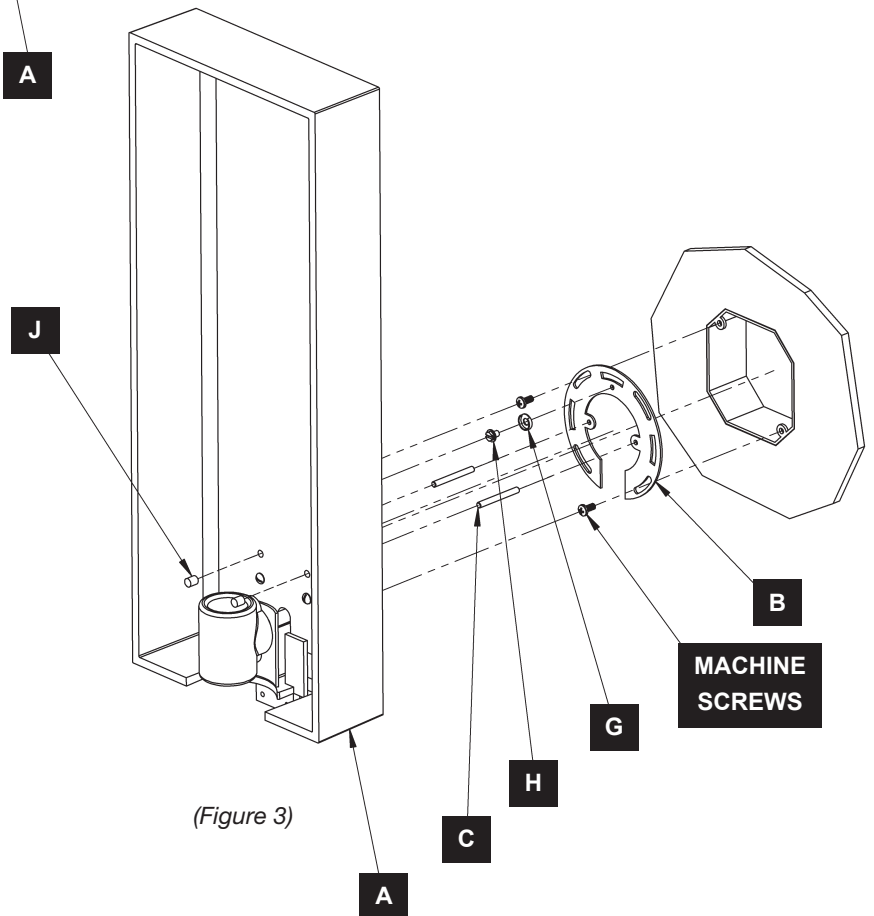
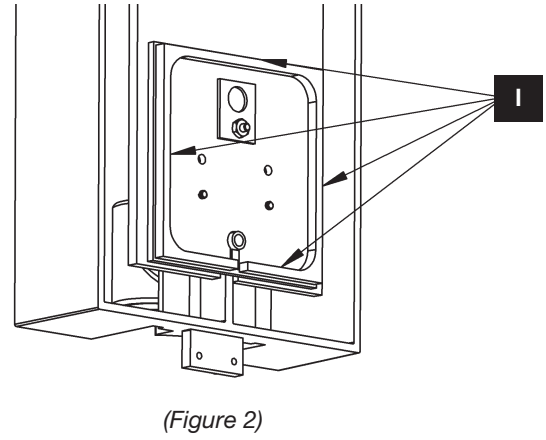
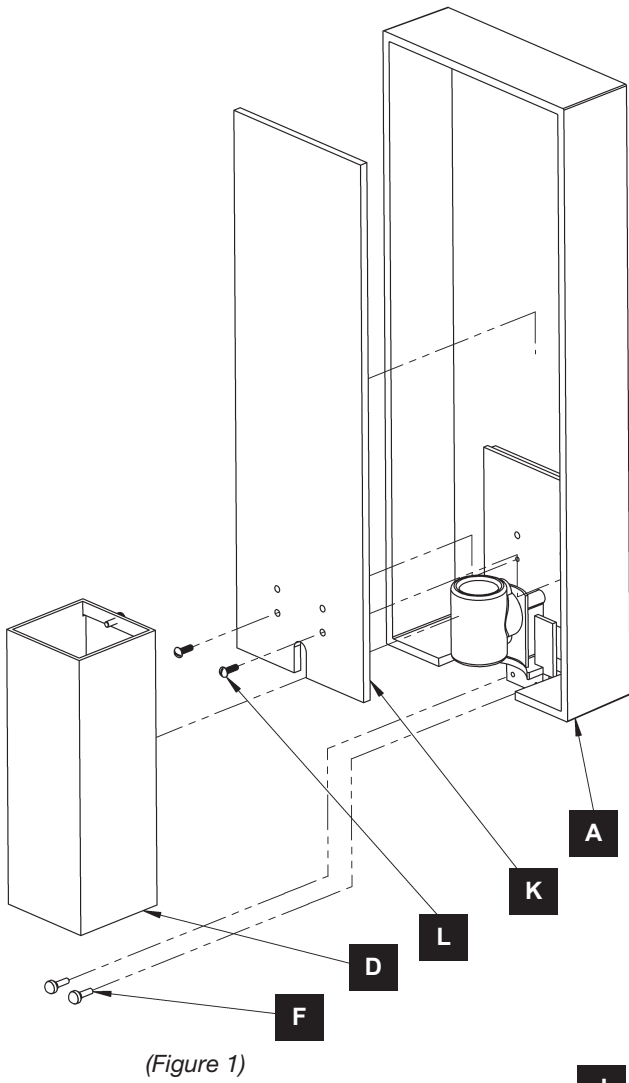
CAUTION: BE SURE NO WIRES ARE PINCHED BETWEEN THE WALL AND FIXTURE.

10. See instructions on last page to complete installation.

ASSEMBLY & INSTALLATION INSTRUCTIONS

B516

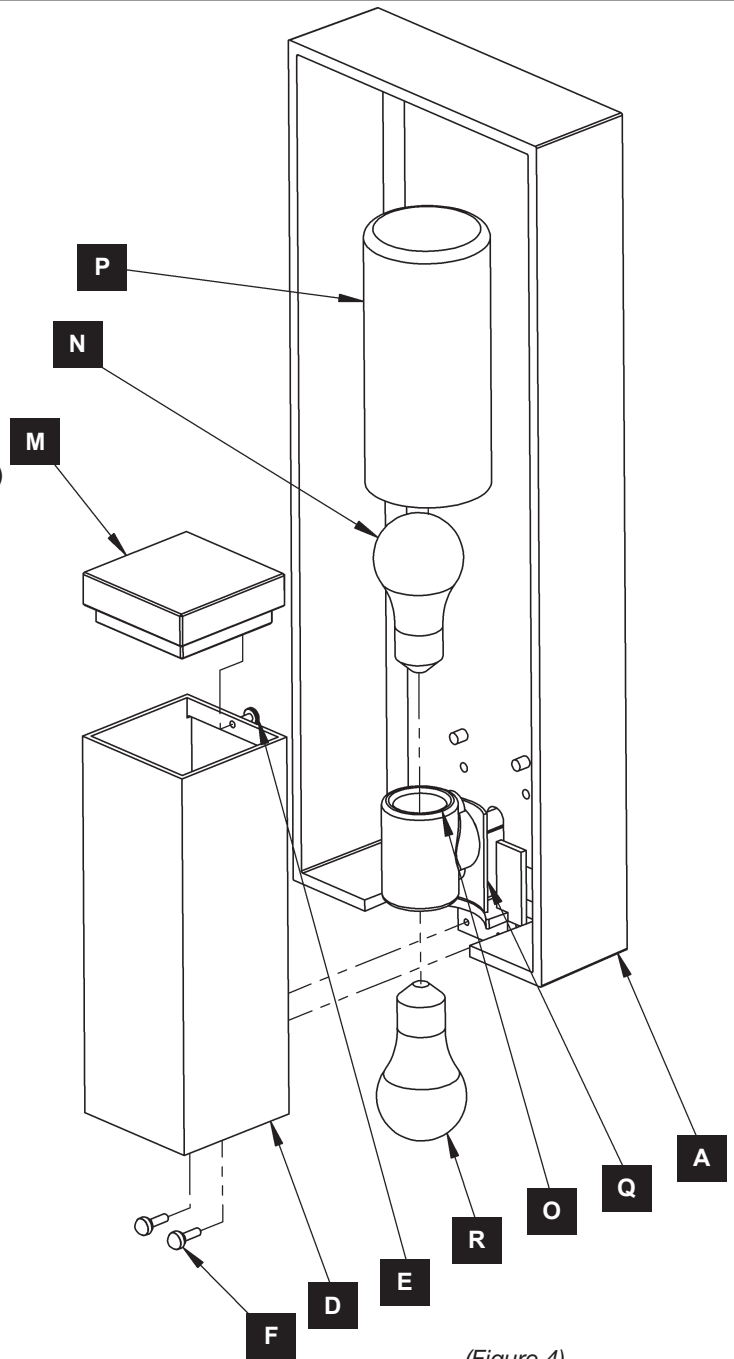
Shadowbox Large with Slate 302604 & 302664



Shadowbox Large with Slate 302604 & 302664

To Complete Install *(Figure 4)*

1. Loosen flat head thumb screw (E) in top of square tube (D) but do not remove it completely.
2. Set glass block (M) on top of square tube (D) so that it settles into square tube with the hole in the glass aligned with flat head thumb screw (E). Retighten thumb screw to secure glass block.
3. Install bulb (N) (*not included*) into the top socket (O).
4. Install glass shield (P) over bulb (N) and let it rest on fixture (A) with the curved plate (Q) on the inside of the glass shield.
5. Carefully slide square tube (D) around glass shield (P) and use two ball head thumb screws (F) to secure the square tube with attached glass block (M) to fixture (A).
6. Install bulb (N) (*not included*) in lower socket.
7. Restore electricity at main breaker.



(Figure 4)

If you need further assistance, or find that you are missing any parts, please contact the dealer from which you purchased this product. We hope you enjoy your fixture!

**** Hubbardton Forge will not be liable for injury or damage caused by improper installation, lamping or use of this fixture.***