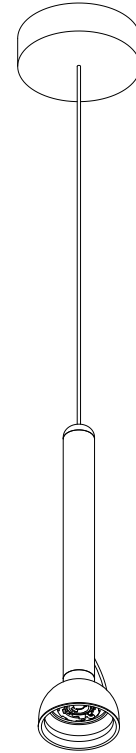


# Berry

Stone Designs

Berry S



## ADVERTENCIAS

- Se recomienda que la instalación sea realizada por un profesional.
- Desconectar la conexión a red antes de ser manipulada.
- Si el cable de la luminaria está dañado, deberá sustituirse exclusivamente por el fabricante o su servicio técnico.
- La fuente de luz de esta luminaria debe reemplazarse únicamente por el fabricante o su servicio técnico, o por una persona cualificada equivalente con objeto de evitar cualquier riesgo.
- Para limpiar la luminaria, utilizar un paño suave humedecido con agua y, si fuera necesario, detergente neutro. No usar alcohol u otros disolventes.

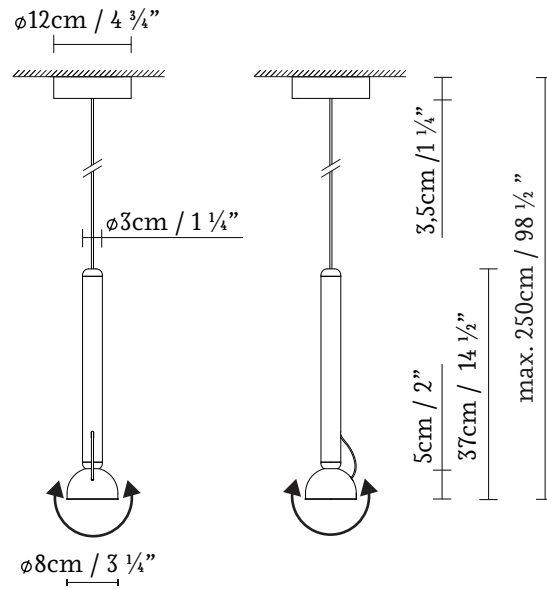
## WARNINGS

- The light should be installed by a professional electrician.
- Disconnect from the power system before handling the light.
- If the lamp cable is damaged, it should only be replaced by the manufacturer or its technical service.
- The light source of this lamp should only be replaced by the manufacturer, its technical service or a similarly qualified person, in order to prevent risks.
- To clean the lamp, use a soft cloth dampened with water and, if necessary, neutral soap. Do not use alcohol or other solvents.

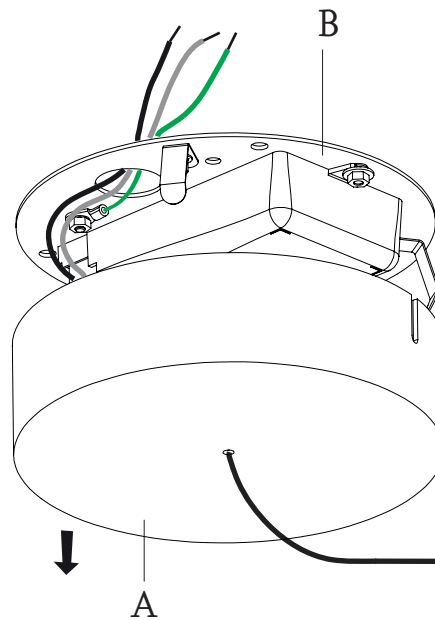
## HINWEISE

- Wir empfehlen, die Installation von einem Fachmann vornehmen zu lassen.
- Unterbrechen Sie die Verbindung zum Netz vor Beginn der Arbeiten.
- Wenn das Kabel der Leuchte beschädigt ist, darf es ausschließlich vom Hersteller oder dessen technischem Dienst ausgetauscht werden.
- Die Lichtquelle dieser Leuchte darf ausschließlich vom Hersteller oder dessen technischem Dienst bzw. einer Person mit vergleichbaren Qualifikationen ausgetauscht werden, um jedwedes Risiko zu vermeiden.
- Zur Reinigung der Leuchte empfiehlt es sich, ein weiches, mit Wasser und, falls nötig, neutralem Reinigungsmittel befeuchtetes Tuch zu verwenden. Keinen Alkohol oder andere Lösungsmittel verwenden.

1.



2.

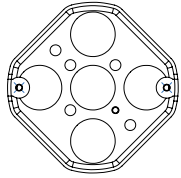


1. General dimensions.

2. Separate the canopy (A) from the bracket (B).

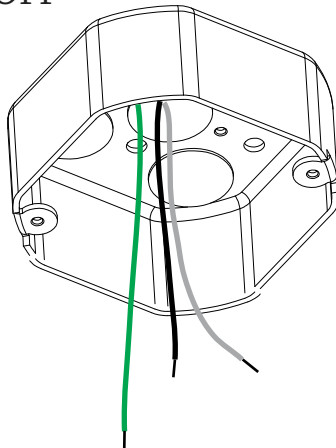
3.

ø 8,89cm / 3 1/2"

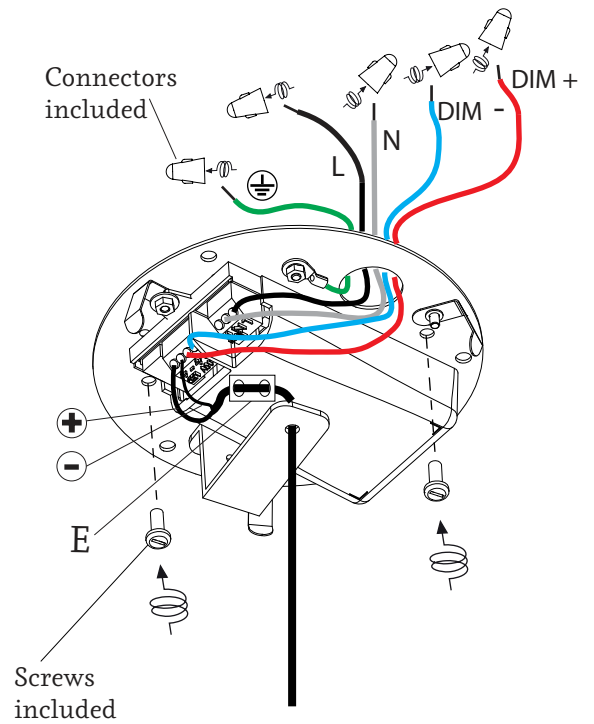
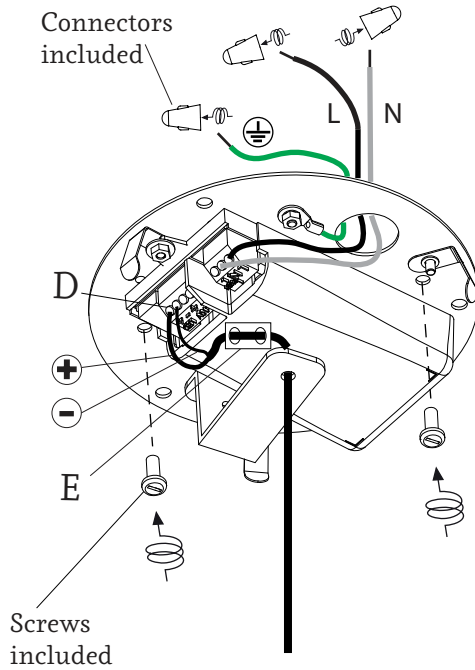
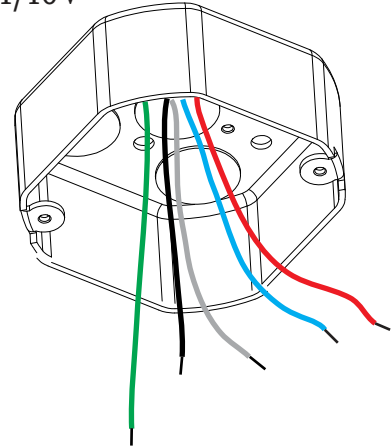


OutletBox  
not included

ON-OFF

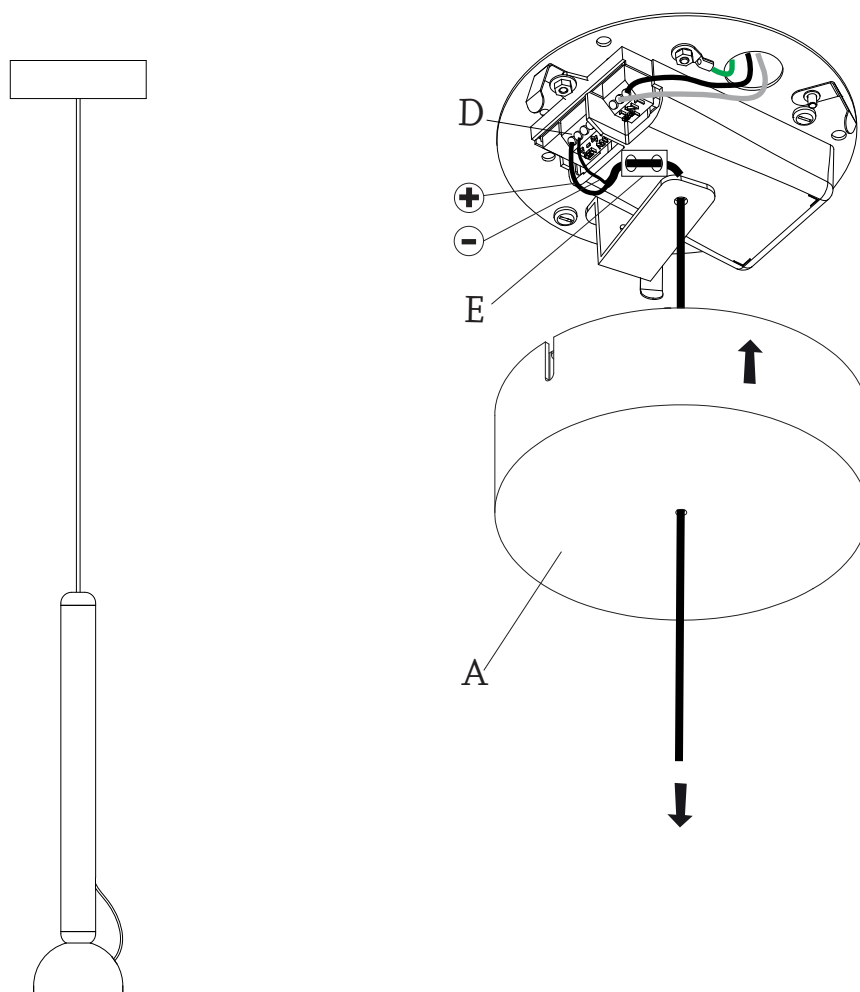


DIM 1/10V



3. All the jobs to be carried out in the fixture (assembly, maintenance or cleanliness) should be done free of tension. Make the electrical connections.

4.



4. Cable connection to a central outlet.  
Pass the wire through the canopy (A). Keep the cable in the retainer (E). Reinsert the wires in the screw terminal (D). Place the canopy, pulling down firmly on the cable.

Lamps without the IP mark are classed as IP20 and are designed for general indoor use, except wet areas (bathrooms, etc.)

- Lamps with the IP mark are designed for outdoor use and in wet areas. (E.g. IP54)
- They offer guaranteed protection to people and animals against electric shocks:

Class I: through single electrical insulation and an earthing conductor once correctly connected.



Class II: through double electrical insulation.



Class III: these kinds of lamps should be connected at very low voltage levels (generally 12V); therefore there is no risk.



• Lamps with this symbol, or without any symbols, can be mounted directly onto normally inflammable surfaces.



• Lamps with this symbol cannot be mounted directly onto normally inflammable surfaces.

• The safety of this lamp is guaranteed by using a maximum wattage bulb that does not exceed the figure displayed visibly on the lamp.



• The product cannot be treated like conventional domestic waste; it must be taken to the appropriate recycling station for electrical and electronic equipment.