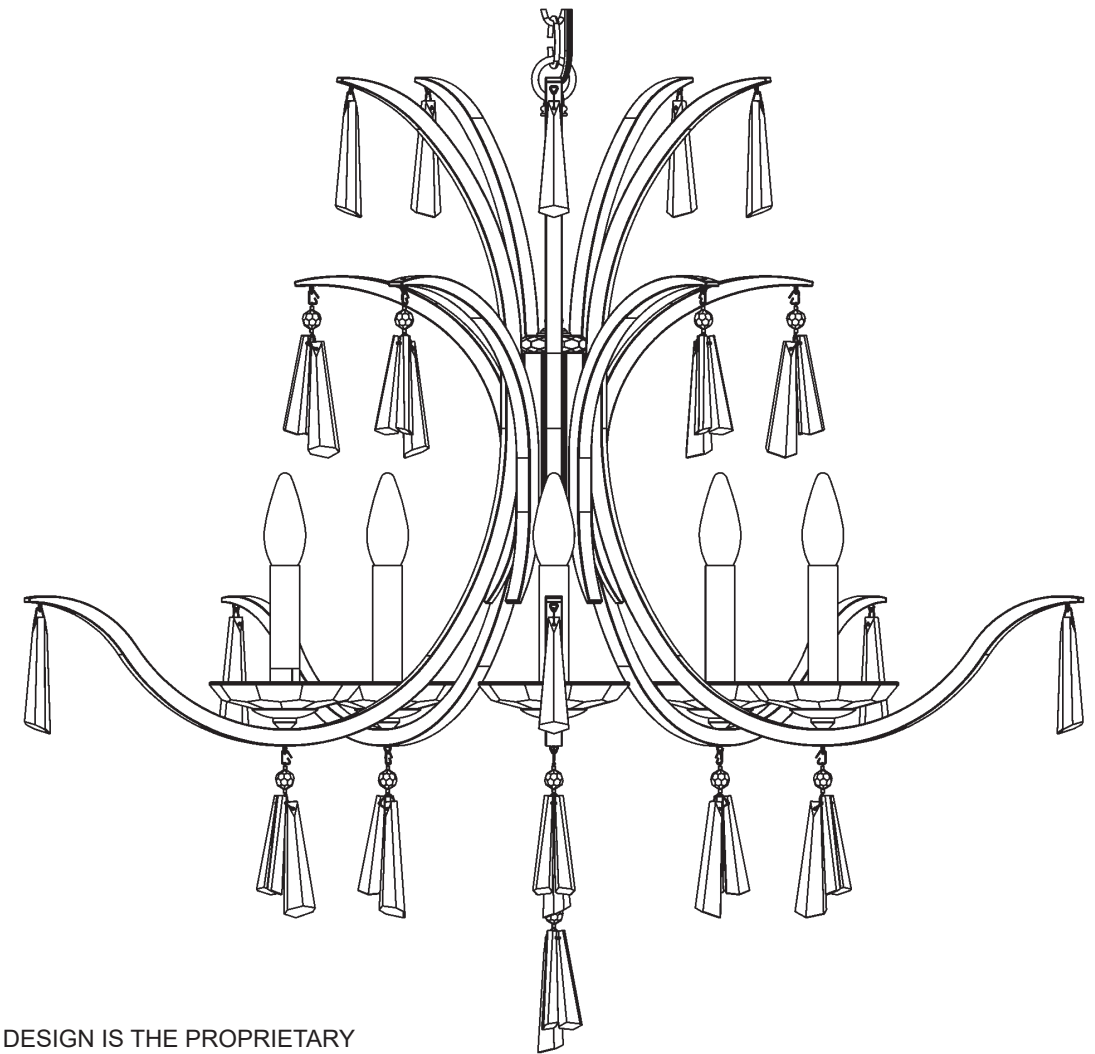


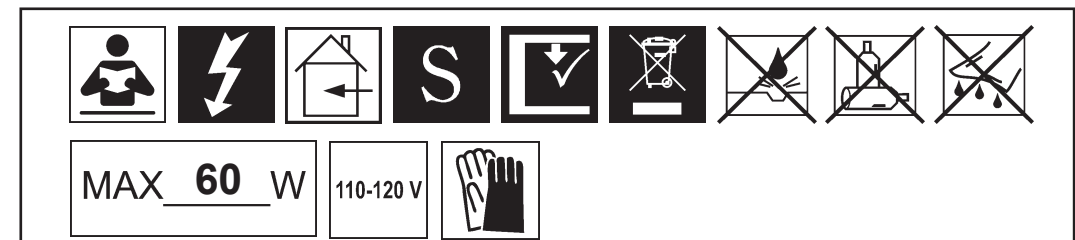
SCHONBEK
Signature[™]

TINSLEY
S30505- __ __ R

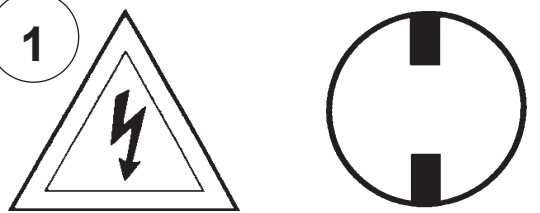


THIS DESIGN IS THE PROPRIETARY
TRADE DRESS/TRADEMARK OF
W SCHONBEK LLC.

SCHONBEK
Signature[™]

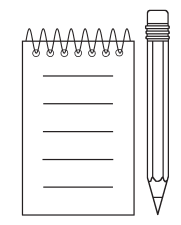
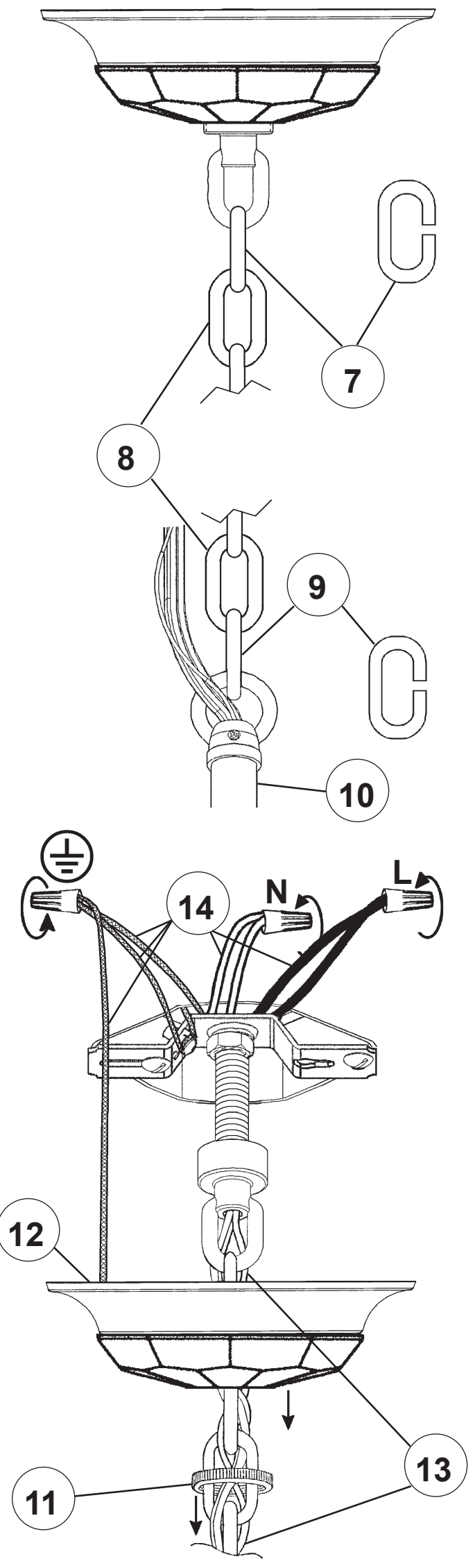
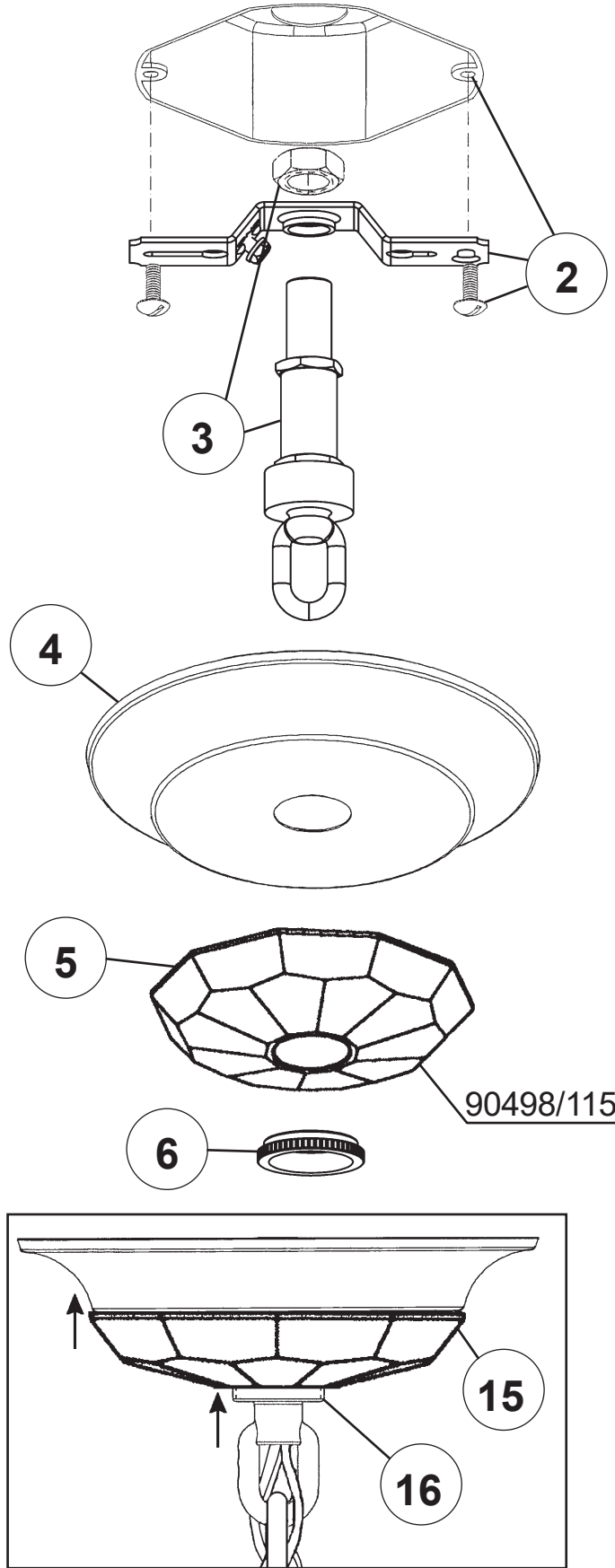


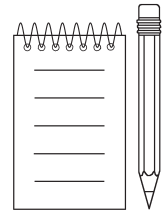
WARNING:

1 

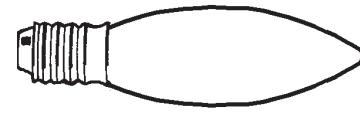
Electrical Danger Turn Power Off

All electrical components must be installed by a licensed electrician in accordance with the National Electric Code and the appropriate local electrical codes.





18

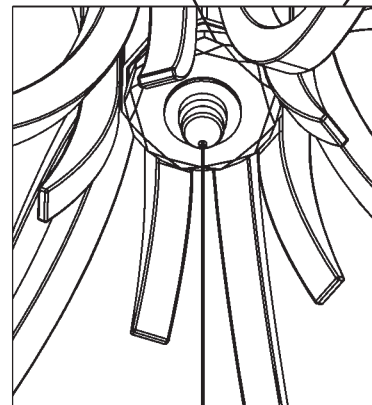


You will need 5 - B10
25 Watts Recommended
60 Watts Max

17

90498/115

90126/50/4



19

SWL2331-FIN1-**

