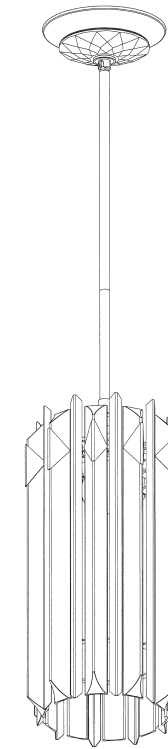


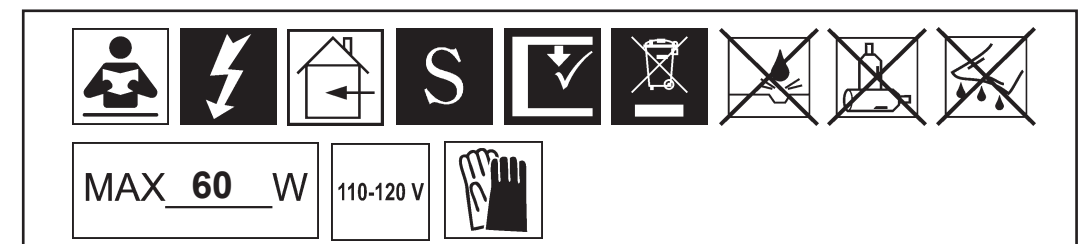
SCHONBEK  
*Signature*<sup>TM</sup>

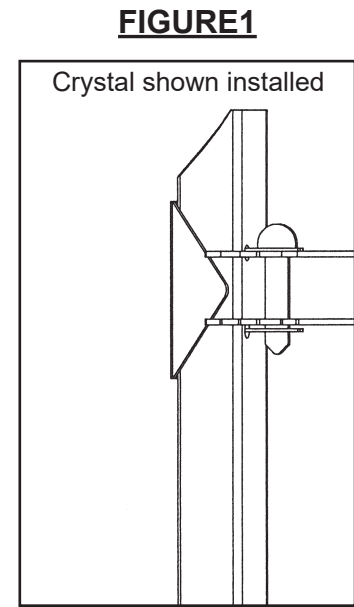
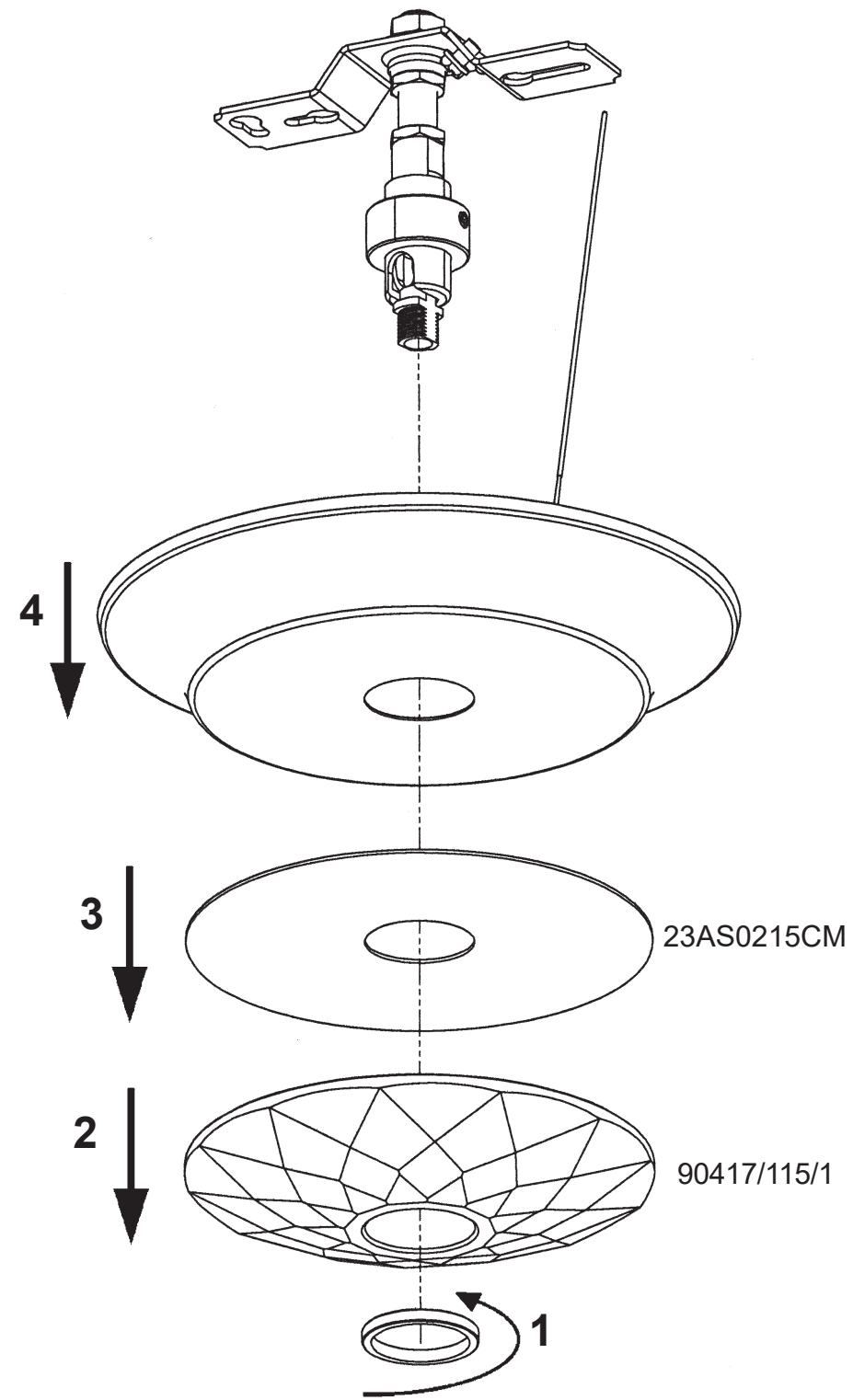
TERINA  
S39608-\_\_ \_\_O



**T**HIS DESIGN IS THE PROPRIETARY  
TRADE DRESS/TRADEMARK OF  
W SCHONBEK LLC.

SCHONBEK  
*Signature*<sup>TM</sup>

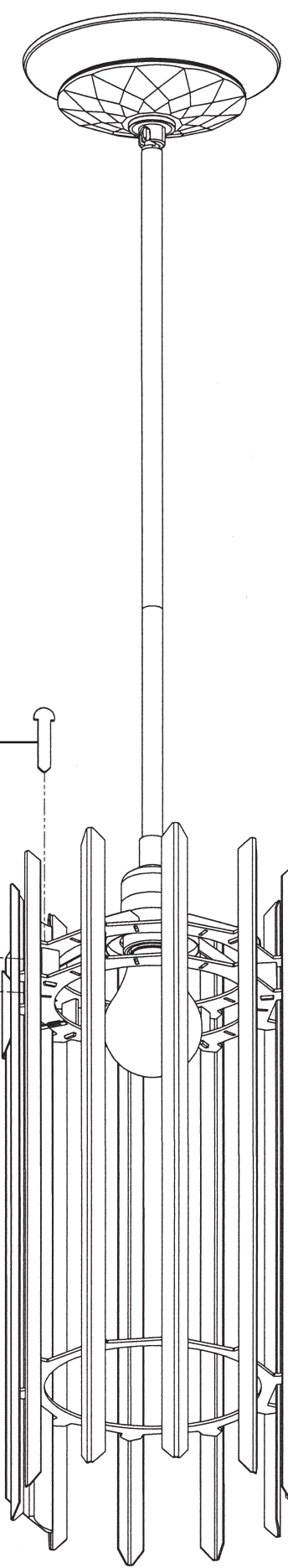


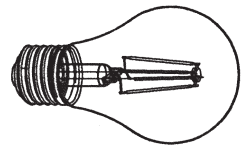


**24**  
41665-\*\*  
NOTE: Insert  
41665-\*\* into  
holes on crystal  
904104/400 then  
install crystal onto  
frame. Secure  
crystal in place  
with 41669.

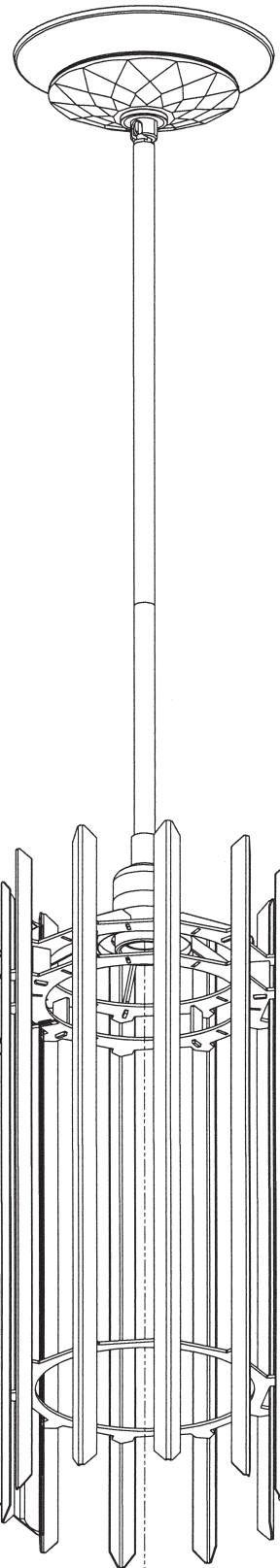
**25**  
904104/400

**26**  
41669



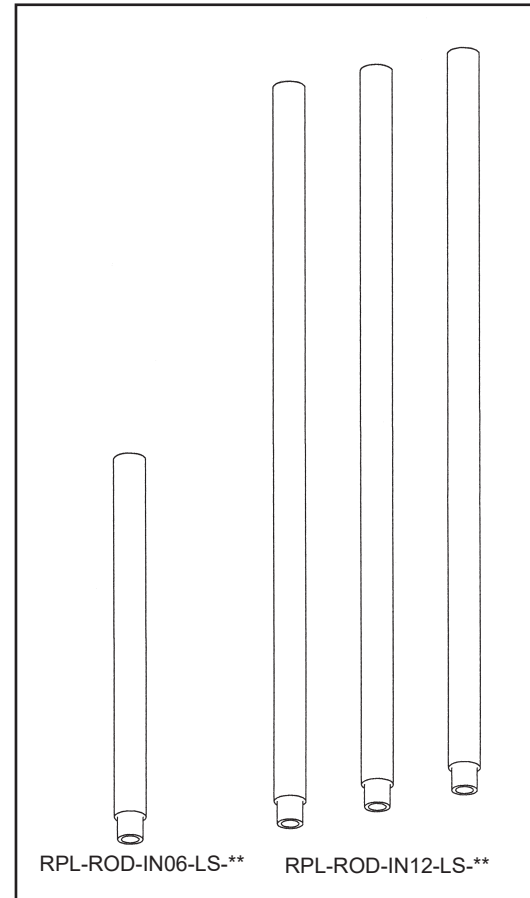


You will need 1 - A19  
25 Watts Recommended  
60 Watts Max



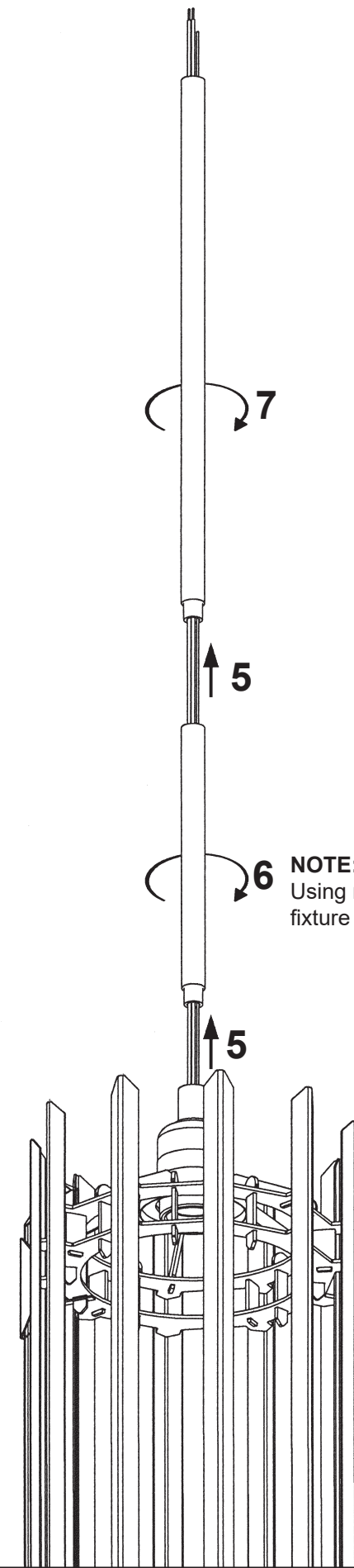
23

### ROD KIT



RPL-ROD-IN06-LS-\*\*

RPL-ROD-IN12-LS-\*\*



NOTE:  
Using rods supplied, set  
fixture to desired height.

