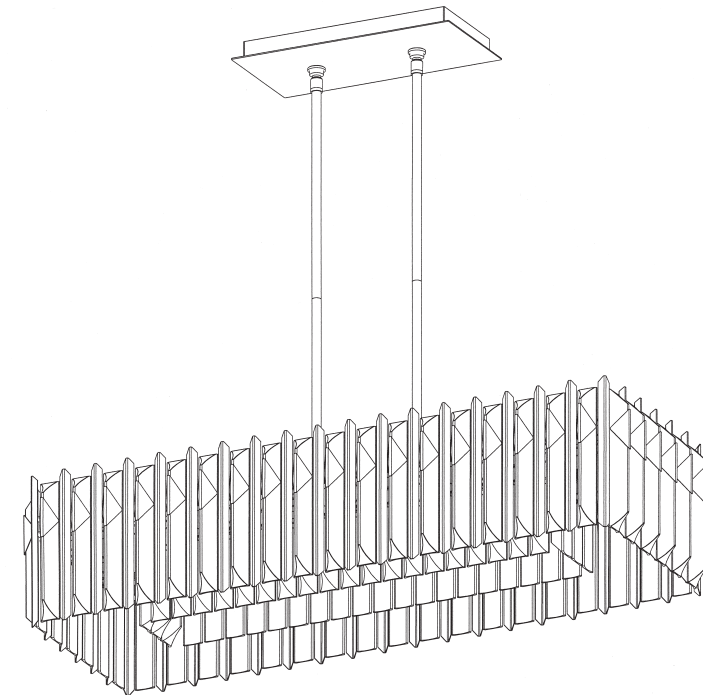


SCHONBEK  
*Signature*<sup>TM</sup>

TERINA  
S39636-\_\_ \_\_O

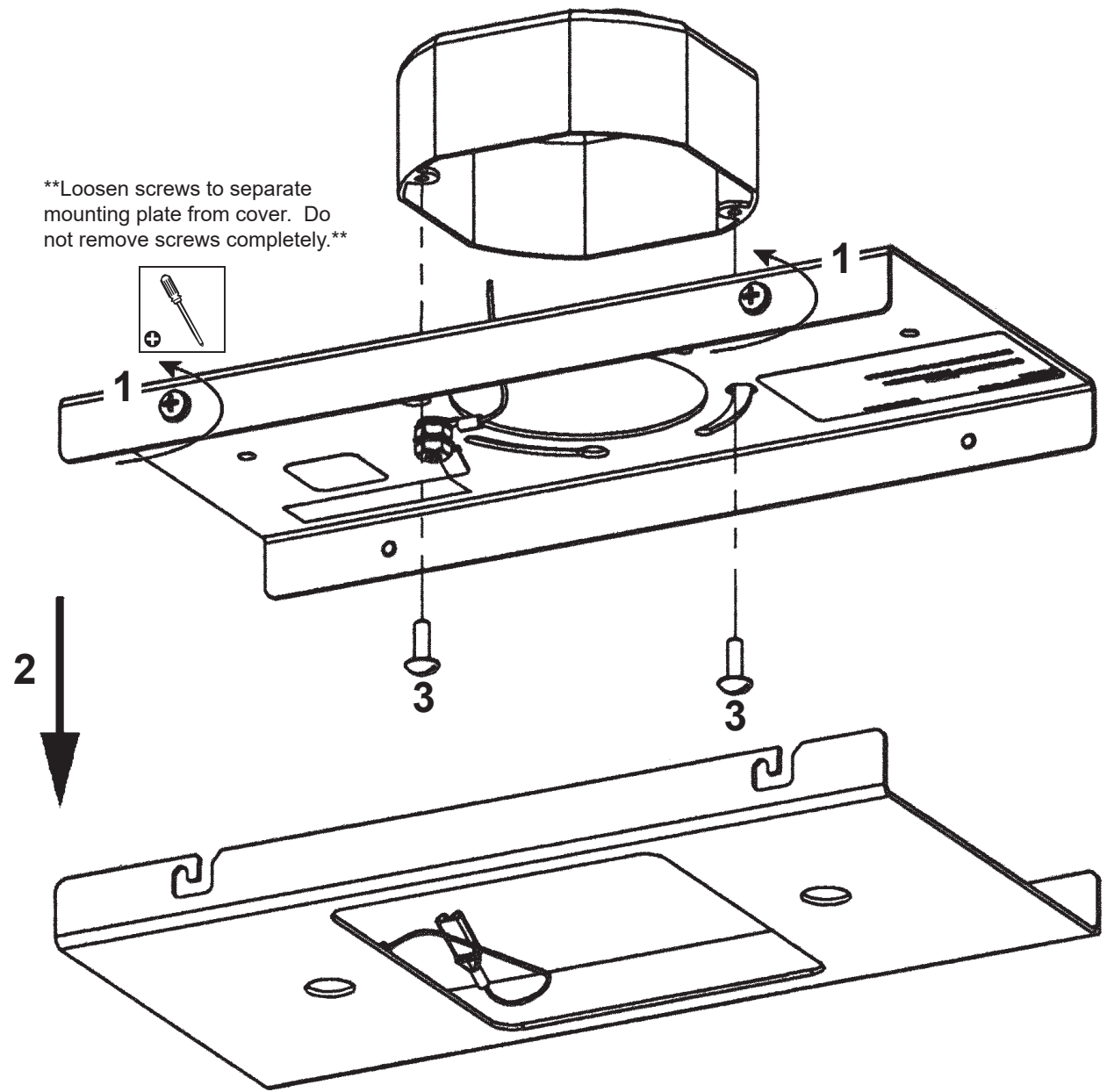


**T**HIS DESIGN IS THE PROPRIETARY  
TRADE DRESS/TRADEMARK OF  
W SCHONBEK LLC.

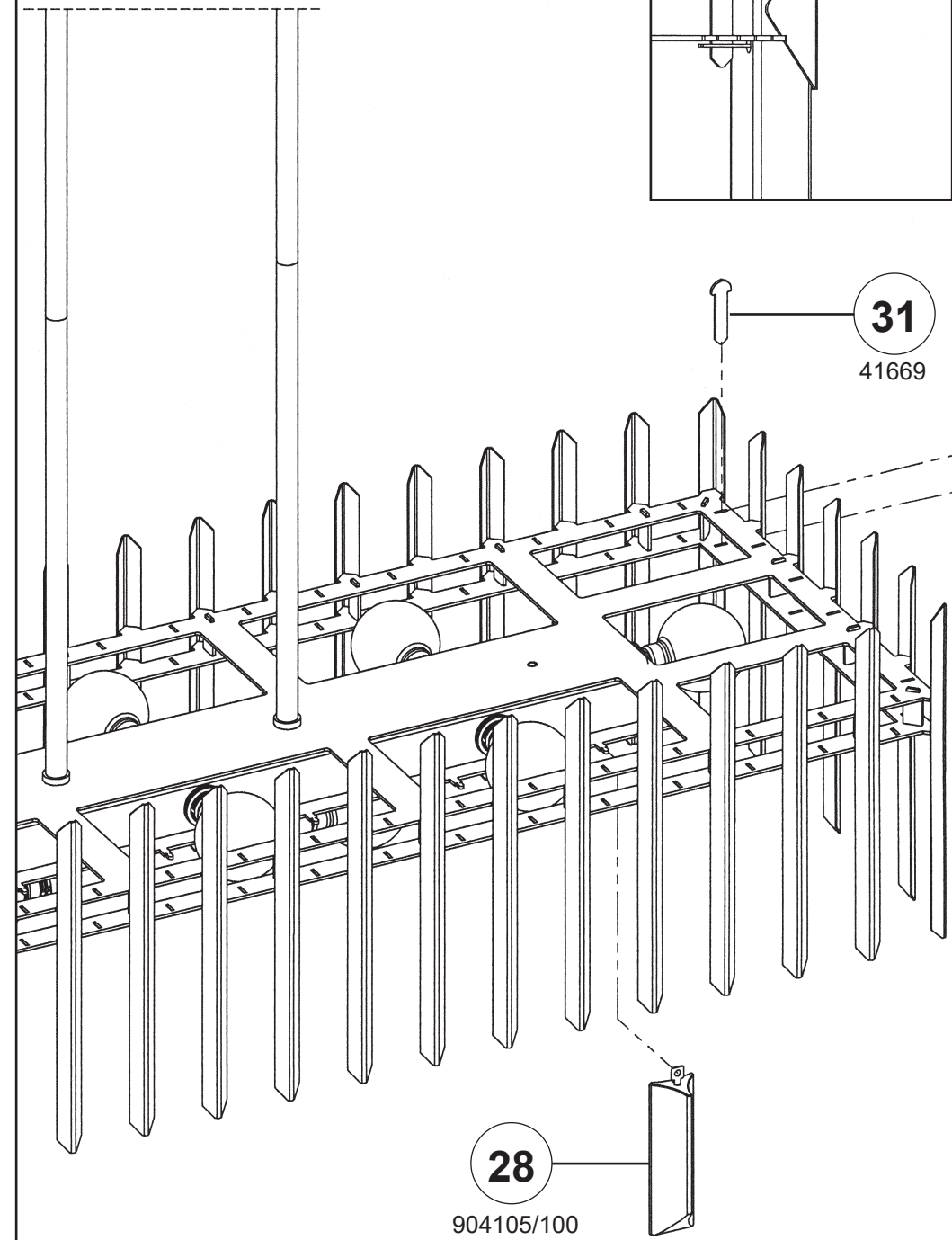
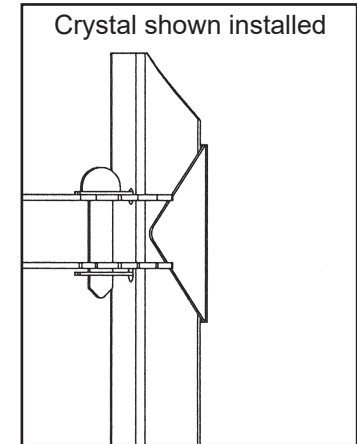
SCHONBEK  
*Signature*<sup>TM</sup>

MAX 40 W	110-120 V							

\*\*Loosen screws to separate mounting plate from cover. Do not remove screws completely.\*\*



**FIGURE 1**



NOTE: Insert 41665-\*\* into holes on crystal 904104/200 then install crystal onto frame. Secure crystal in place with 41669.

**29**

41665-\*\*

**31**

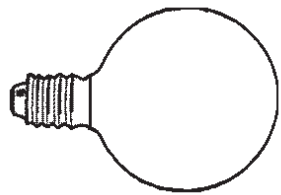
41669

**30**

904104/200

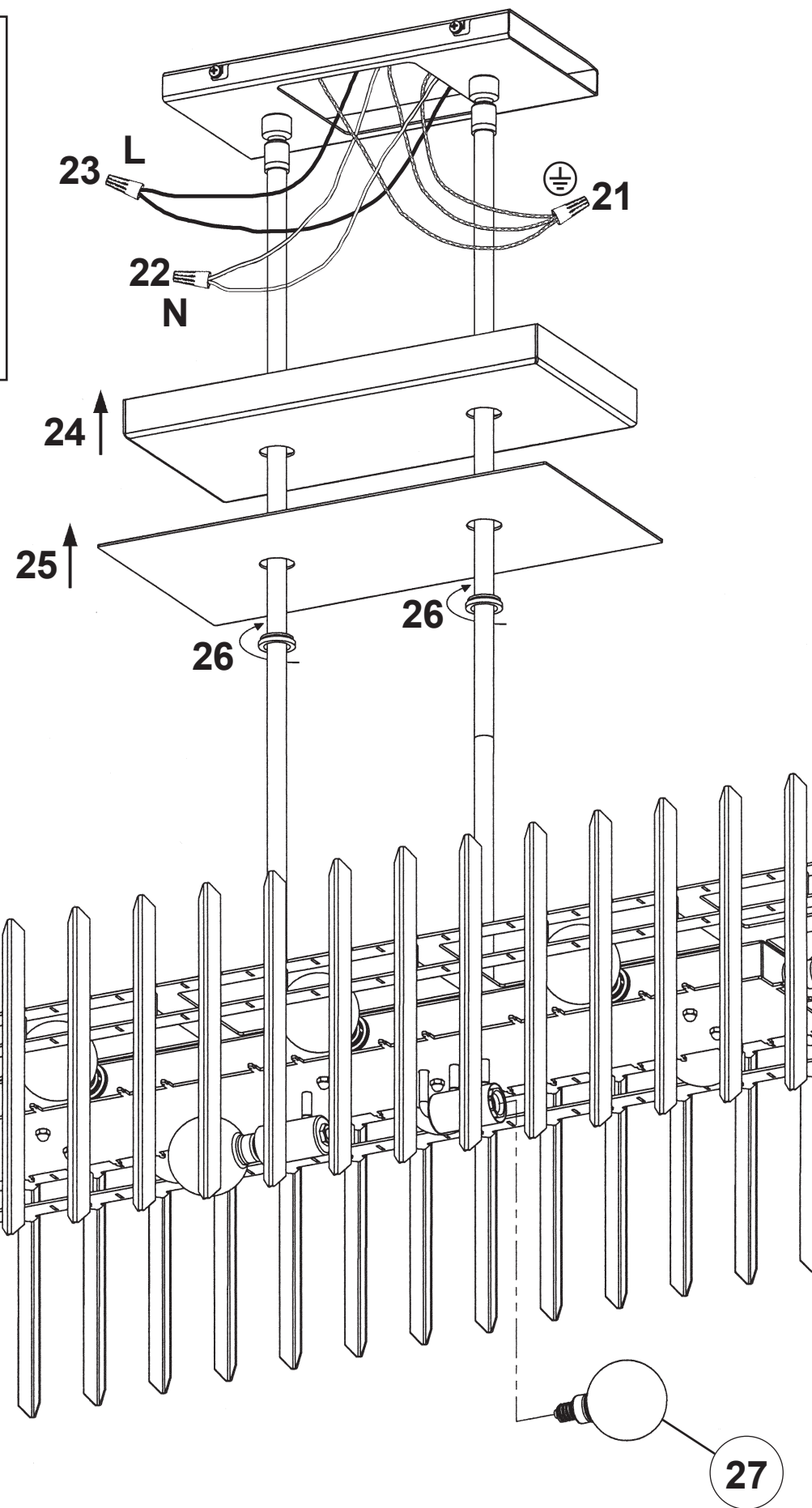
**28**

904105/100

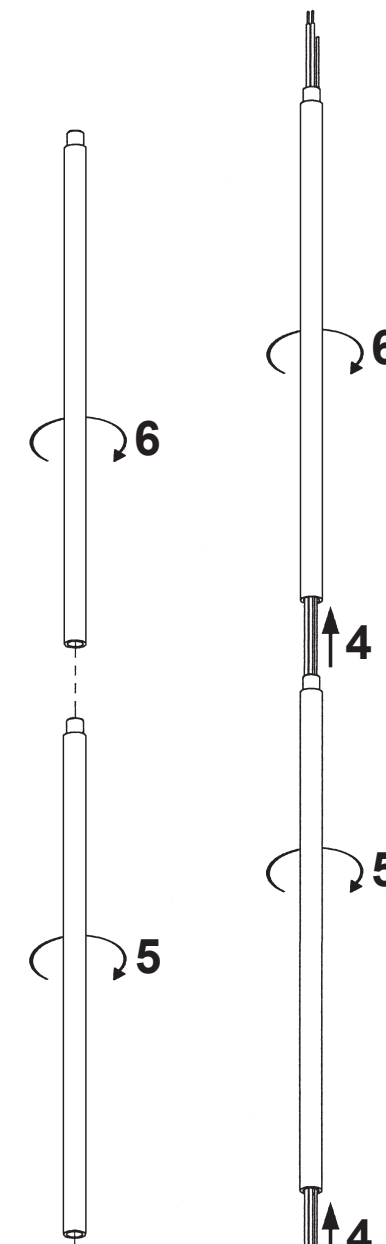
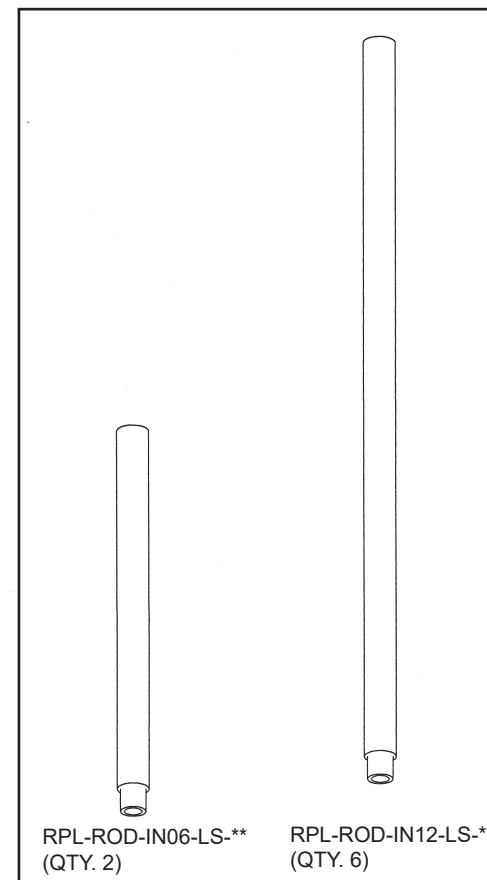


You will need 10 - G16-1/2  
40 Watts Max

Install bulbs and be sure  
to test fixture **BEFORE**  
trimming.



### ROD KIT



**NOTE:**  
Using rods supplied, set  
fixture to desired height.

