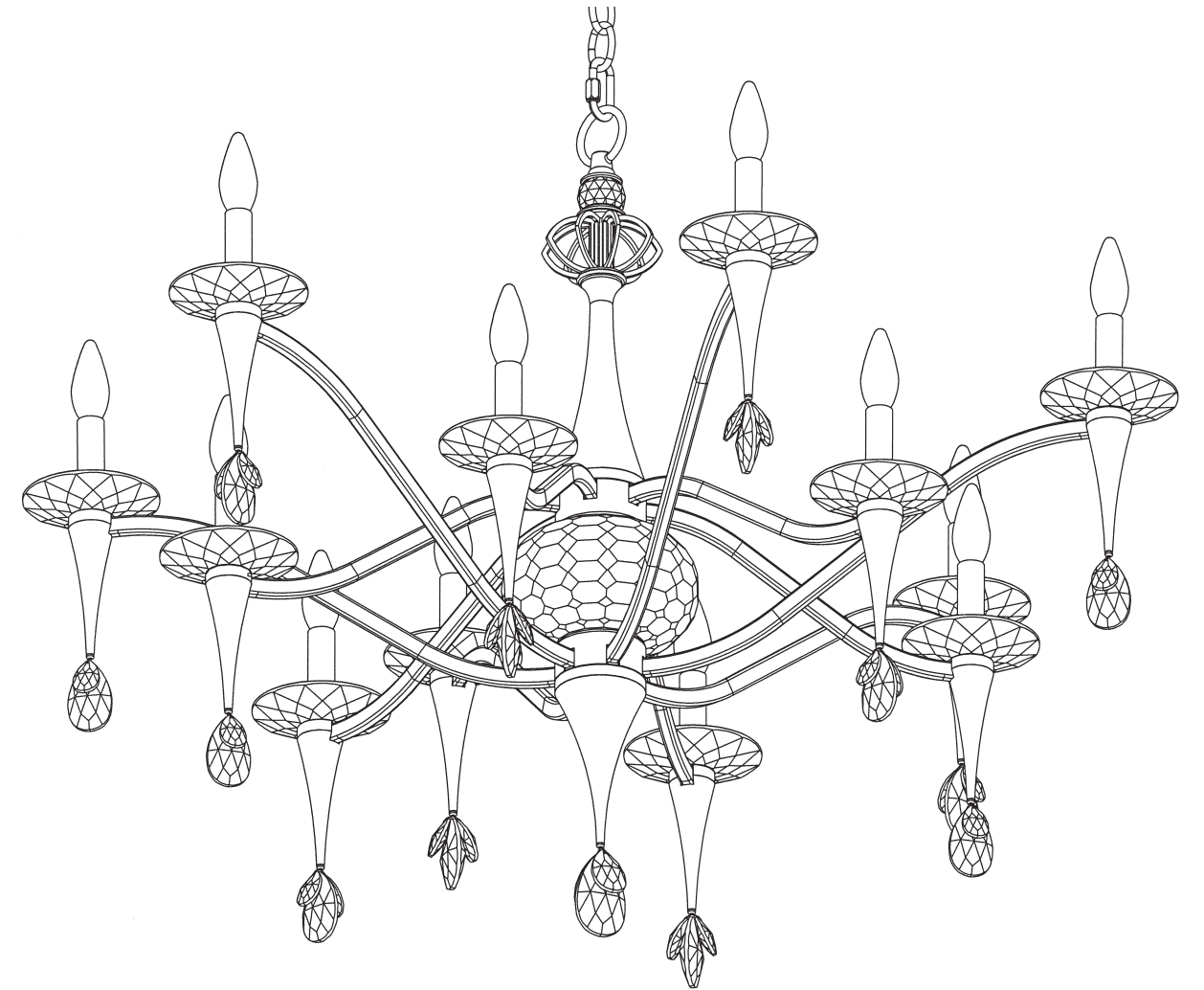


SCHONBEK  
*Signature*<sup>TM</sup>

**WAVERLY**  
**S47512- \_\_ \_\_ R**

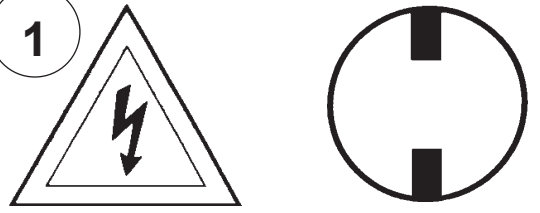


**T**HIS DESIGN IS THE PROPRIETARY  
TRADE DRESS/TRADEMARK OF  
W SCHONBEK LLC.

SCHONBEK  
*Signature*<sup>TM</sup>

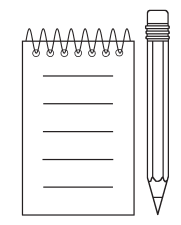
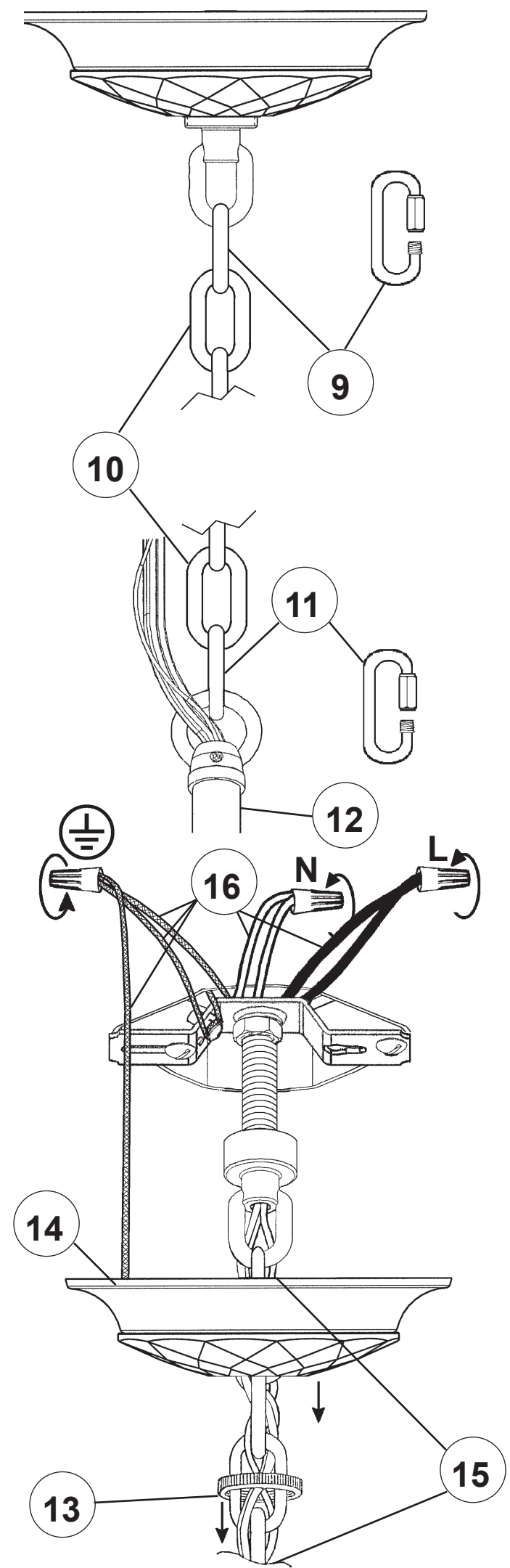
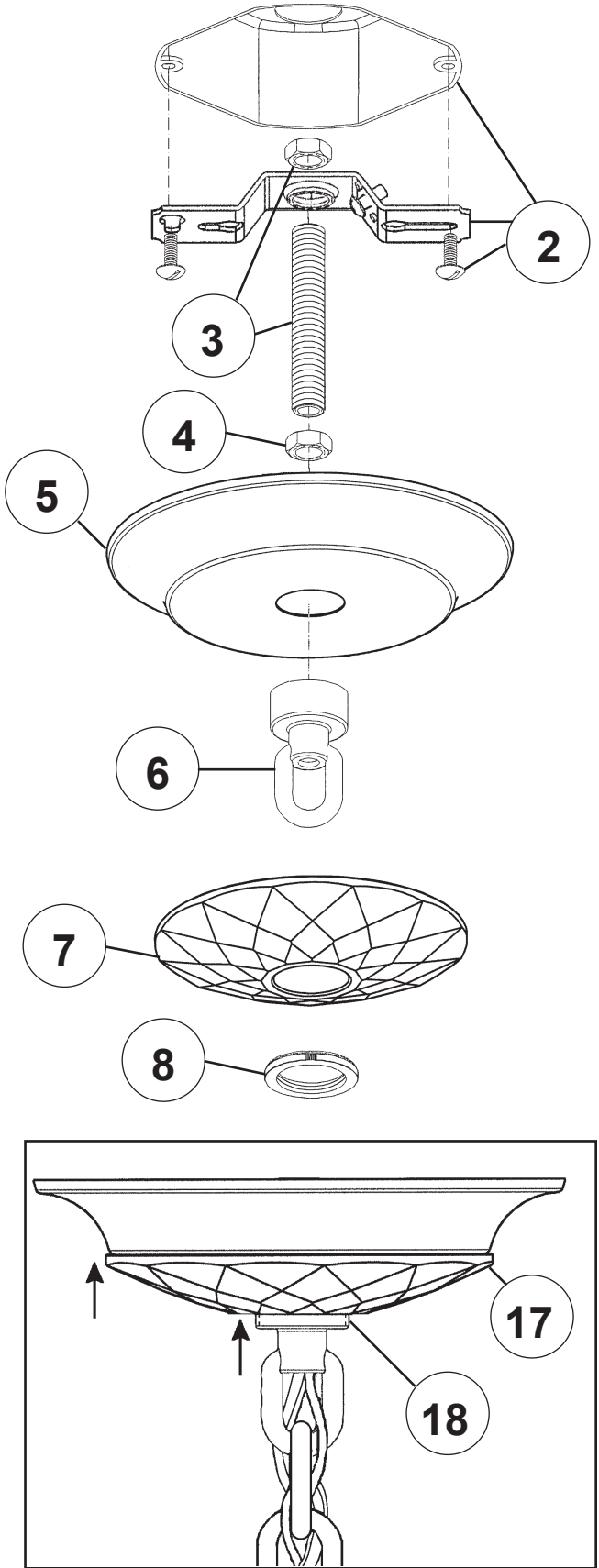
MAX <u>60</u> W	110-120 V							

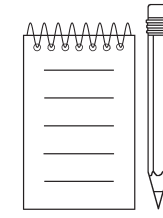
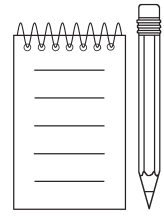
**WARNING:**

1 

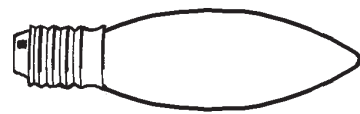
**Electrical Danger Turn Power Off**

All electrical components must be installed by a licensed electrician in accordance with the National Electric Code and the appropriate local electrical codes.

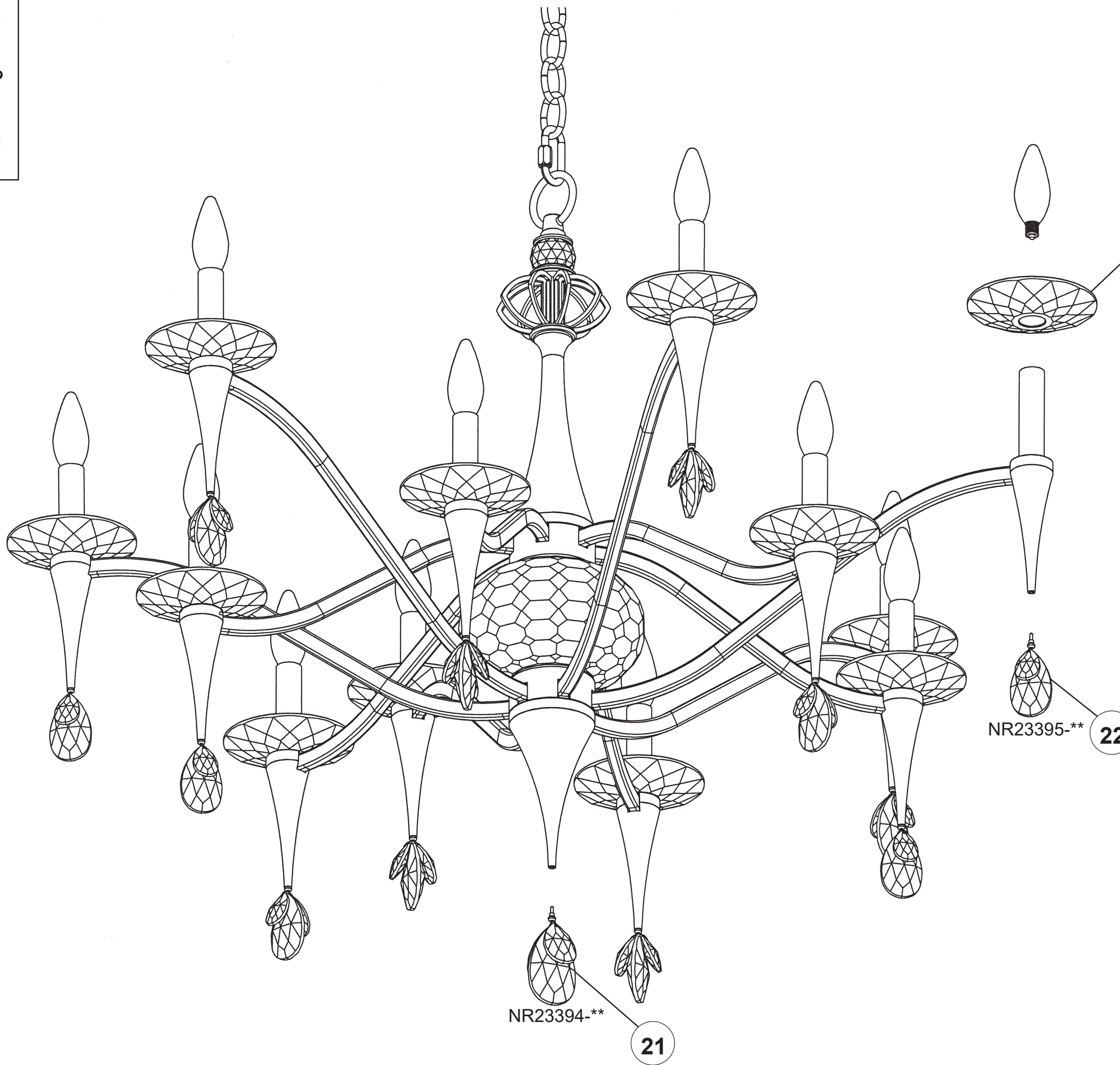




20



You will need 12 - B10  
25 Watts Recommended  
60 Watts Max



19

90417/115

22

NR23395-\*\*

21

NR23394-\*\*