

ASSEMBLY & INSTALLATION INSTRUCTIONS

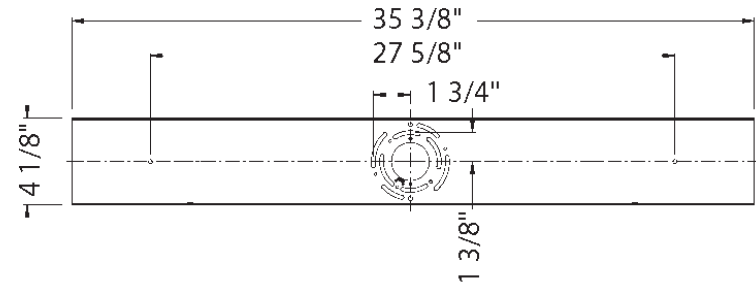


FIXTURE

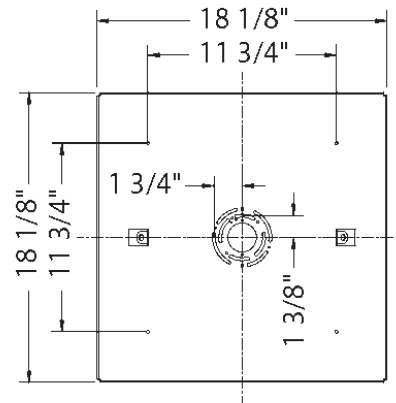
S2403L / S2405L / S2414L / S2423L / S2413S / S2425S / S2441S

CEILING PLATE DIMENSIONS

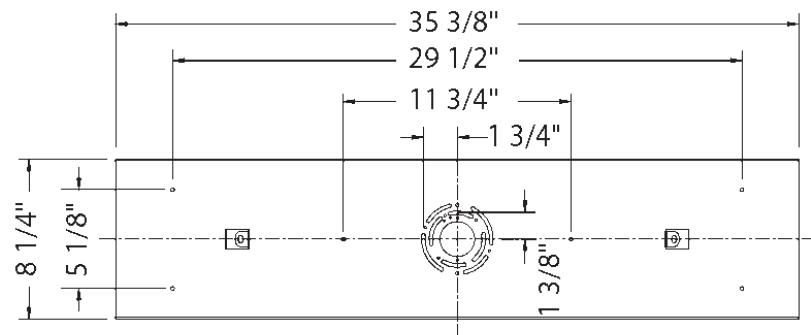
**S2403L
S2405L**



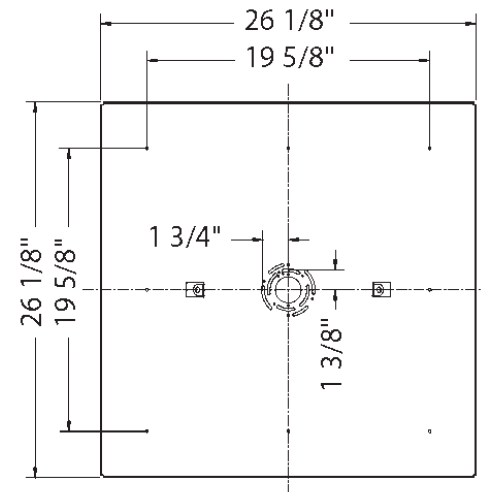
S2413S



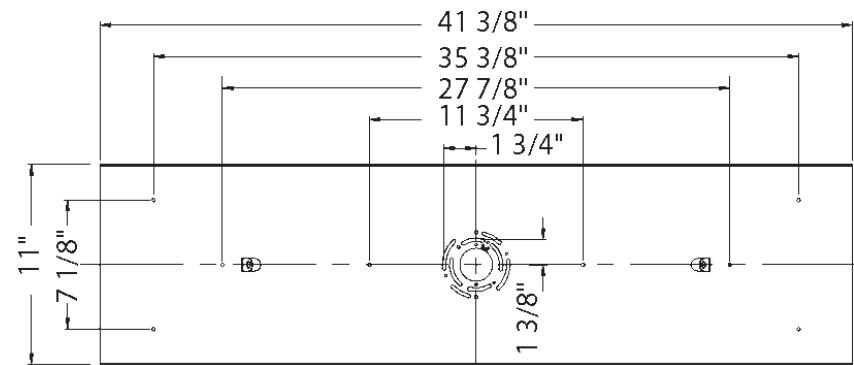
S2414L



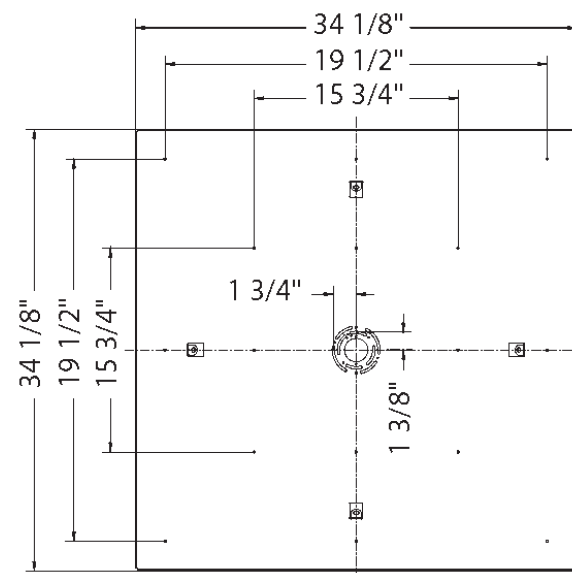
S2425S



S2423L



S2441S



Schonbek, 61 Industrial Blvd, Plattsburgh, New York, 12901
Phone: 1-800-836-1892 | Fax: 518-563-4228
www.schonbek.com

ASSEMBLY & INSTALLATION INSTRUCTIONS



FIXTURE

S2403L / S2405L / S2414L / S2423L / S2413S / S2425S / S2441S

WARNING

- IMPORTANT: NEVER attempt any work without shutting off the electricity.
- Read all instructions before installing.
 - System is intended for installation in accordance with the National Electrical Code (NEC), other applicable installation code(s) and local regulations by a licensed electrician familiar with the operation of the product and the hazards involved.
 - Go to the main fuse box, or circuit breaker panel. Place the main power switch in the "OFF" position and unscrew the fuse (s) or switch "OFF" the circuit breaker switch (es) that control the power to the fixture (s) or room that you are working on.
 - Place the wall switch in the "OFF" position.
 - FAILURE TO INSTALL THIS FIXTURE IN ACCORDANCE WITH THESE INSTRUCTIONS MAY RESULT IN SERIOUS PERSONAL INJURY OR DEATH AND/OR PROPERTY DAMAGE.

CAUTION

- All parts must be used as indicated in these instructions. Do not substitute any parts, leave parts out, or use any parts that are worn out or broken. Failure to follow this instruction could invalidate the ETL/CETL Listing of this fixture.
- When handling the fixture, do not apply pressure to the LEDs or bulbs. Hold the fixture by the base only.
- Do not exceed maximum wattage noted on the fixture. Use only the recommended LED or standard lamps with the fixture.

ADVERTENCIA

- IMPORTANTE: NUNCA trate de hacer ningún trabajo sin desconectar la electricidad.
- Lea todas las instrucciones antes de instalar.
 - El sistema tiene por objeto la instalación de acuerdo con el Código Eléctrico Nacional, y otros códigos de instalación y reglamentos locales aplicables, por parte de un electricista autorizado que esté familiarizado con el funcionamiento del producto y los peligros involucrados.
 - Vaya a la caja de fusibles o al panel de disyuntores principal. Ponga el interruptor principal de alimentación en la posición de "APAGADO", y desenrosque los fusibles o "DESCONECTE" los disyuntores que controlen la alimentación a los dispositivos o la habitación en los que usted esté trabajando.
 - Ponga el interruptor de pared en la posición de "APAGADO".
 - EL HECHO DE NO INSTALAR ESTE DISPOSITIVO DE ACUERDO CON ESTAS INSTRUCCIONES PODRÍA RESULTAR EN UNA LESIÓN PERSONAL GRAVE O LA MUERTE, Y/O DAÑOS A LA PROPIEDAD.

PRECAUCIÓN

- Todas las piezas deben usarse como se indica en estas instrucciones. No sustituya ninguna pieza, no deje piezas fuera, ni utilice ninguna pieza que esté desgastada ni rota. El hecho de no seguir estas instrucciones podría invalidar la certificación ETL/CETL de este dispositivo.
- Al manipular el dispositivo, no aplique presión a los LED ni las bombillas. Sujete el dispositivo solo por la base.
- No exceda la potencia máxima indicada en el dispositivo. Use solo los LED o las bombillas estándar recomendados con el dispositivo.

ADVERTENCIA

- IMPORTANT: NUNCA trate de hacer ningún trabajo sin desconectar la electricidad. IMPORTANT : Ne JAMAIS entreprendre des travaux sans couper l'électricité.
- Lire toutes les instructions avant l'installation.
 - Ce système est conçu pour être installé conformément au Code national de l'électricité ou d'autres codes d'installation et réglementations locales en vigueur par un électricien agréé connaissant le fonctionnement de ce produit et les dangers qu'il comporte.
 - Aller à la boîte à fusibles ou panneau principal de disjoncteurs. Placer l'interrupteur d'alimentation principal sur « ARRÊT » et dévisser le ou les fusibles ou mettre sur « ARRÊT » le ou les disjoncteurs qui contrôlent l'alimentation du ou des appareils électriques ou de la pièce dans laquelle vous travaillez.
 - Mettre l'interrupteur mural sur « ARRÊT ».
 - NÉGLIGER D'INSTALLER CET APPAREIL CONFORMÉMENT À CES INSTRUCTIONS RISQUE D'ENTRAÎNER DE GRAVES BLESSURES PERSONNELLES OU LA MORT AINSI QUE DES DOMMAGES MATÉRIELS.
 - MISE EN GARDE
 - Toutes les pièces doivent être utilisées comme indiqué dans ces instructions. Ne remplacer aucune pièce, ne laisser aucune pièce de côté ou n'utiliser aucune pièce usée ou cassée. Le non-respect de cette directive peut invalider l'homologation ETL/CETL de cet appareil.
 - Lors de la manipulation de cet appareil, n'appliquer aucune pression sur les DEL ou les ampoules. Maintenir l'appareil par la base uniquement.
 - Ne pas dépasser le nombre de watts maximum indiqué sur l'appareil. N'utiliser que les DEL ou ampoules standard recommandées dans cet appareil.

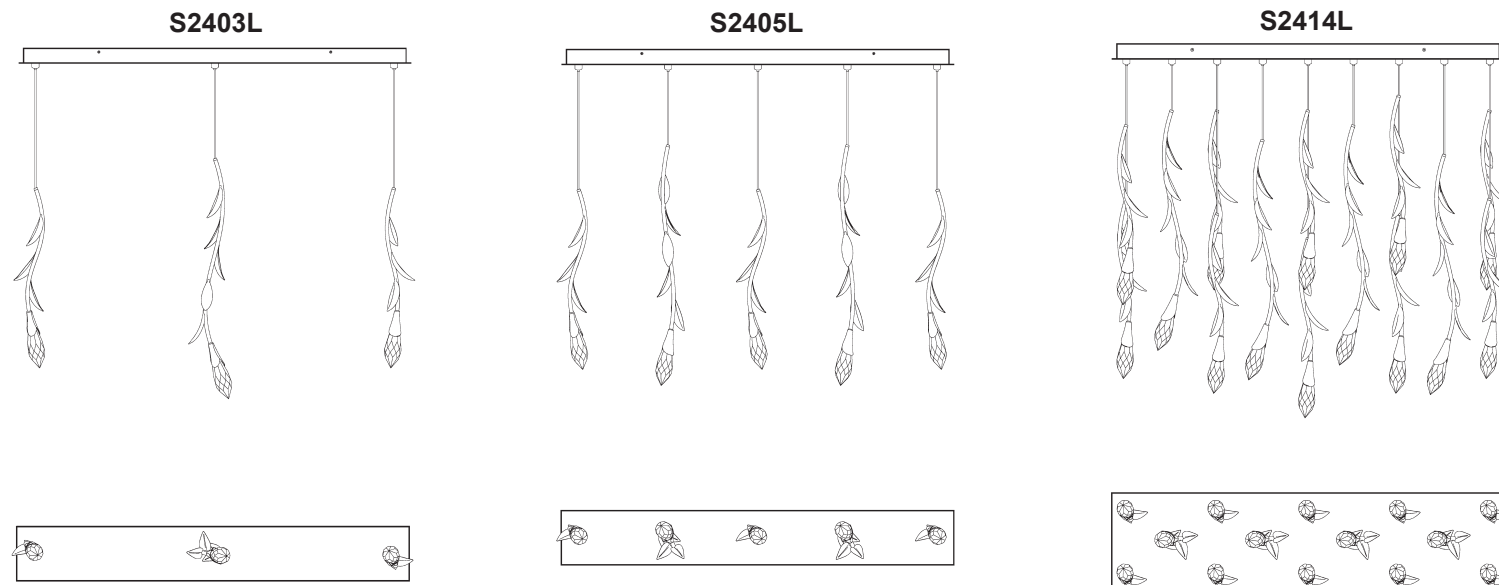
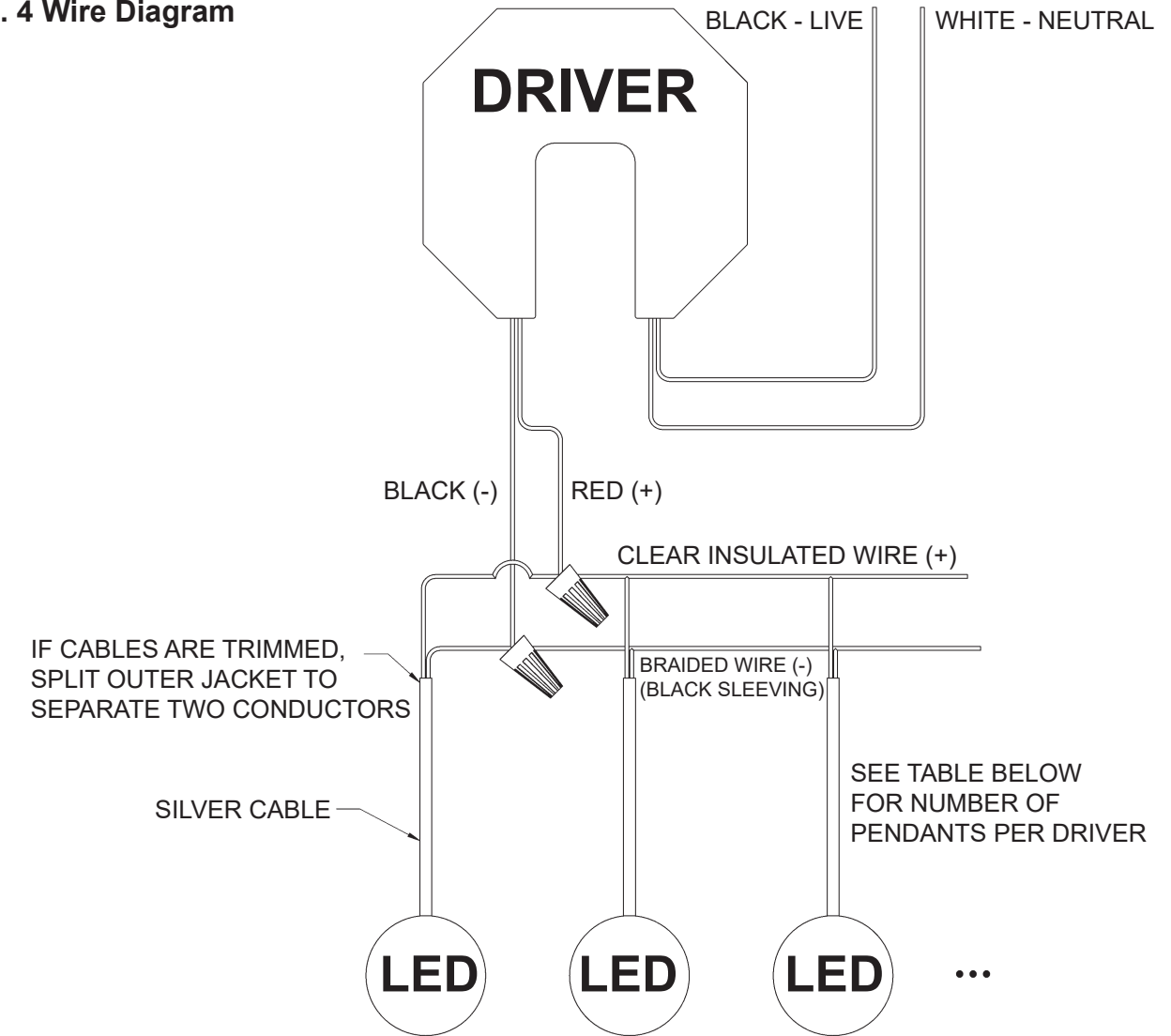
ASSEMBLY & INSTALLATION INSTRUCTIONS



FIXTURE

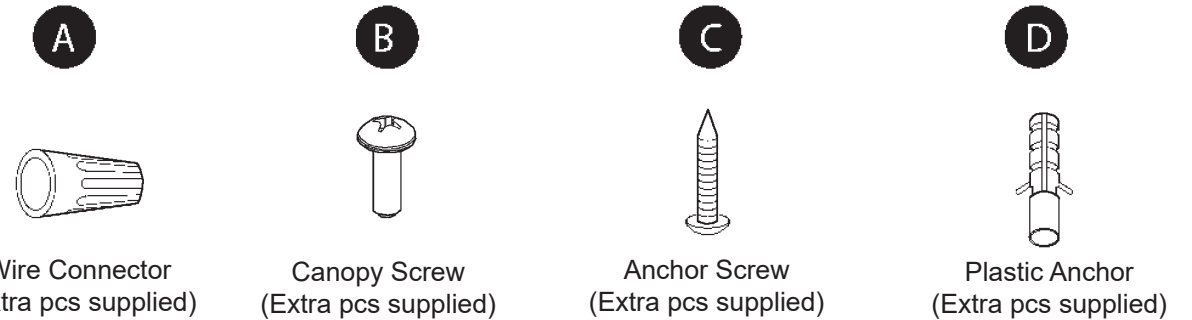
S2403L / S2405L / S2414L / S2423L / S2413S / S2425S / S2441S

Fig. 4 Wire Diagram



FIXTURE	DRIVERS	NUMBER OF PENDANTS PER DRIVER
S2403L	350mA (x1)	3
S2405L	500mA (x1)	5
S2414L	700mA (x1)	14
S2423L	700mA (x1)	14
	500mA (x1)	9
S2413S	700mA (x1)	13
S2425S	500mA (x2)	11
	350mA (x1)	3
S2441S	700mA (x3)	12
	500mA (x1)	5

HARDWARE



FIXTURE

S2403L / S2405L / S2414L / S2423L / S2413S / S2425S / S2441S

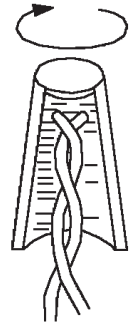
INSTALL DECORATIVE CRYSTAL

13. Install crystal by screwing onto each light body as shown in illustration on page 4.

(OPTIONAL) DIMMER WIRING

- To utilize ELV or TRIAC dimming: connect house wires as normal, using black (live), white (neutral) and house green wire or bare copper wire (ground). If purple and pink dimmer wires are present on driver, do not use these for ELV or TRIAC dimming.

FIG. 3 Wiring

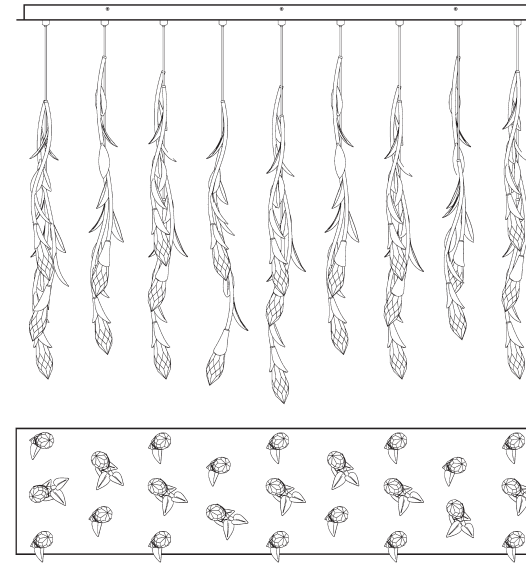


Fixture Wires Black or Smooth	House Wires Black (Live)
Fixture Wires White or Ribbed	House Wires White (Neutral)
Fixture Wires Bare Wire (Ground)	House Wires Green or Bare Copper (Ground)

FIXTURE

S2403L / S2405L / S2414L / S2423L / S2413S / S2425S / S2441S

S2423L



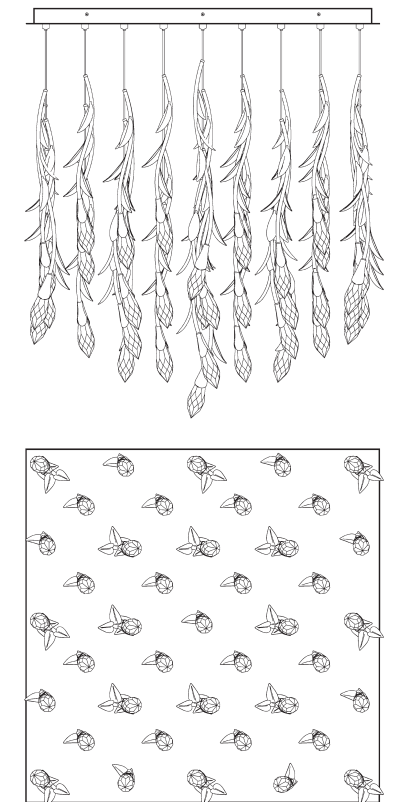
S2413S



S2425S



S2441S



ASSEMBLY & INSTALLATION INSTRUCTIONS

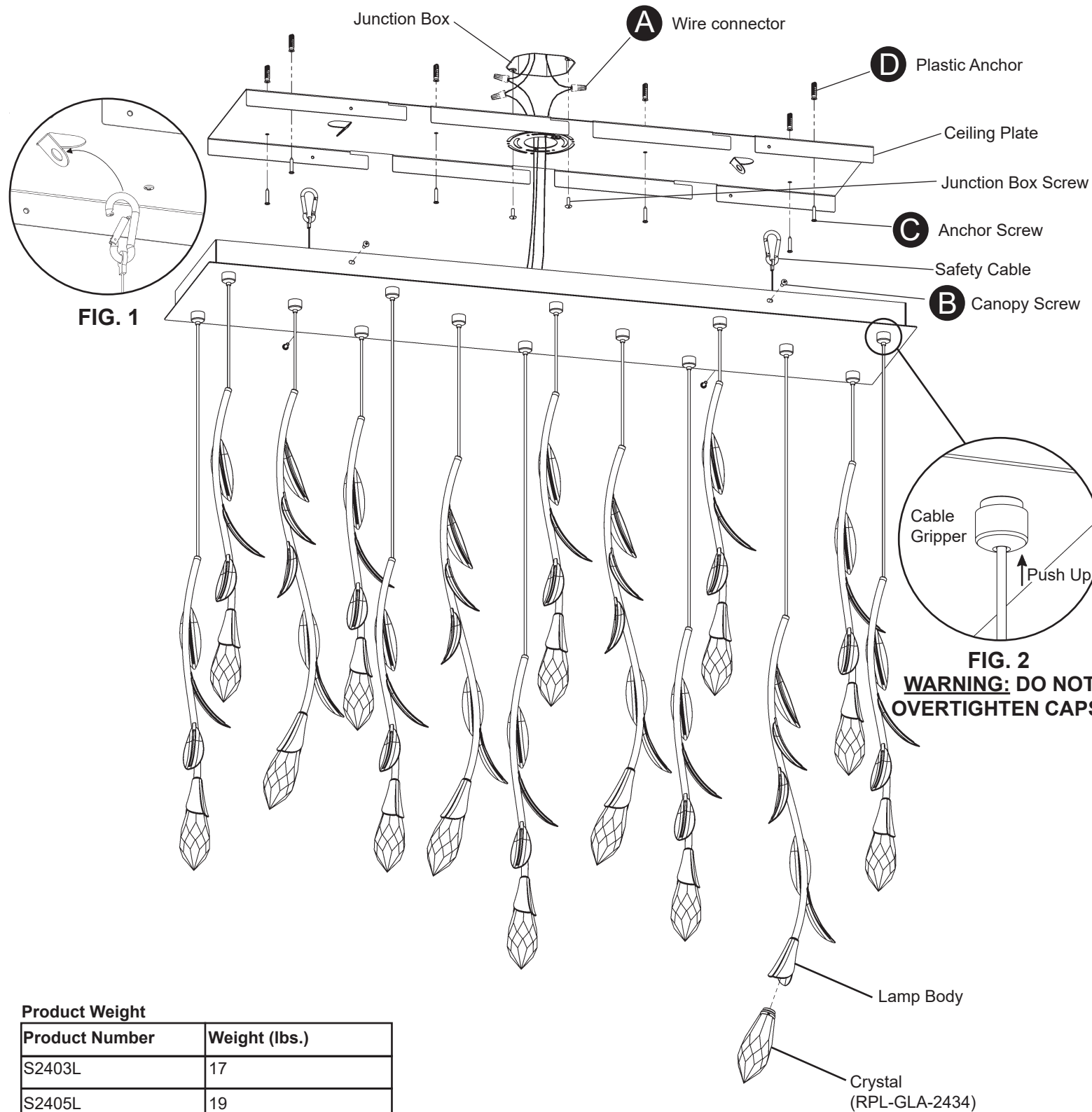
FIXTURE

S2403L / S2405L / S2414L / S2423L / S2413S / S2425S / S2441S

SCHONBEK
Signature

IMPORTANT NOTE:

Fixtures exceeding 50lbs., must be mounted or supported independently of the junction box.



Product Weight	
Product Number	Weight (lbs.)
S2403L	17
S2405L	19
S2414L	32
S2423L	55
S2413S	32
S2425S	61
S2441S	110

ASSEMBLY & INSTALLATION INSTRUCTIONS

FIXTURE

S2403L / S2405L / S2414L / S2423L / S2413S / S2425S / S2441S

SCHONBEK
Signature

PREPARATION

1. Shut off the power at the circuit breaker and remove existing fixture, including the crossbar.
2. Carefully unpack your new fixture and lay out all the parts on a clear area. Be careful not to lose any small parts necessary for installation.
3. Use gloves when handling trim, crystals and glass components during installation.

MOUNTING CEILING PLATE

4. Remove the canopy screws (B) from the ceiling plate.
5. Using the ceiling plate as a template, drill holes in the ceiling aligned with the outer set of holes located in the ceiling plate. Insert the plastic anchors (D) into the ceiling.
6. Secure the ceiling plate to the junction box using the original junction box screws. Fasten the ceiling plate to the ceiling with the plastic anchors using the anchor screws (C) provided.
 - (i) It is recommended to use only original junction box screws or replacements provided by junction box manufacturer.
 - (ii) The side of the ceiling plate marked "GND" must face out towards the installer.

WIRING AND HANGING FIXTURE

7. To adjust the fixture wire length, loosen cap and push up on cap until wire is released to move the fixture up and down. (Fig. 2) **Do not remove caps entirely from threads!**
 - (i) Before securing the canopy in place, it is recommended to retract or extend the wire within the canopy to a desirable length.
 - (ii) Due to limited space with the canopy, shorten the cable as necessary to make the installation easier. Make sure to identify and label all the wiring properly before trimming/shortening cables.
8. Screw on cable gripper caps until cap touches canopy, then turn ½ turn more.
9. Raise the fixture and bring the canopy near the ceiling plate. Attach the fixture to the ceiling plate using all safety cable(s) as shown (Fig. 1). safety cable(s) are not meant to support full operational weight, sockets should be supported separately.
10. Connect the driver's input wires to junction box wires as shown in Fig. 3 and Fig. 4, using wire connectors (A) provided. Ensure wire connections are secure. Connect the fixture's ground wire to the ground wire in the junction box; this will be either a green wire or a bare copper wire. After fixture is wired to house wires, tuck wires carefully inside the junction box.
11. If using a dimmer with this fixture, wire dimmer connections at this stage per section titled **"(OPTIONAL) DIMMER WIRING."**
12. Mount the canopy against the ceiling plate. Secure fixture to the ceiling plate using the canopy screws (B).