

ADLEY S77508-__ __H



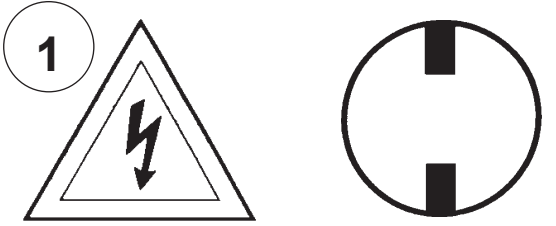
T HIS DESIGN IS THE PROPRIETARY TRADE DRESS/TRADEMARK OF W SCHONBEK LLC.

SCHONBEK
Signature[™]

SCHONBEK
Signature[™]

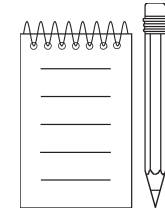
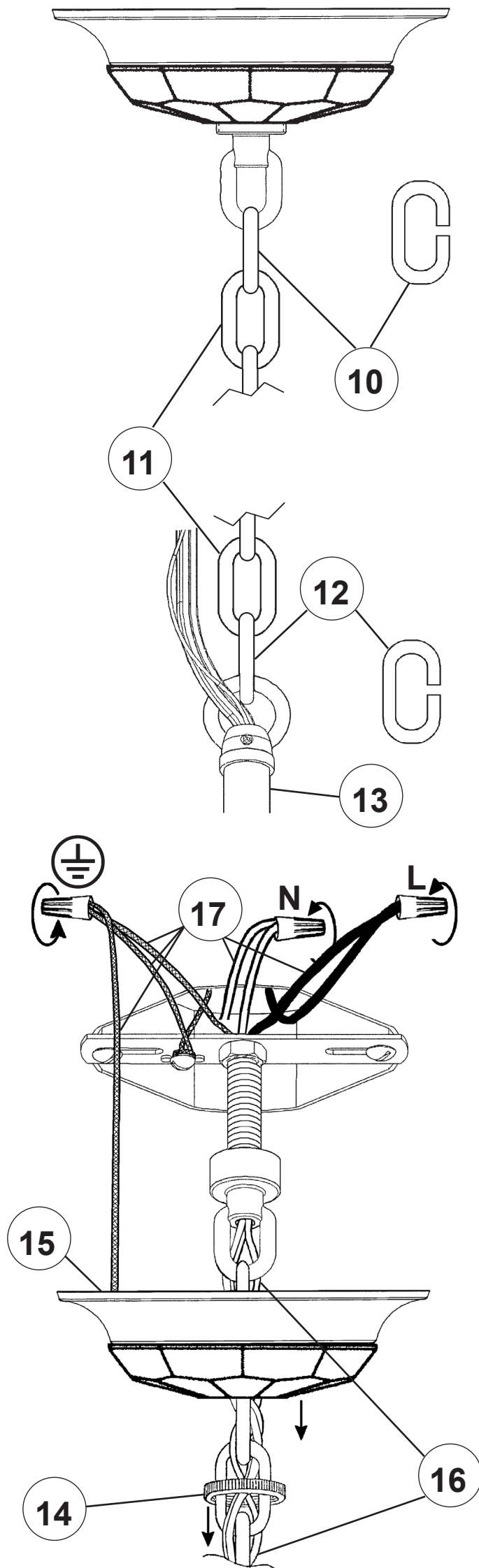
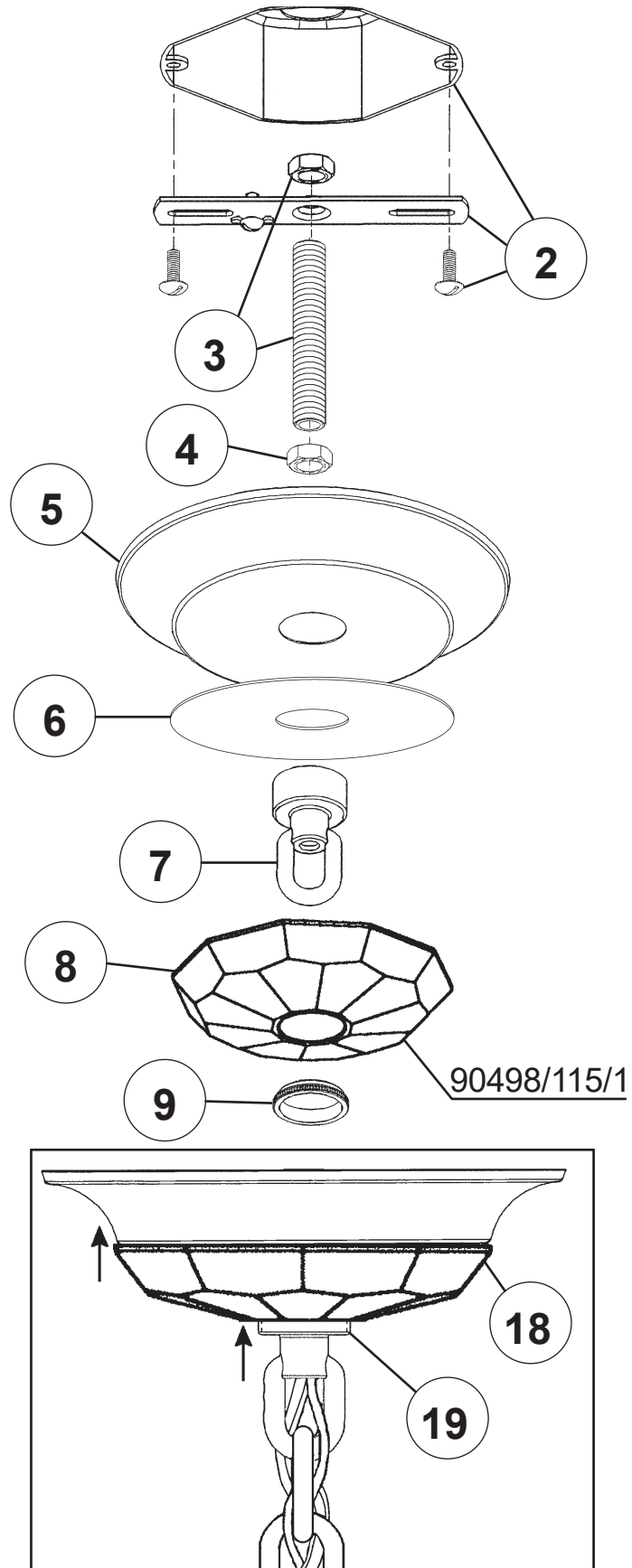
MAX <u>60</u> W		110-120 V						

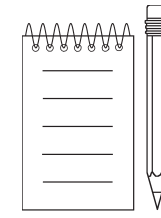
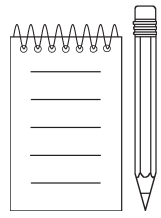
WARNING:

1 

Electrical Danger Turn Power Off

All electrical components must be installed by a licensed electrician in accordance with the National Electric Code and the appropriate local electrical codes.



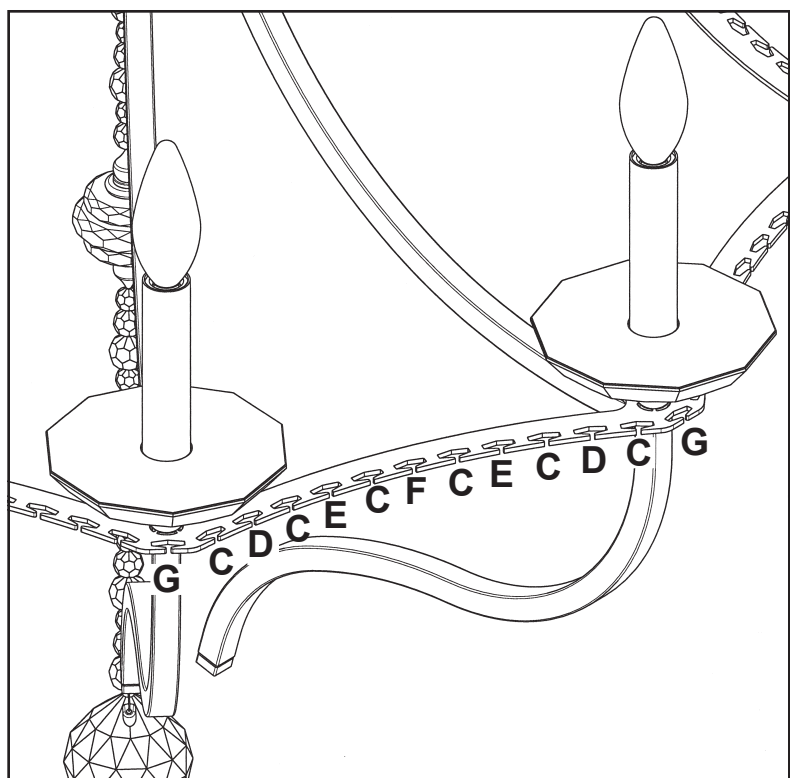


21



You will need 8 - B10
25 Watts Recommended
60 Watts Max

Install bulbs and be sure
to test fixture **BEFORE**
trimming.



26

25

B

B

G

24

A1

23

A

90447

NOTE:
ALTERNATE
HANGING
A AND A1

90498/115

20

N23672-**

90447

N23673-**

22



ADLEY S77508-__ __R



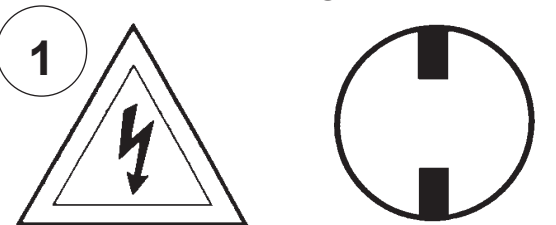
THIS DESIGN IS THE PROPRIETARY
TRADE DRESS/TRADEMARK OF
W SCHONBEK LLC.

SCHONBEK
*Signature*TM

SCHONBEK
*Signature*TM

MAX <u>60</u> W	110-120 V							

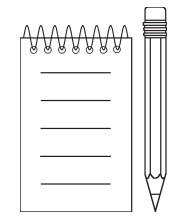
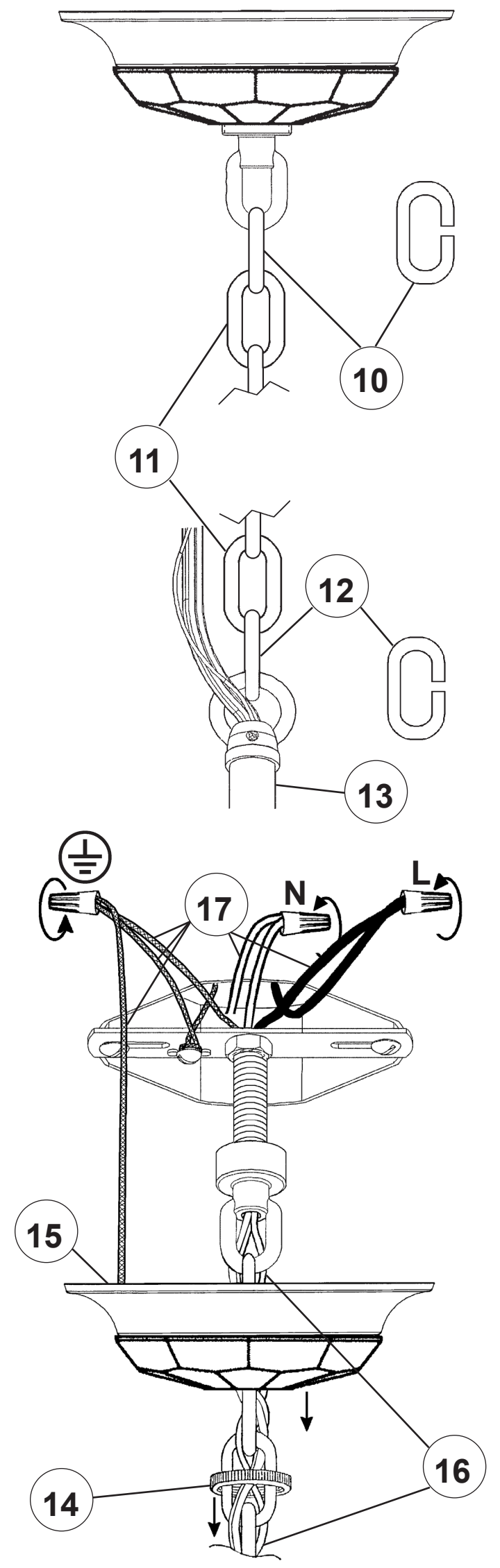
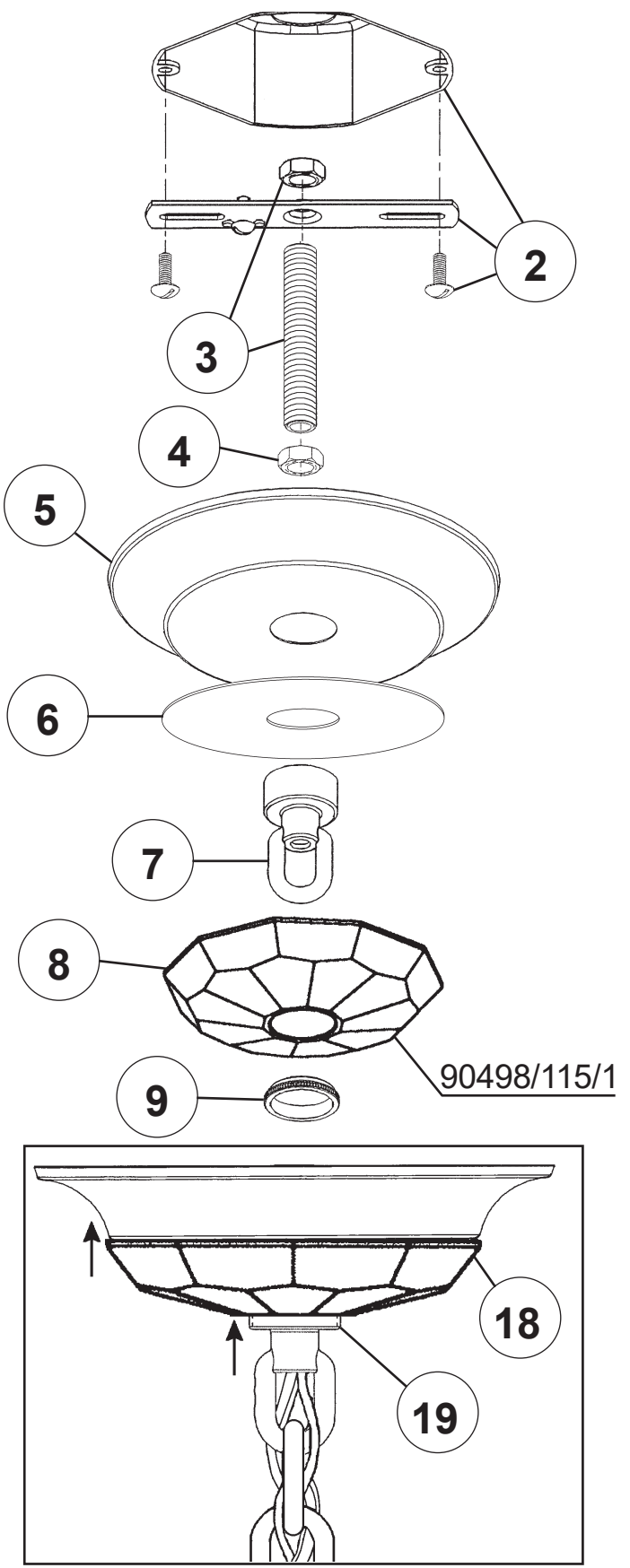
WARNING:

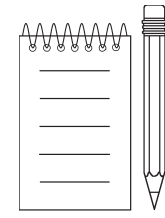
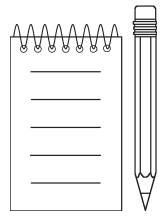


1

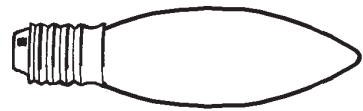
Electrical Danger Turn Power Off

All electrical components must be installed by a licensed electrician in accordance with the National Electric Code and the appropriate local electrical codes.



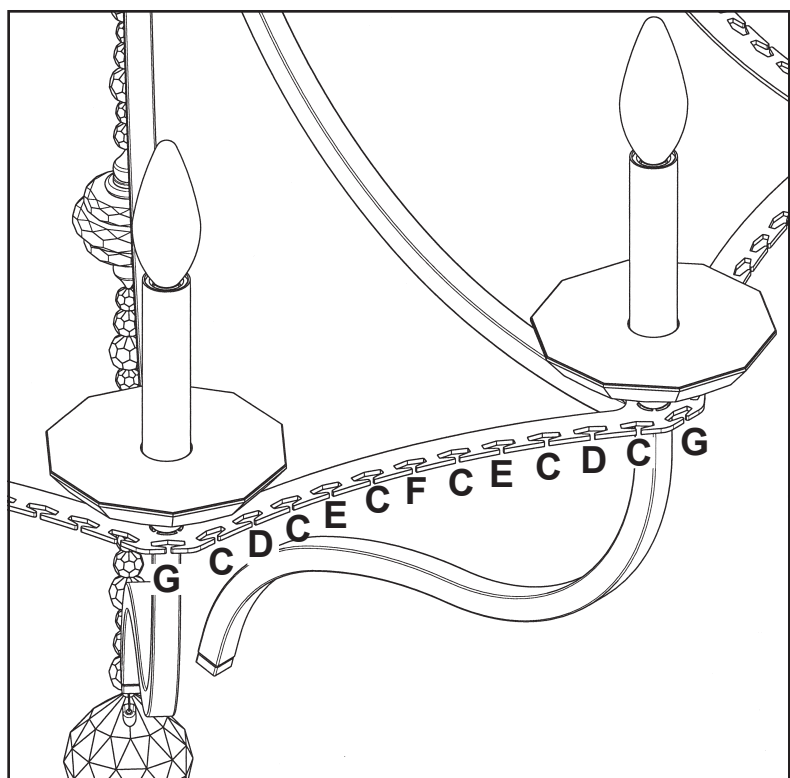


21



You will need 8 - B10
25 Watts Recommended
60 Watts Max

Install bulbs and be sure
to test fixture BEFORE
trimming.



26

25

B

B

G

24

A1

23

A

NOTE:
ALTERNATE
HANGING
A AND A1

90498/115

20

90447

NR23670-**

90447

NR23671-**

22

