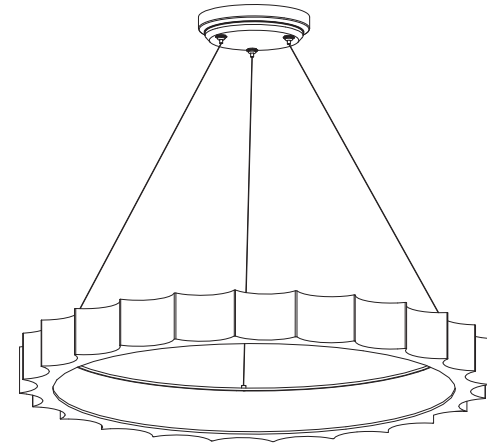


SCHONBEK  
*Signature*<sup>TM</sup>

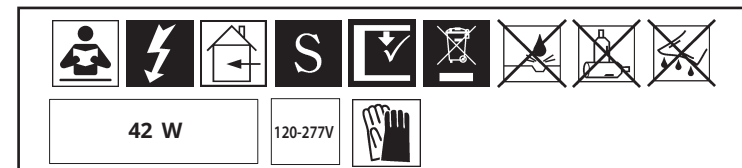
# TARTE

## S8430- \_\_\_R



**T**HIS DESIGN IS THE PROPRIETARY  
TRADE DRESS/TRADEMARK OF  
W SCHONBEK LLC.

SCHONBEK  
*Signature*<sup>TM</sup>



All electrical components must be installed by a licensed electrician in accordance with the National Electric Code and the appropriate local electrical codes.

