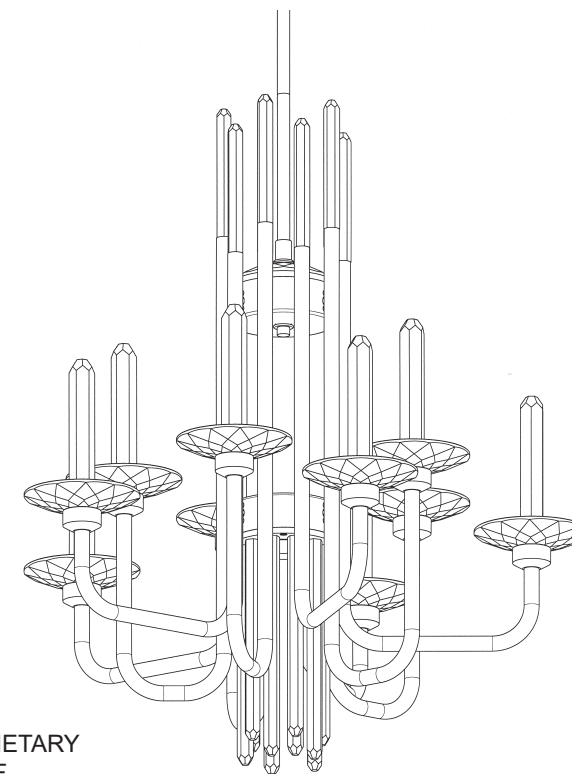


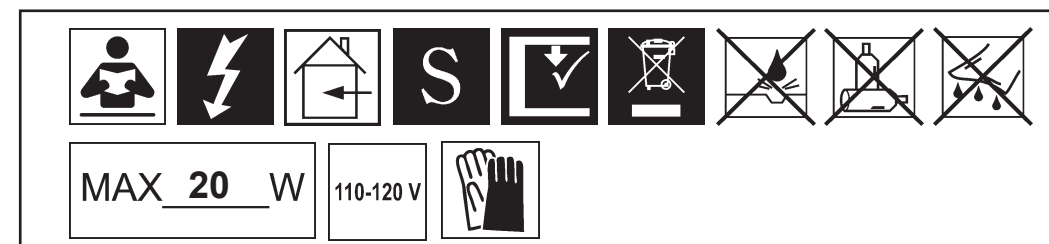
SCHONBEK
*Signature*TM

CALLIOPE
S5710-__ __O

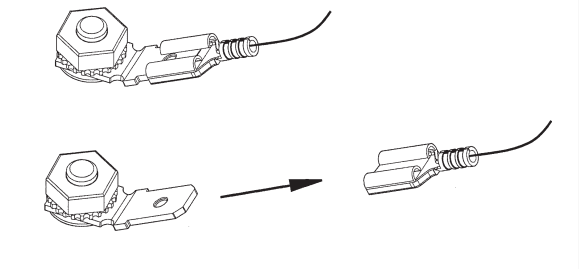


THIS DESIGN IS THE PROPRIETARY
TRADE DRESS/TRADEMARK OF
W SCHONBEK LLC.

SCHONBEK
*Signature*TM

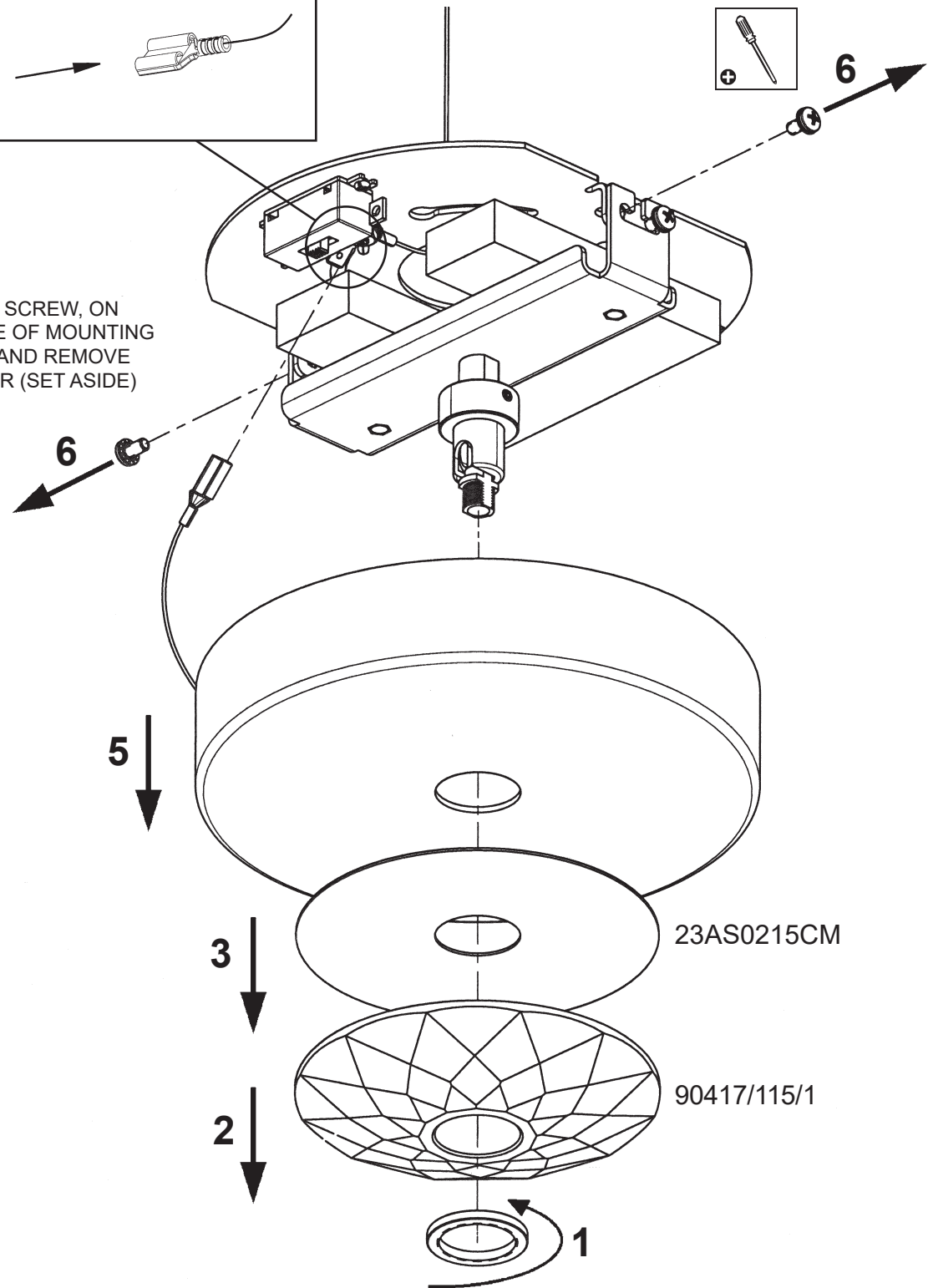


4



6

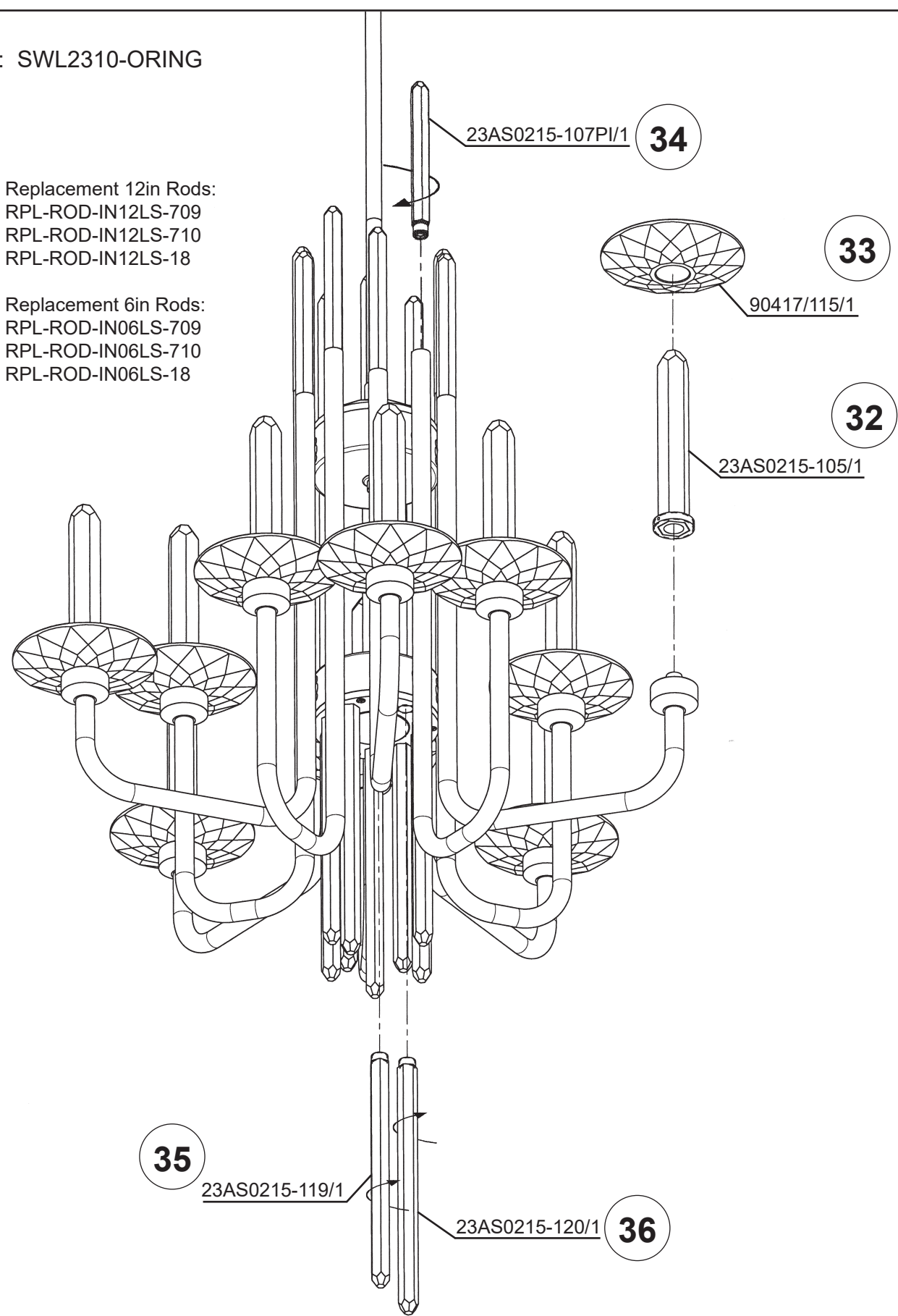
NOTE:
LOOSEN 1 SCREW, ON
EACH SIDE OF MOUNTING
WASHER, AND REMOVE
THE OTHER (SET ASIDE)



5 X  : SWL2310-ORING

Replacement 12in Rods:
RPL-ROD-IN12LS-709
RPL-ROD-IN12LS-710
RPL-ROD-IN12LS-18

Replacement 6in Rods:
RPL-ROD-IN06LS-709
RPL-ROD-IN06LS-710
RPL-ROD-IN06LS-18



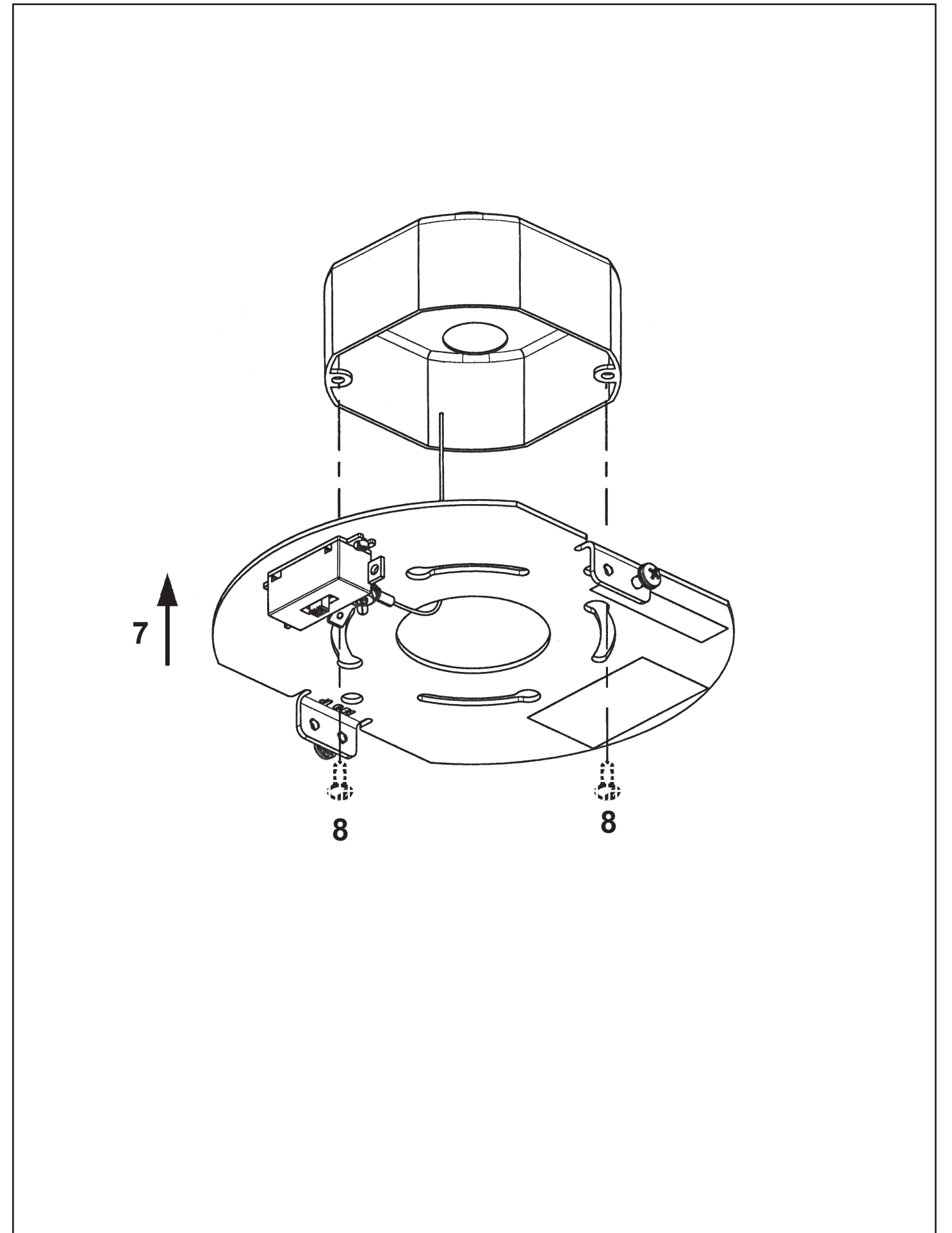
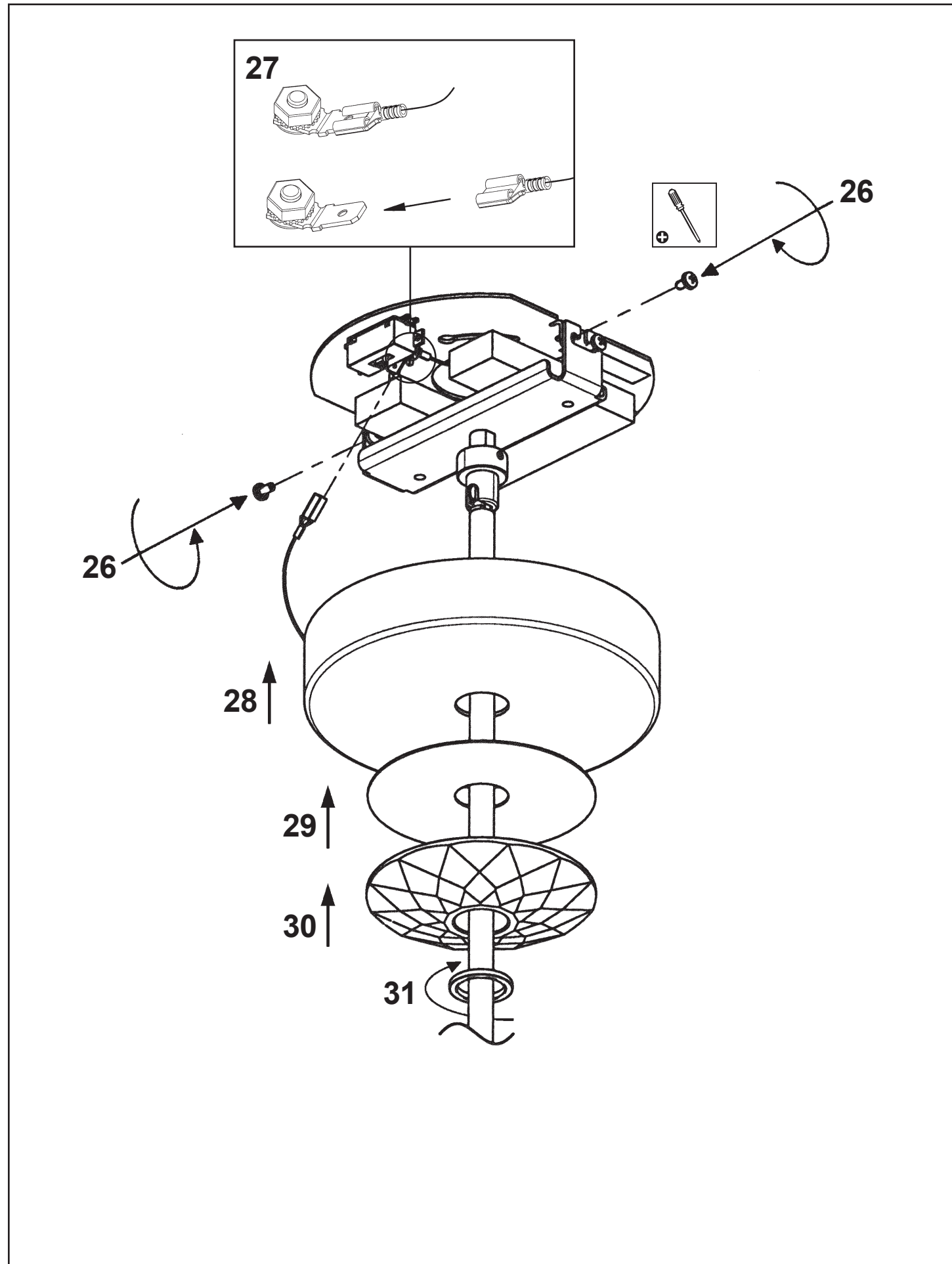
35

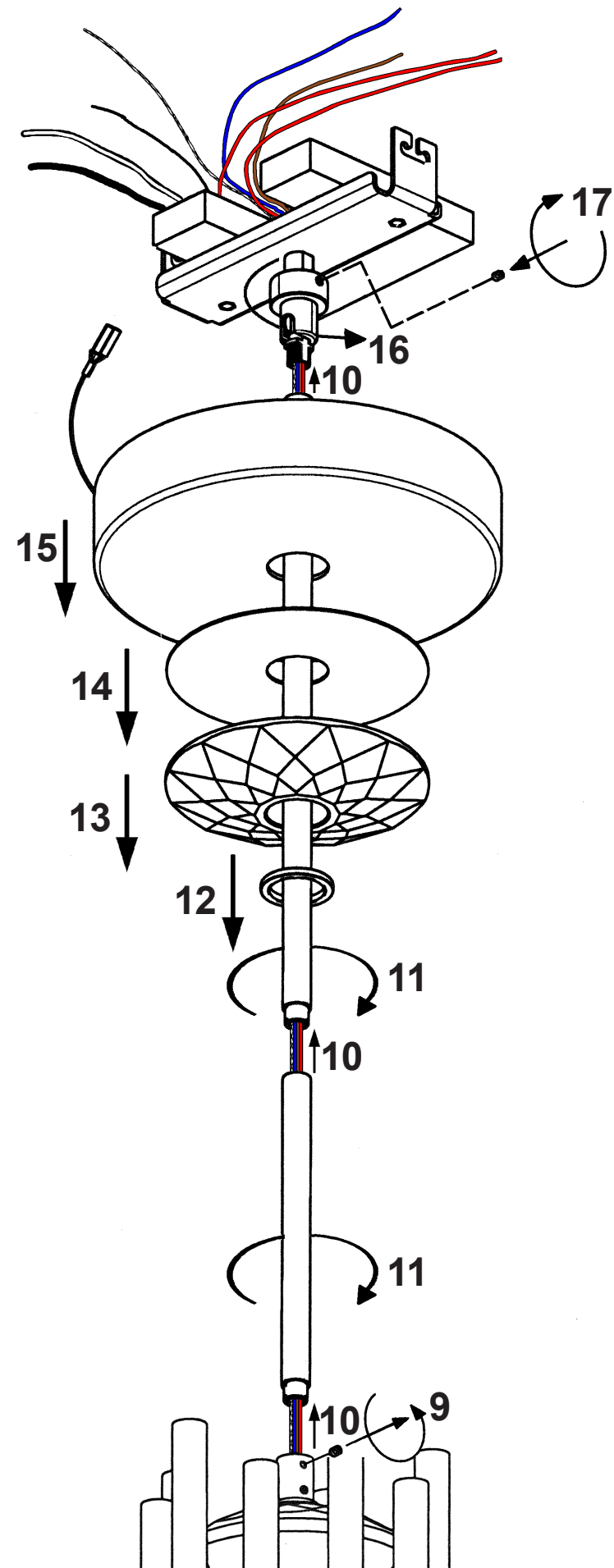
23AS0215-119/1

23AS0215-120/1

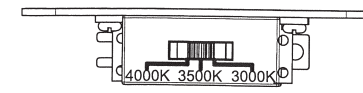
36

NOTE: ALTERNATE INSTALLING
23AS0215-121/1 AND 23AS0215-123/1





19 SELECT DESIRED LED
COLOR TEMPERATURE
**NOTE: FIXTURE POWER MUST
BE OFF BEFORE CHANGING
THE CCT SETTING.**



3000K = WARM
3500K = WARM/NATURAL
4000K = NATURAL

