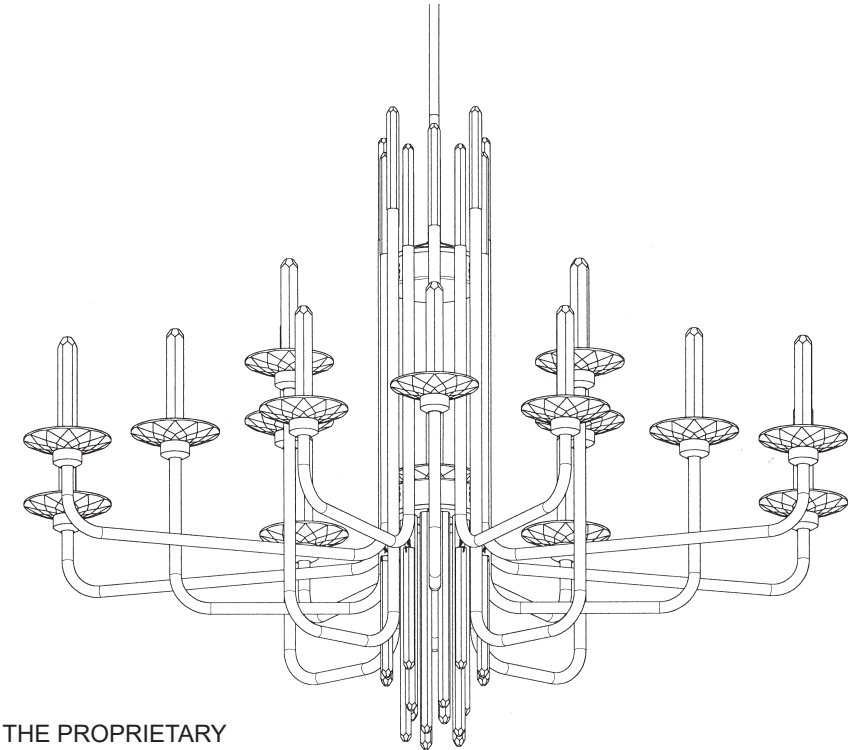


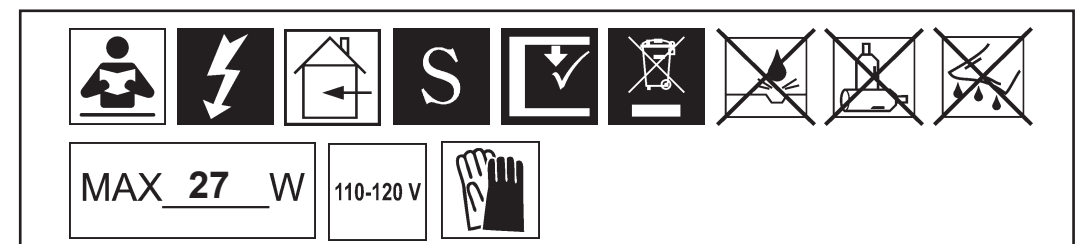
SCHONBEK  
*Signature*<sup>TM</sup>

**CALLIOPE**  
**S5716-\_\_ \_\_O**

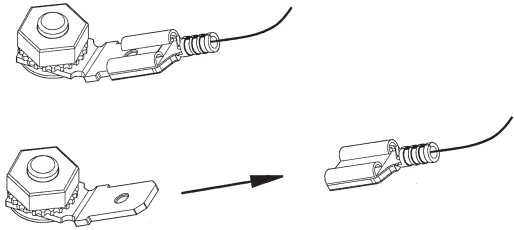


**T**HIS DESIGN IS THE PROPRIETARY  
TRADE DRESS/TRADEMARK OF  
W SCHONBEK LLC.

SCHONBEK  
*Signature*<sup>TM</sup>

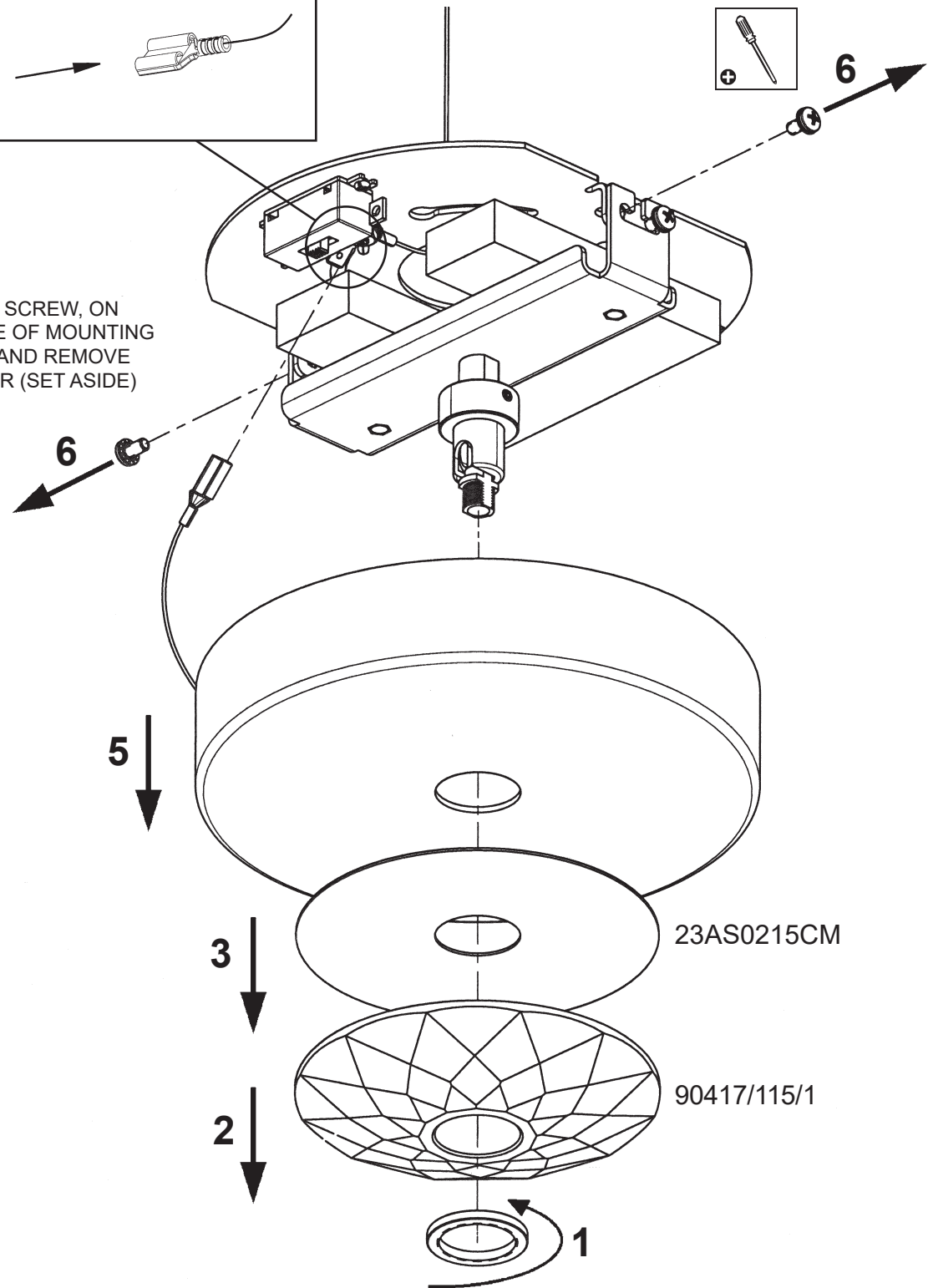


4



6

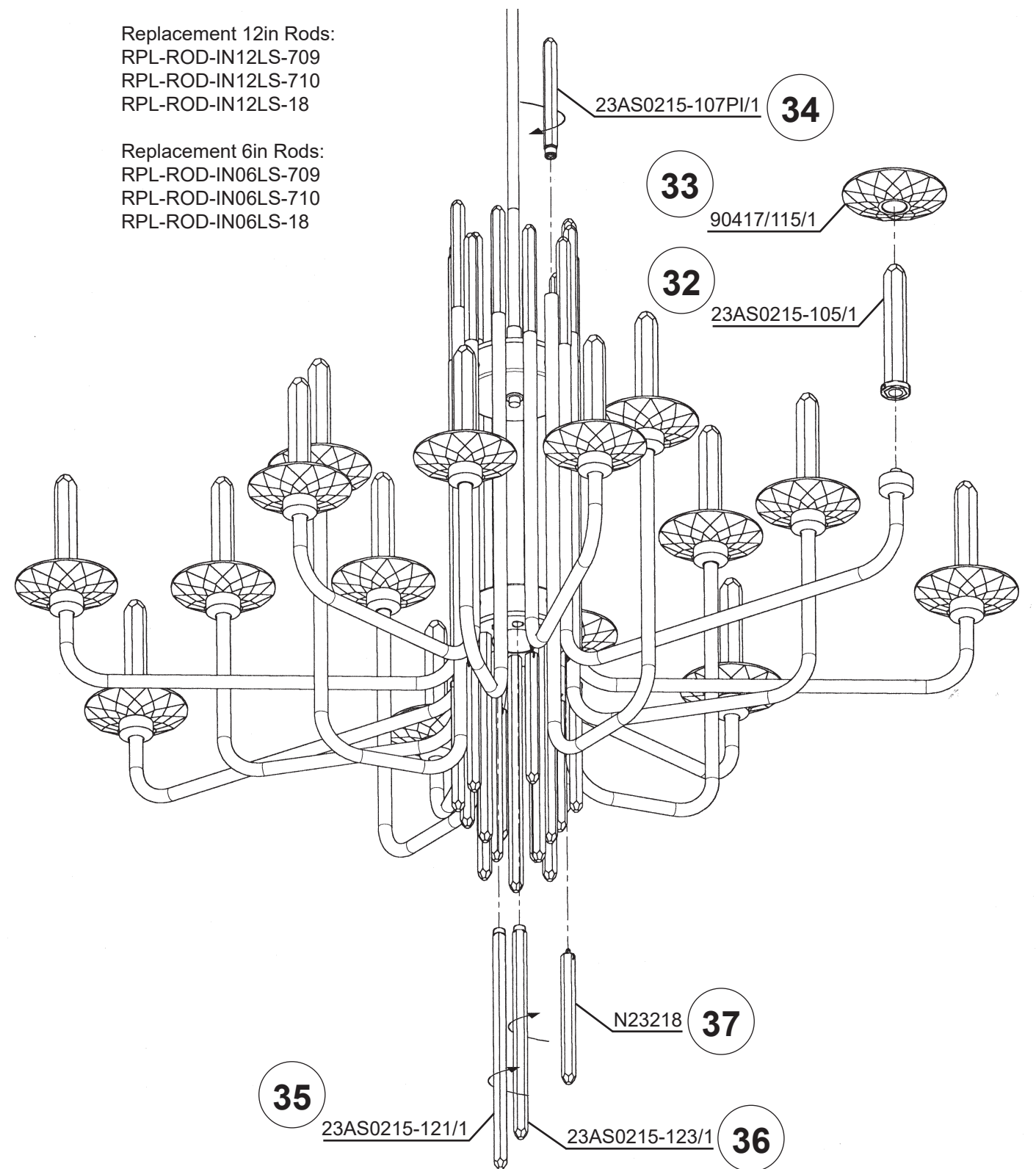
NOTE:  
LOOSEN 1 SCREW, ON  
EACH SIDE OF MOUNTING  
WASHER, AND REMOVE  
THE OTHER (SET ASIDE)



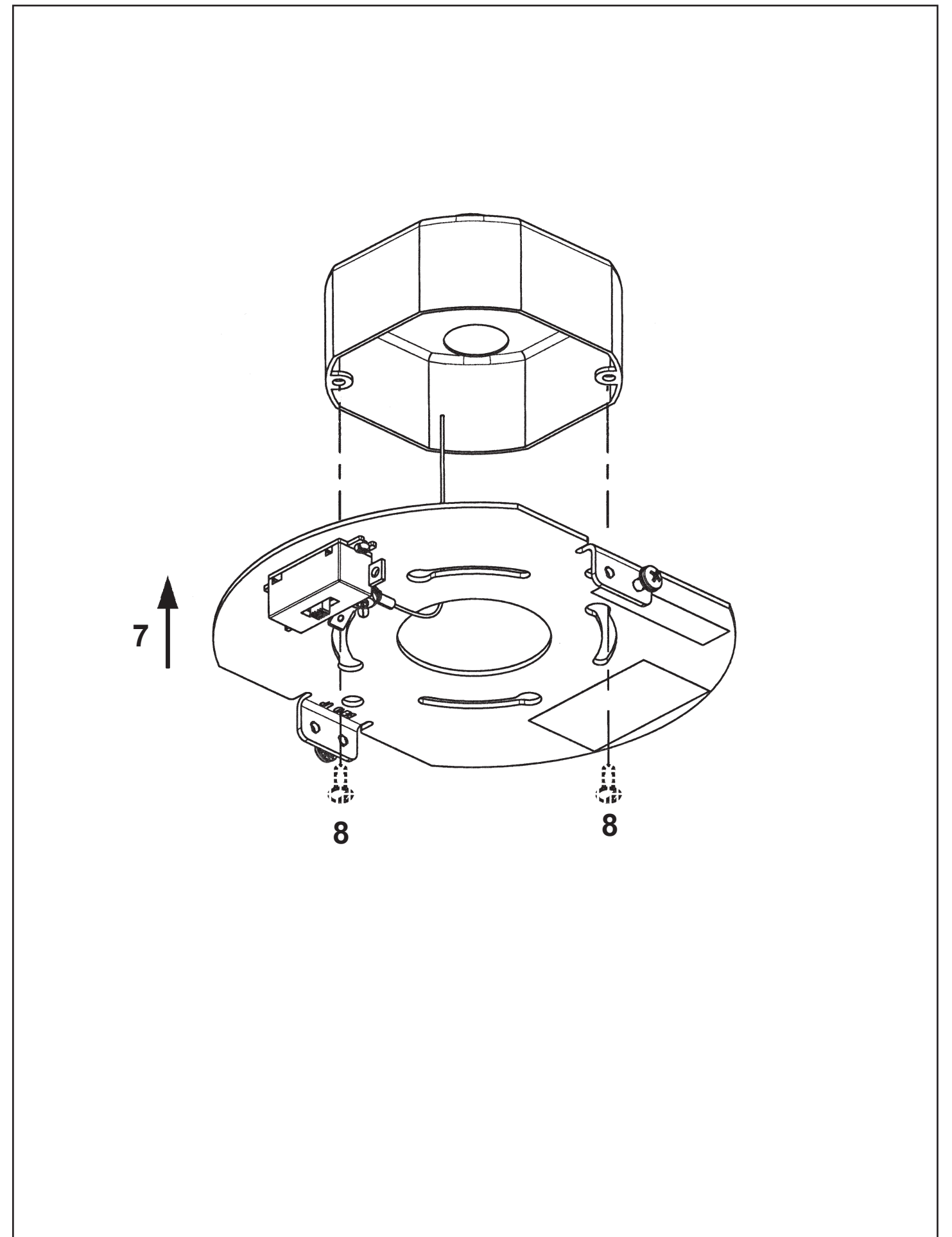
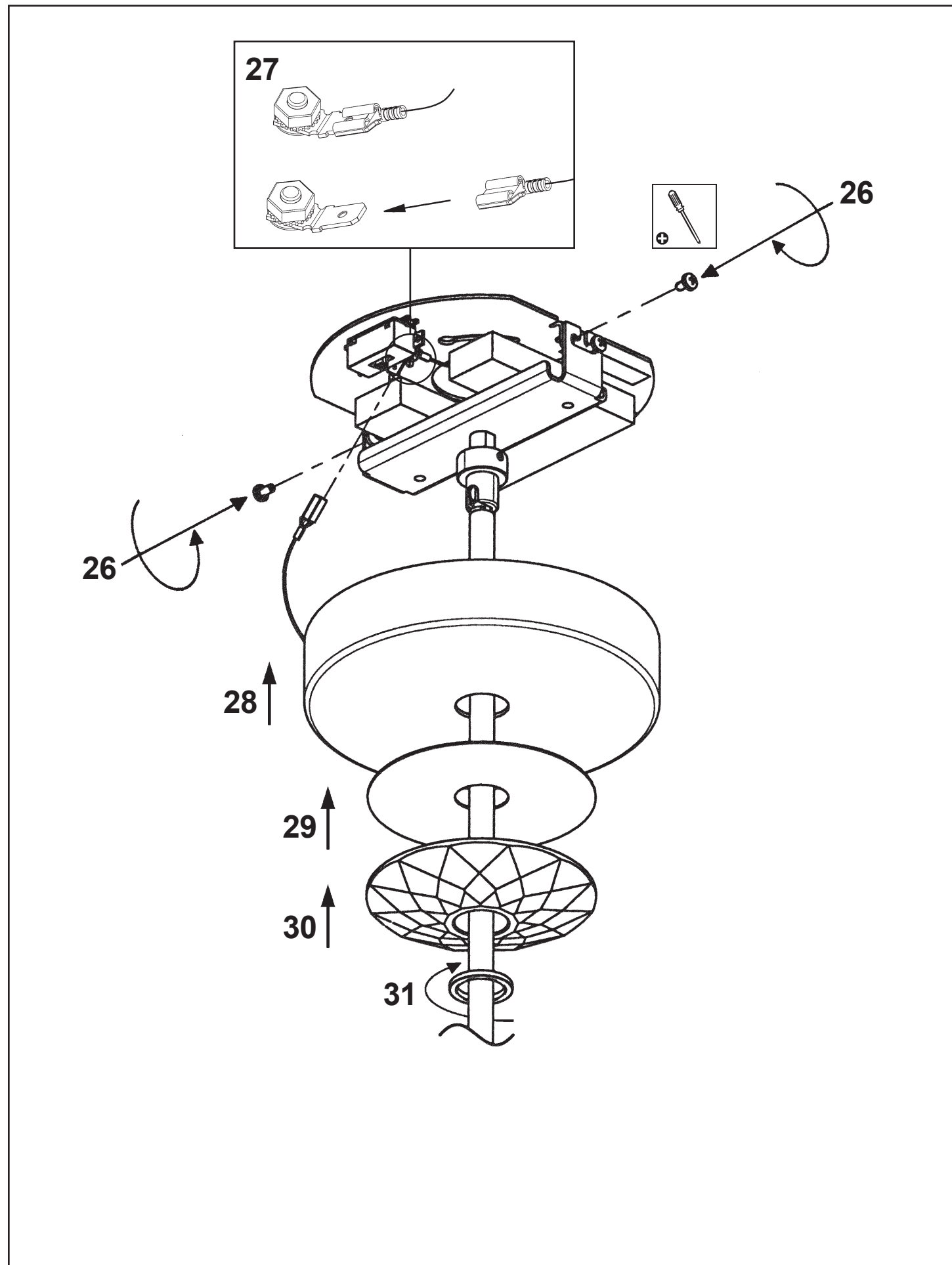
8 X  : SWL2310-ORING

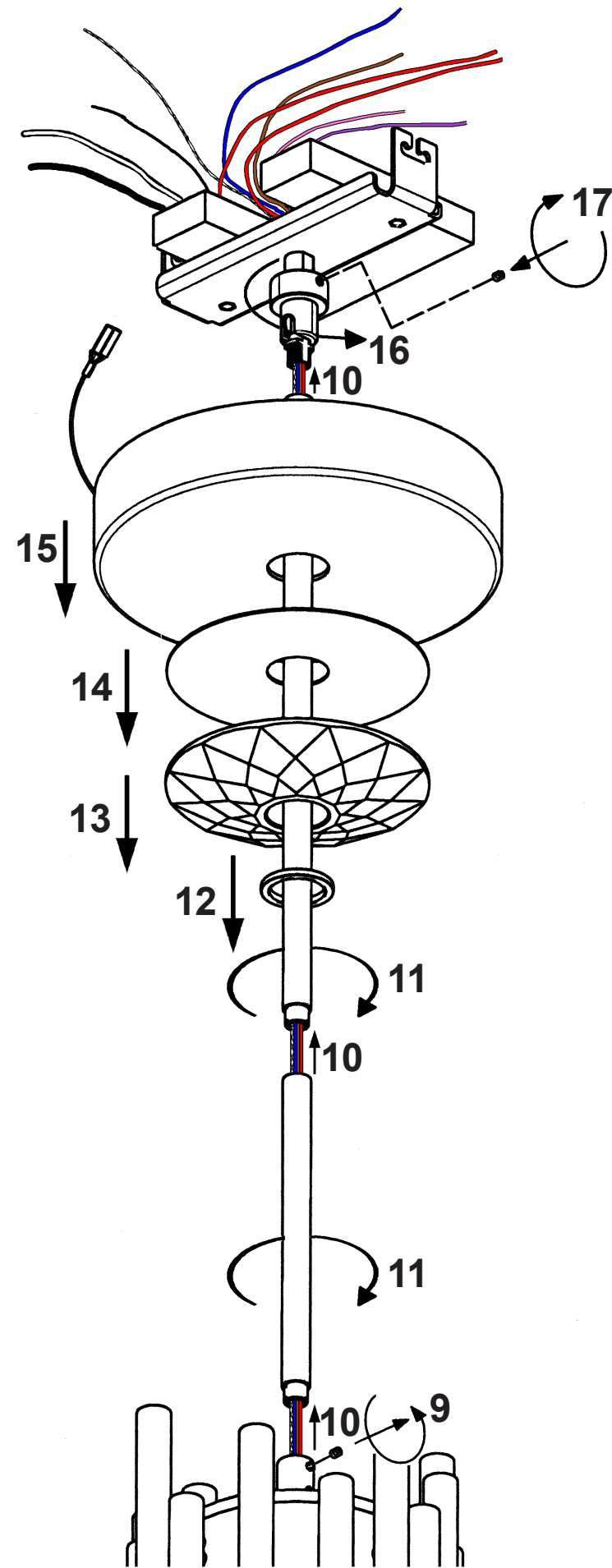
Replacement 12in Rods:  
RPL-ROD-IN12LS-709  
RPL-ROD-IN12LS-710  
RPL-ROD-IN12LS-18

Replacement 6in Rods:  
RPL-ROD-IN06LS-709  
RPL-ROD-IN06LS-710  
RPL-ROD-IN06LS-18

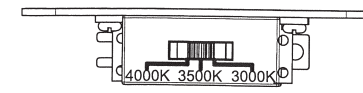


NOTE: ALTERNATE INSTALLING  
23AS0215-121/1 AND 23AS0215-123/1





**19** SELECT DESIRED LED  
COLOR TEMPERATURE  
**NOTE: FIXTURE POWER MUST  
BE OFF BEFORE CHANGING  
THE CCT SETTING.**



3000K = WARM  
3500K = WARM/NATURAL  
4000K = NATURAL

