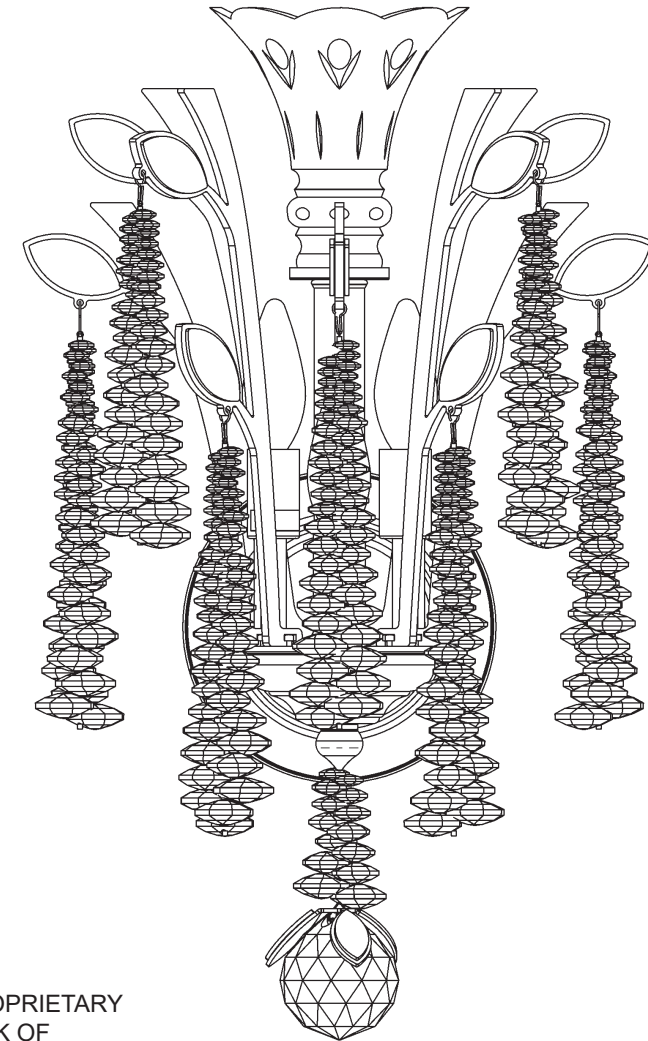


SCHONBEK
*Signature*TM

MACLYN
S58503- __ __R



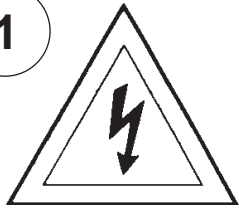
THIS DESIGN IS THE PROPRIETARY
TRADE DRESS/TRADEMARK OF
W SCHONBEK LLC.

SCHONBEK
*Signature*TM

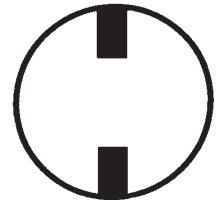
| | | | | | | | | |
|-----------------|-----------|--|--|--|--|--|--|--|
| | | | | | | | | |
| MAX <u>60</u> W | 110-120 V | | | | | | | |

WARNING:

1

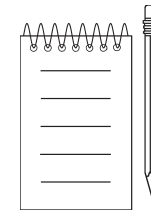
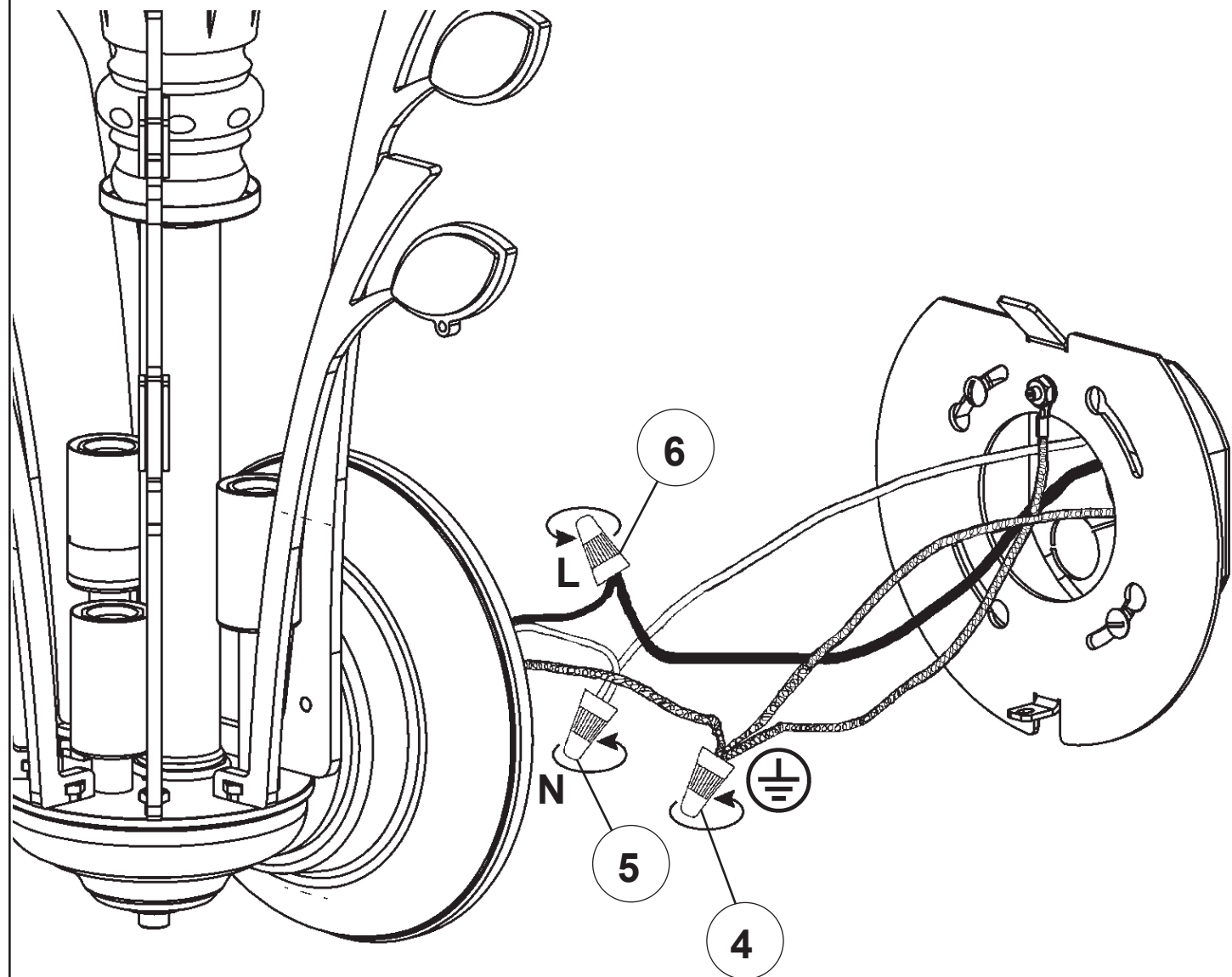
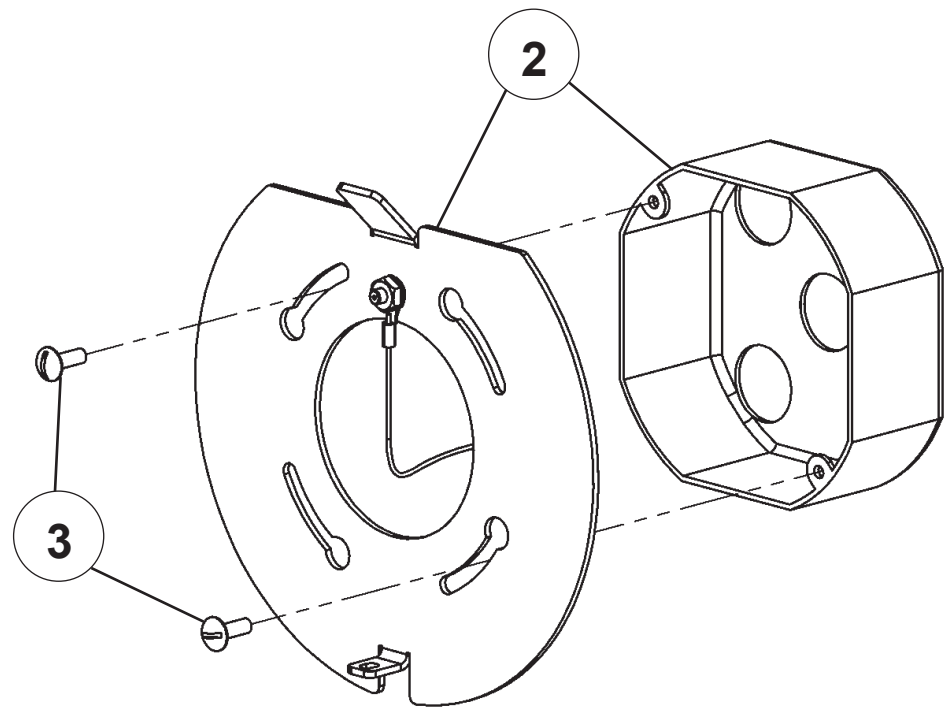


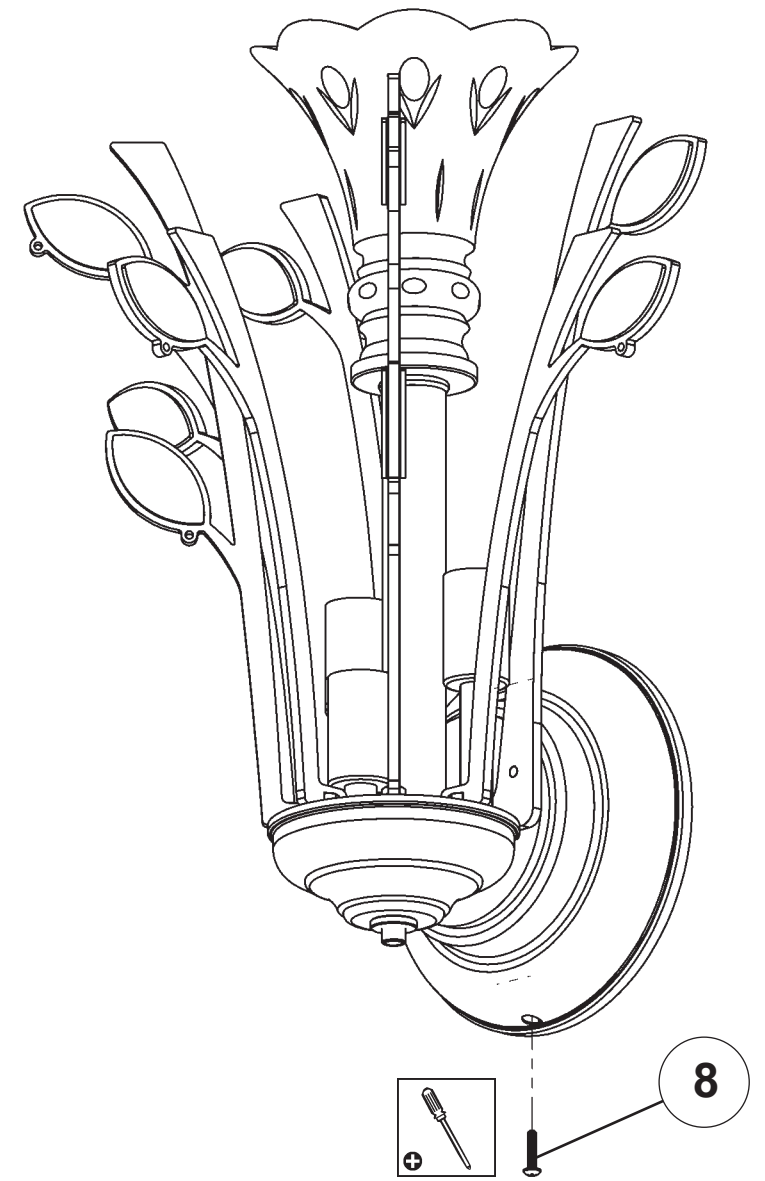
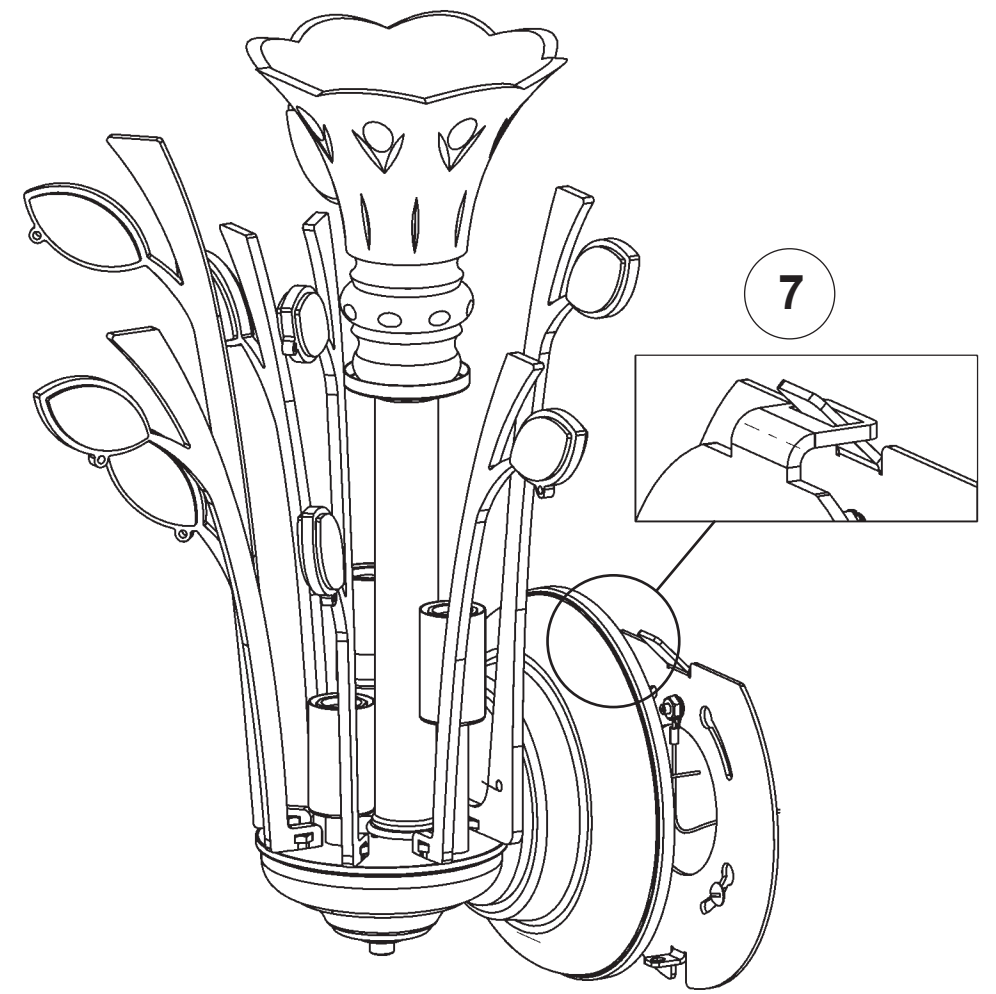
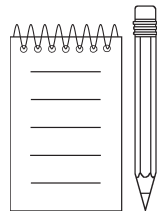
Electrical Danger

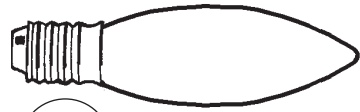


Turn Power Off

All electrical components must be installed by a licensed electrician in accordance with the National Electric Code and the appropriate local electrical codes.



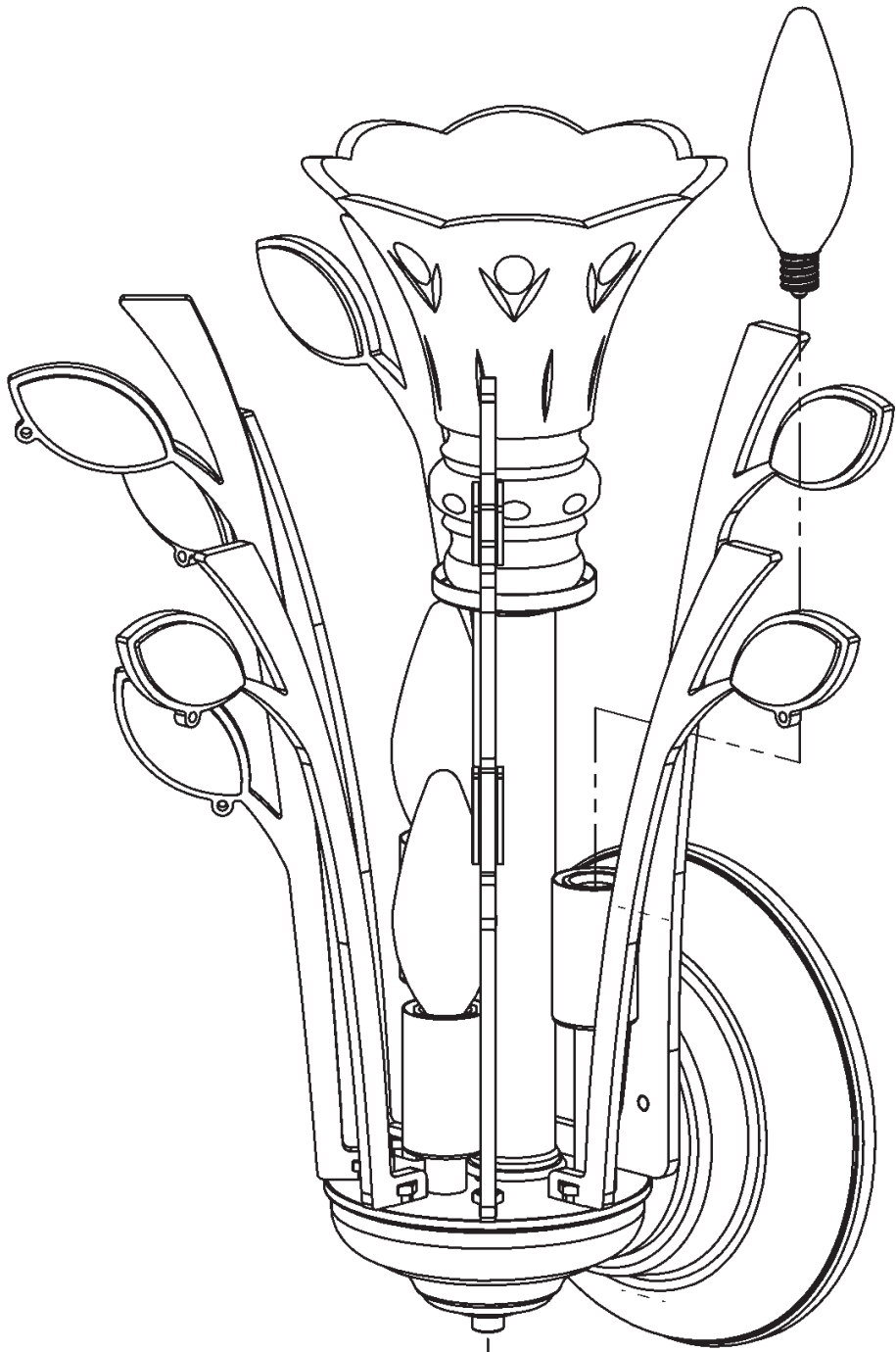




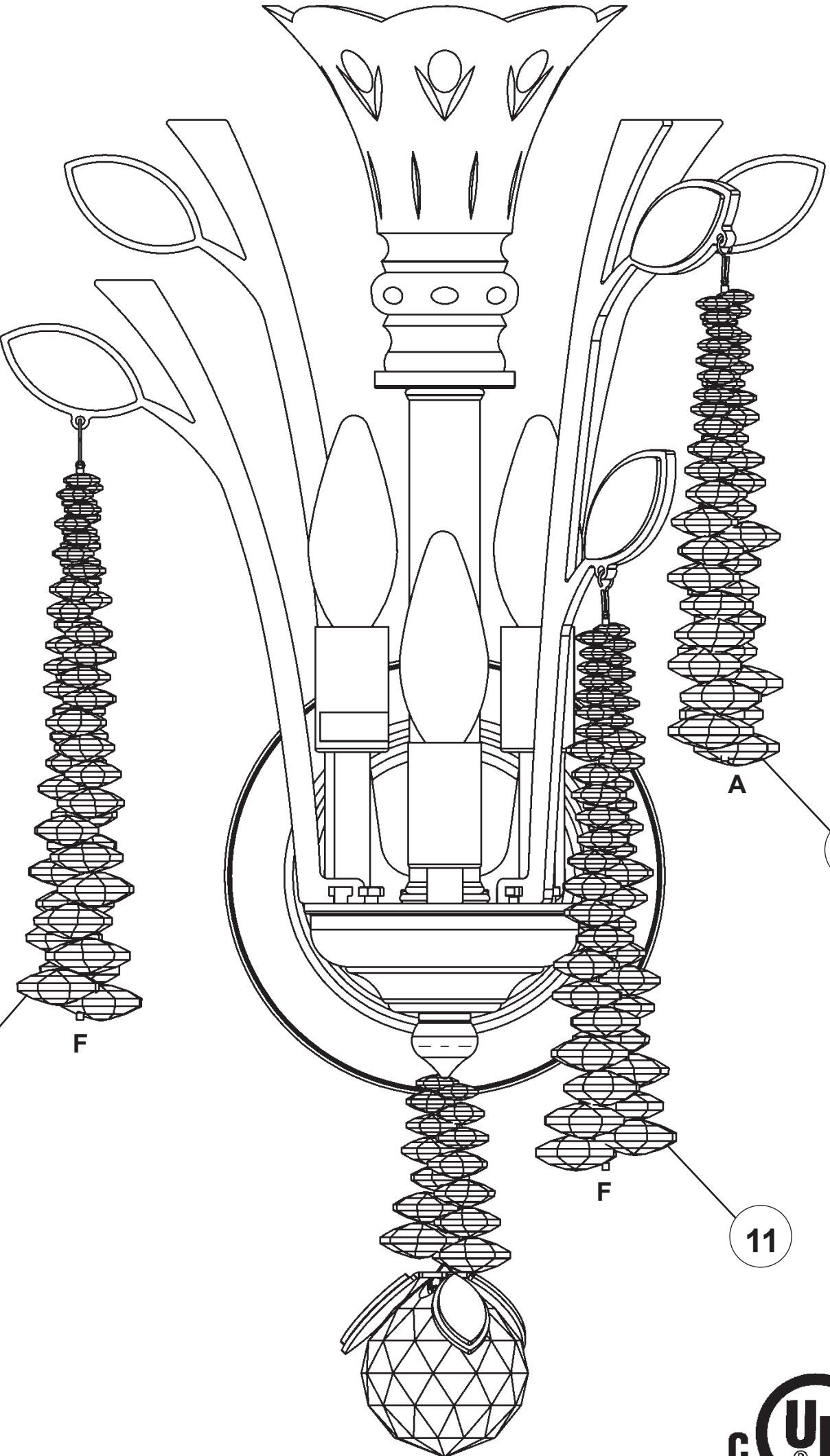
9

You will need 3 - B10
25 Watts Recommended
60 Watts Max

Install bulbs and be sure
to test fixture **BEFORE**
trimming.



10 SWL2403-FIN3-**



12

13

11

