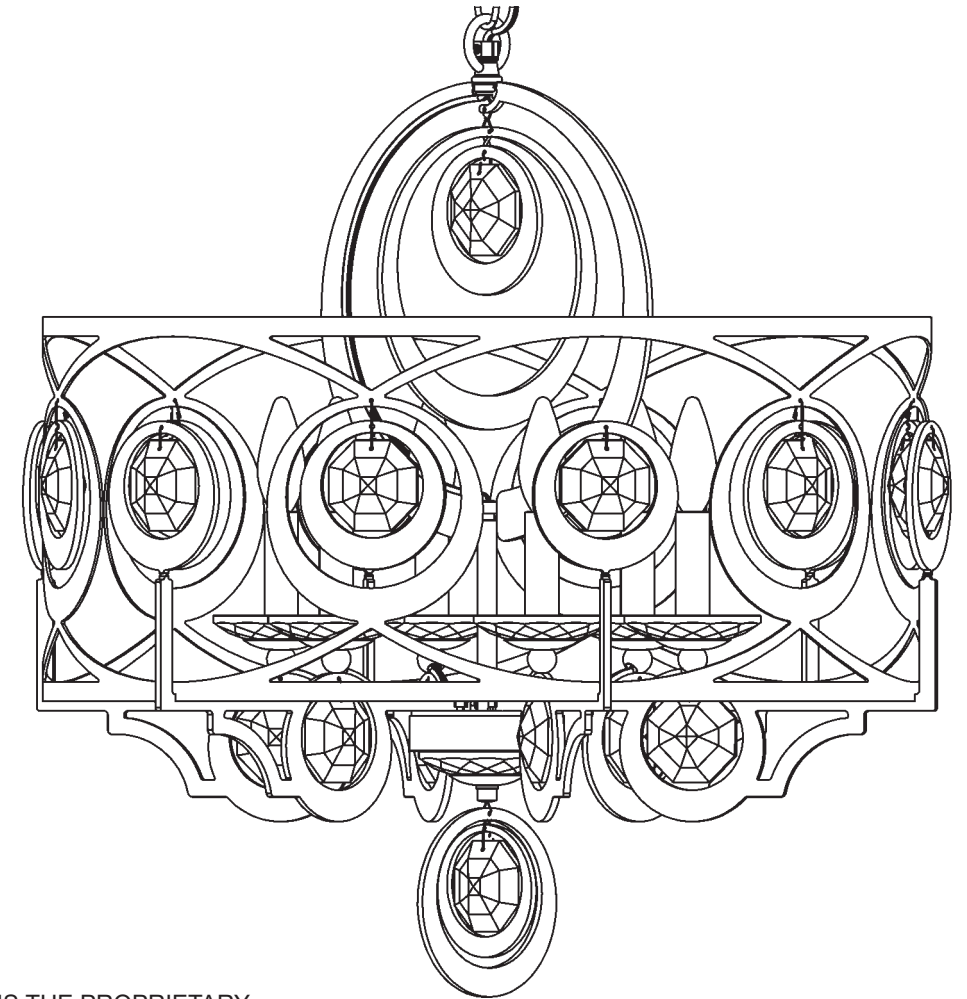


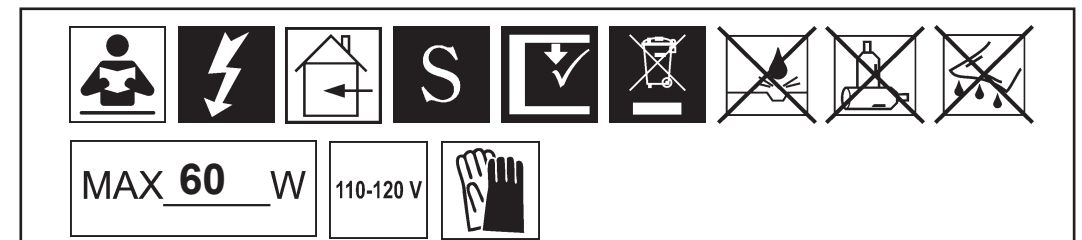
SCHONBEK  
*Signature*<sup>TM</sup>

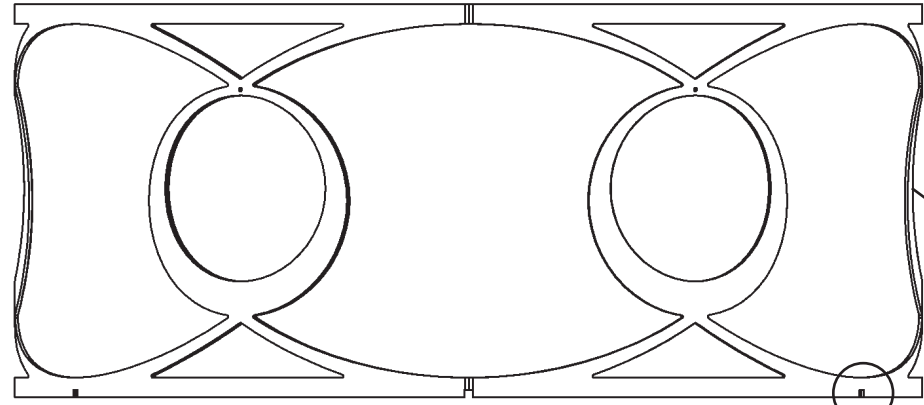
**GWENDOLYNN  
S10506-\_\_R**



**T**HIS DESIGN IS THE PROPRIETARY  
TRADE DRESS/TRADEMARK OF  
W SCHONBEK LLC.

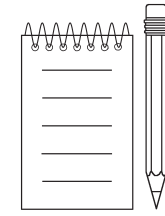
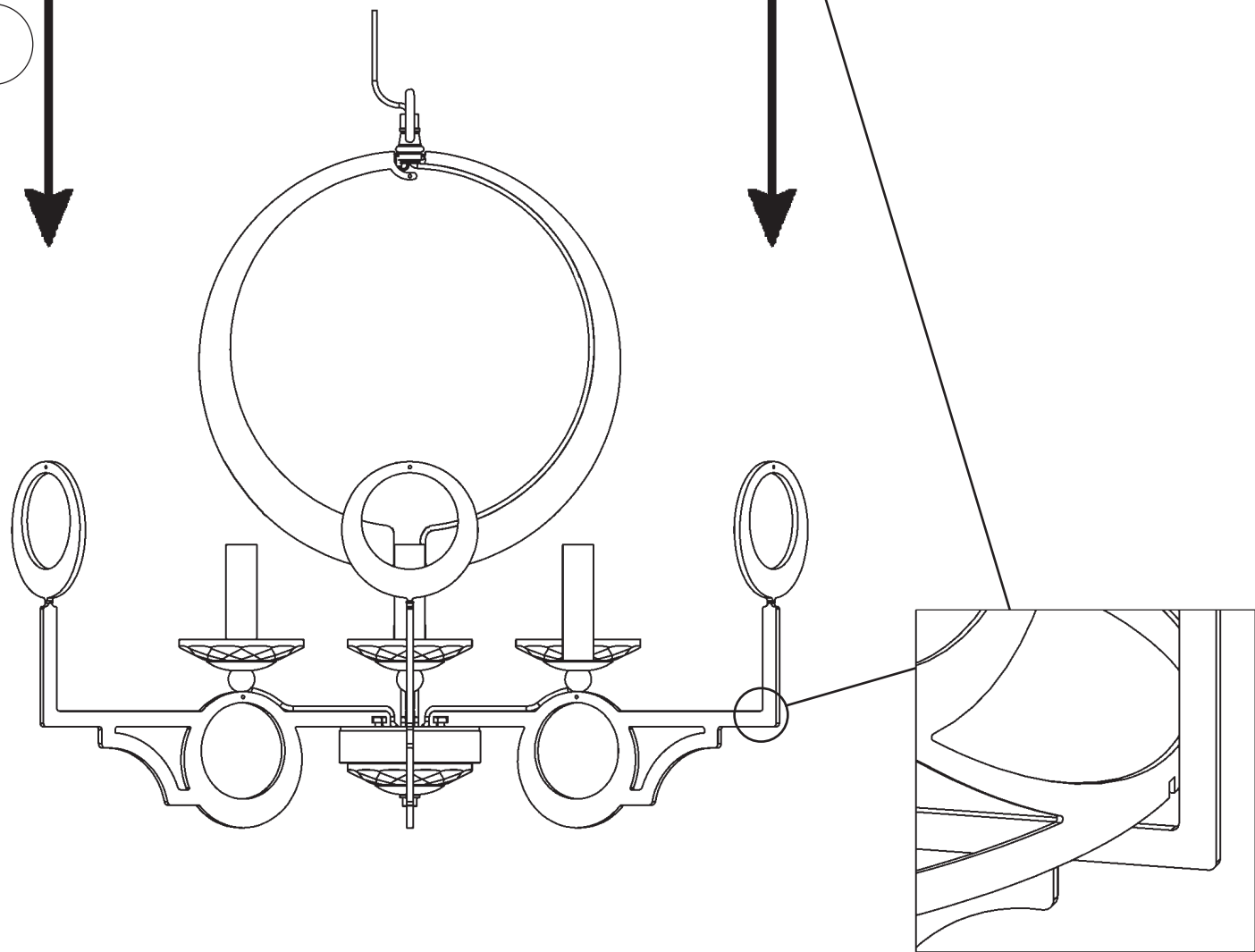
SCHONBEK  
*Signature*<sup>TM</sup>

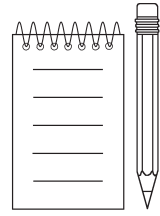




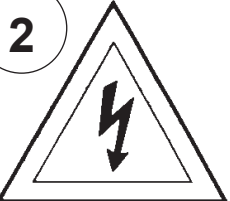
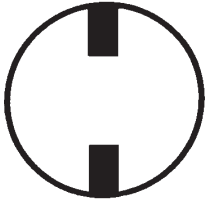
WB100603-\*\*

1

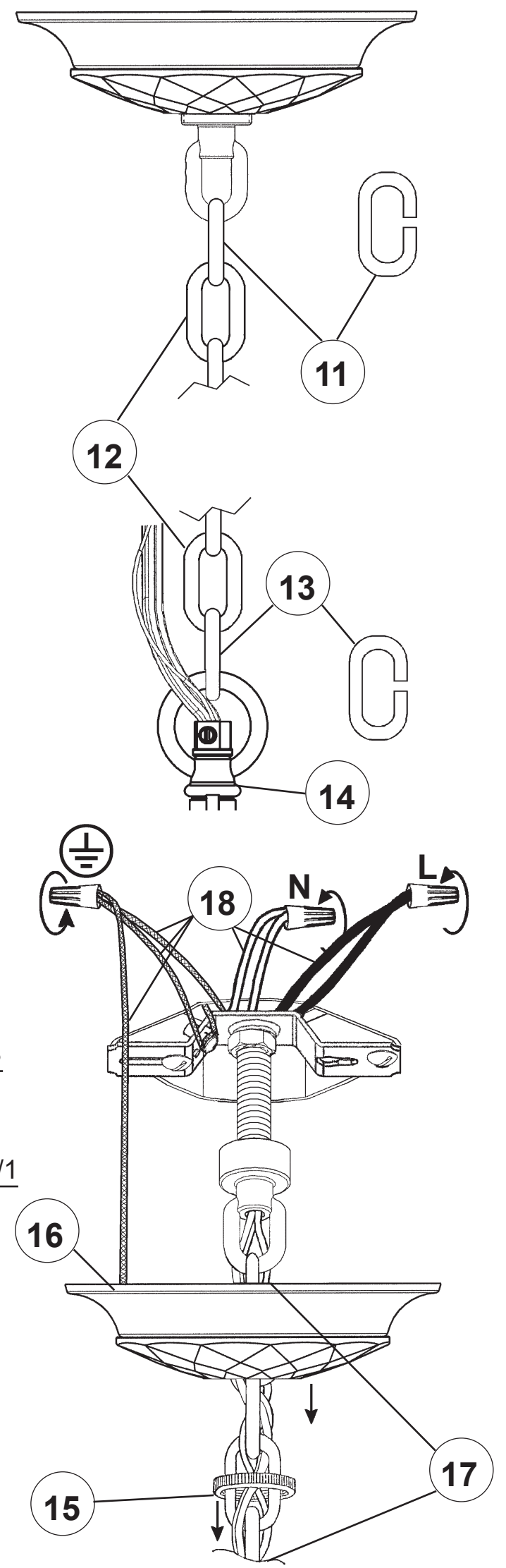
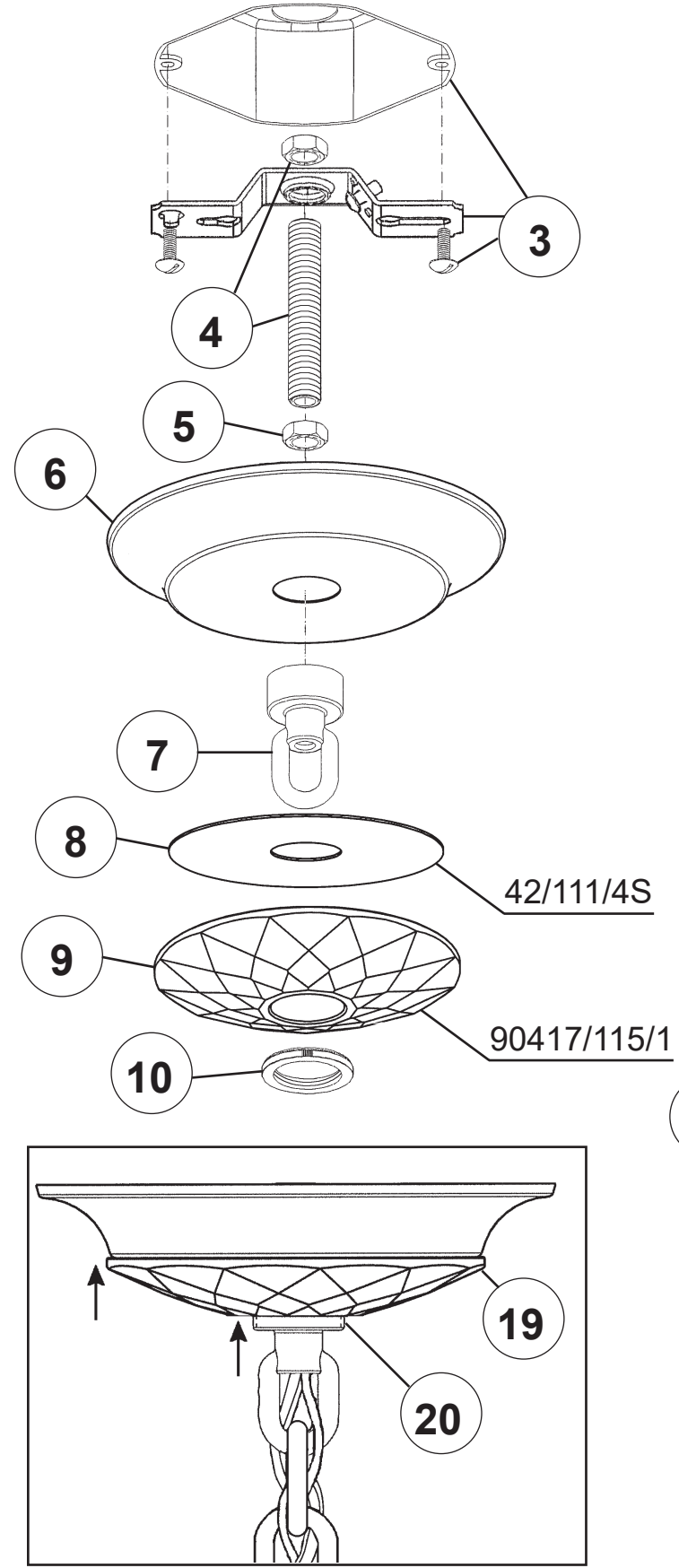




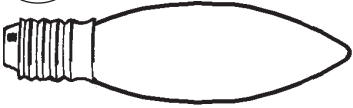
**WARNING:**

2  **Electrical Danger**  **Turn Power Off**

All electrical components must be installed by a licensed electrician in accordance with the National Electric Code and the appropriate local electrical codes.



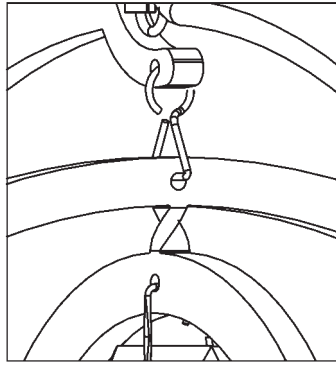
**22**



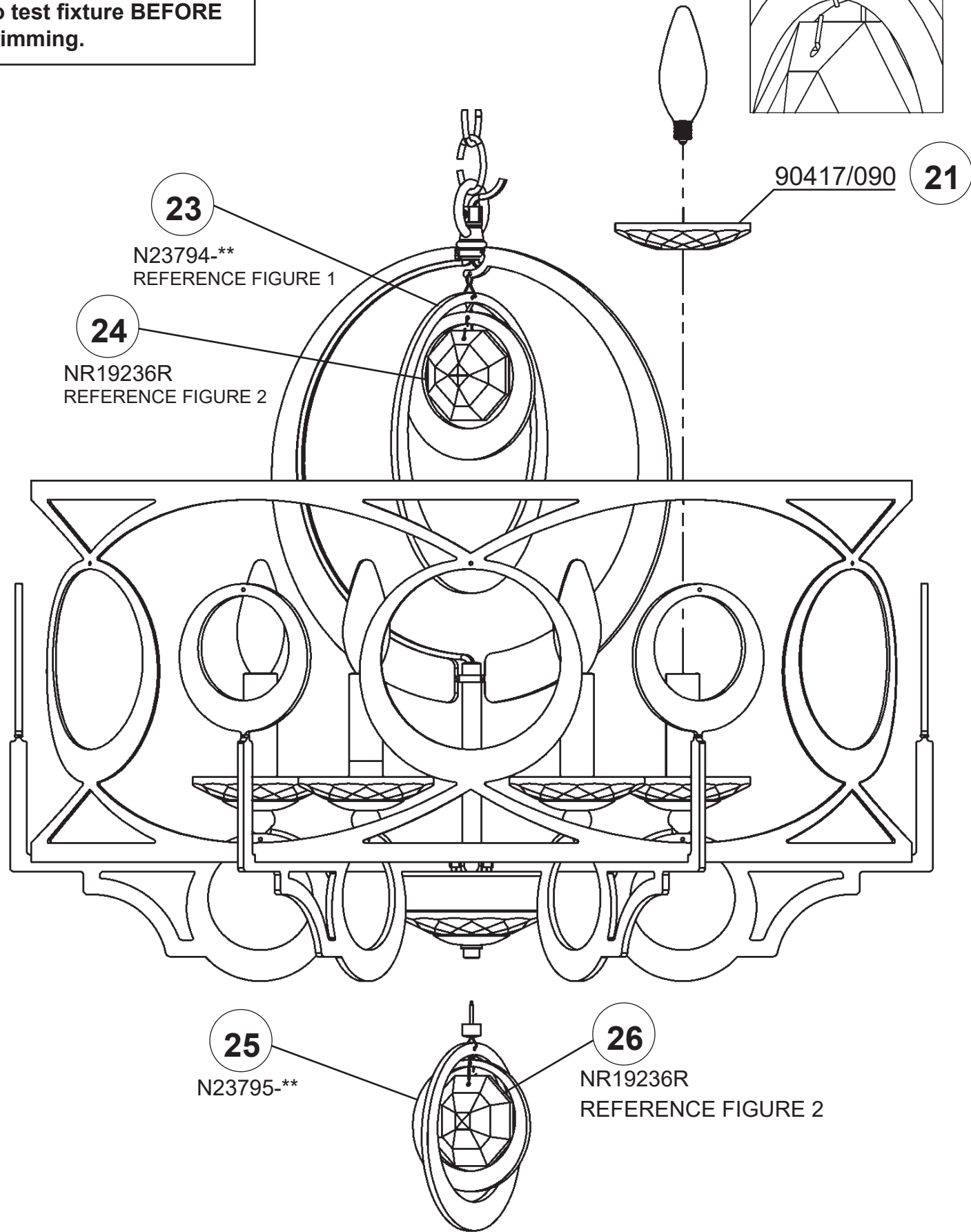
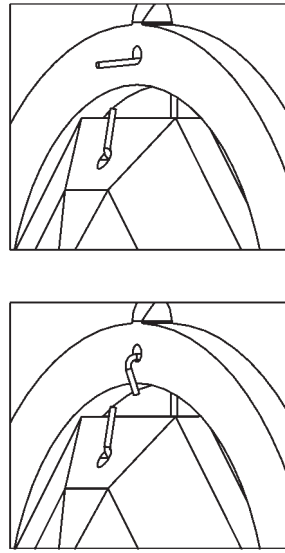
You will need 6 - B10  
25 Watts Recommended  
60 Watts Max

**Install bulbs and be sure  
to test fixture BEFORE  
trimming.**

**FIGURE 1**



**FIGURE 2**



**FIGURE 3**

