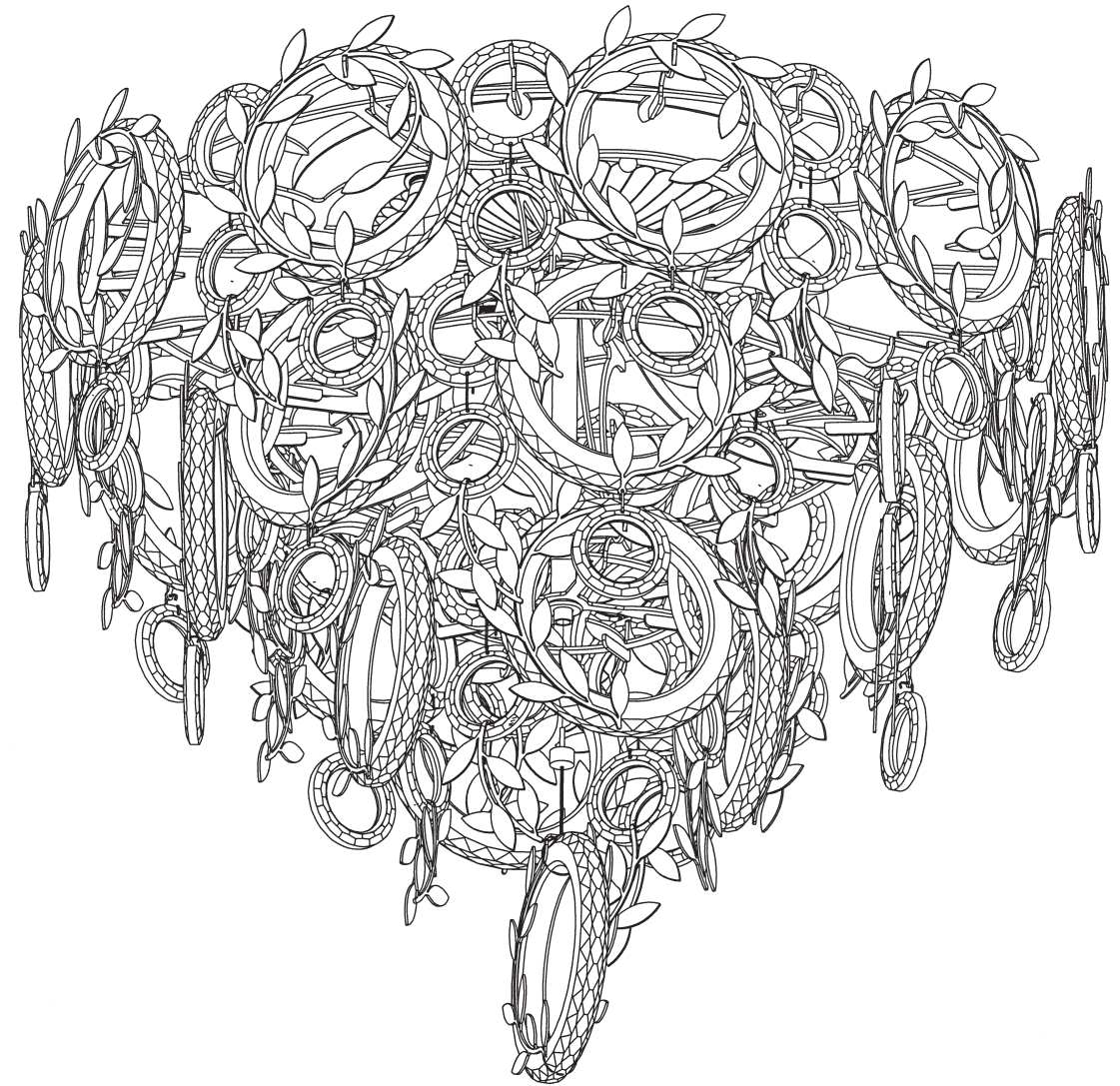


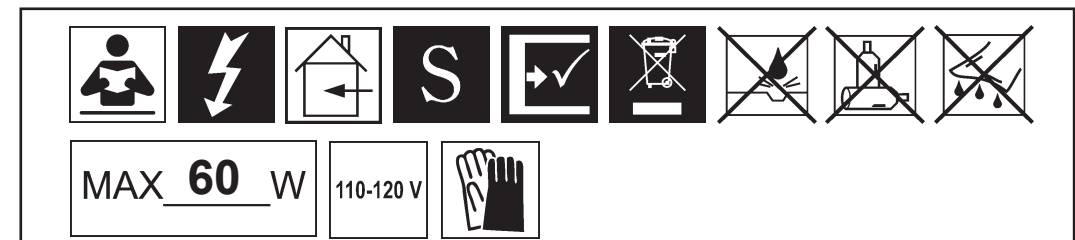
CONCETTA
S24523- __ __ R



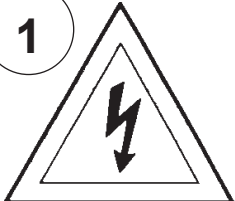
THIS DESIGN IS THE PROPRIETARY
TRADE DRESS/TRADemark OF
W SCHONBEK LLC.

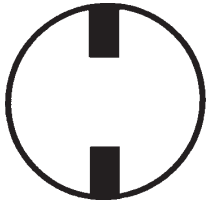
SCHONBEK
Signature[™]

SCHONBEK
Signature[™]

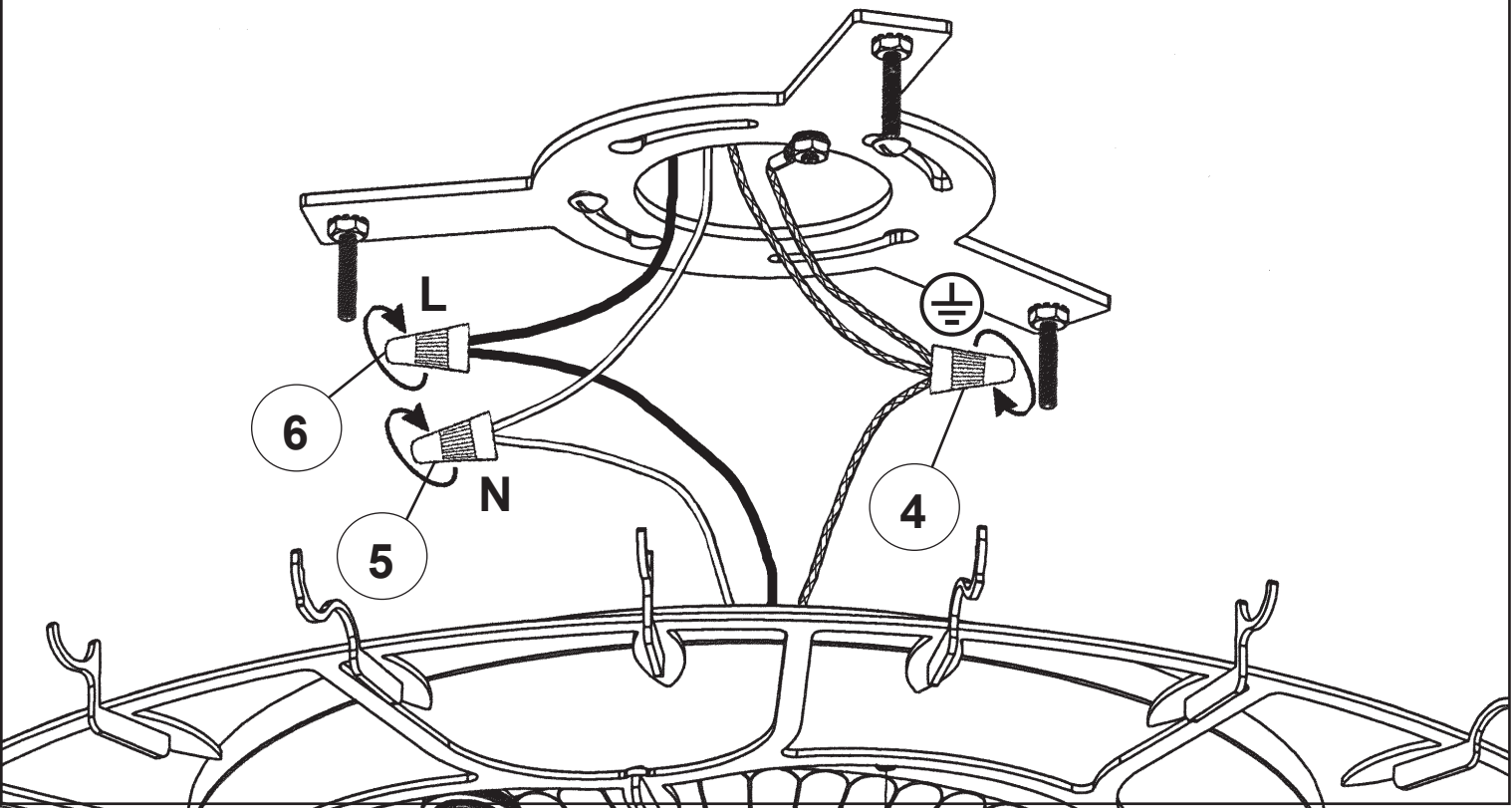
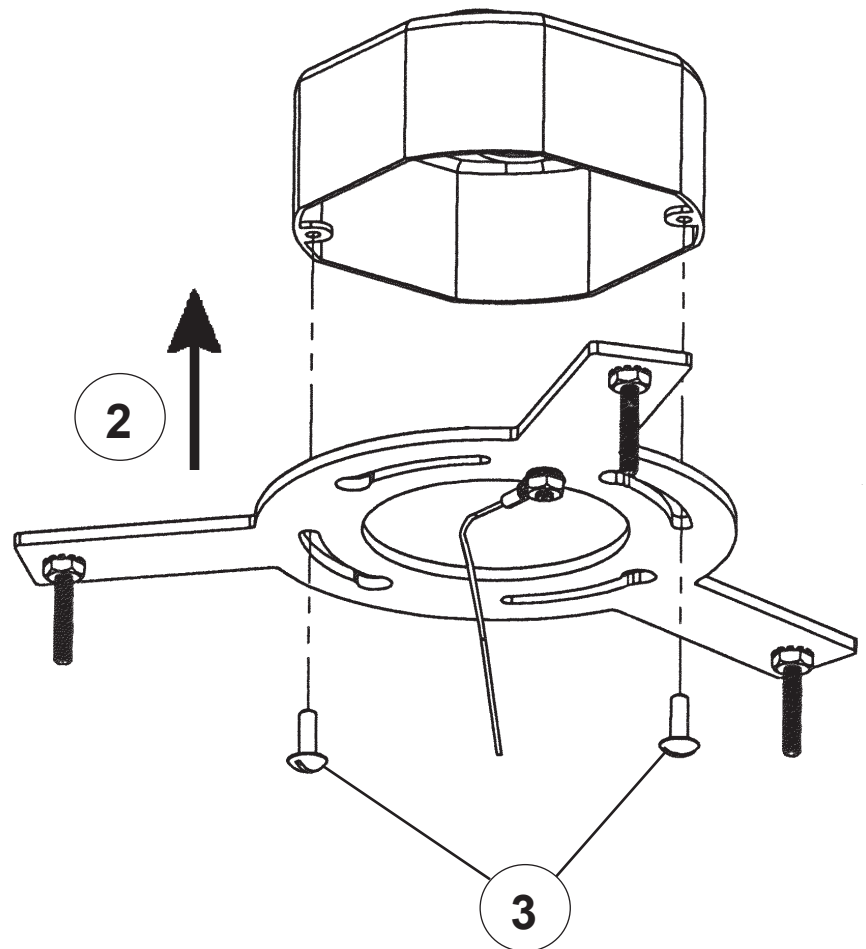
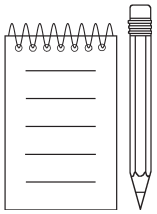


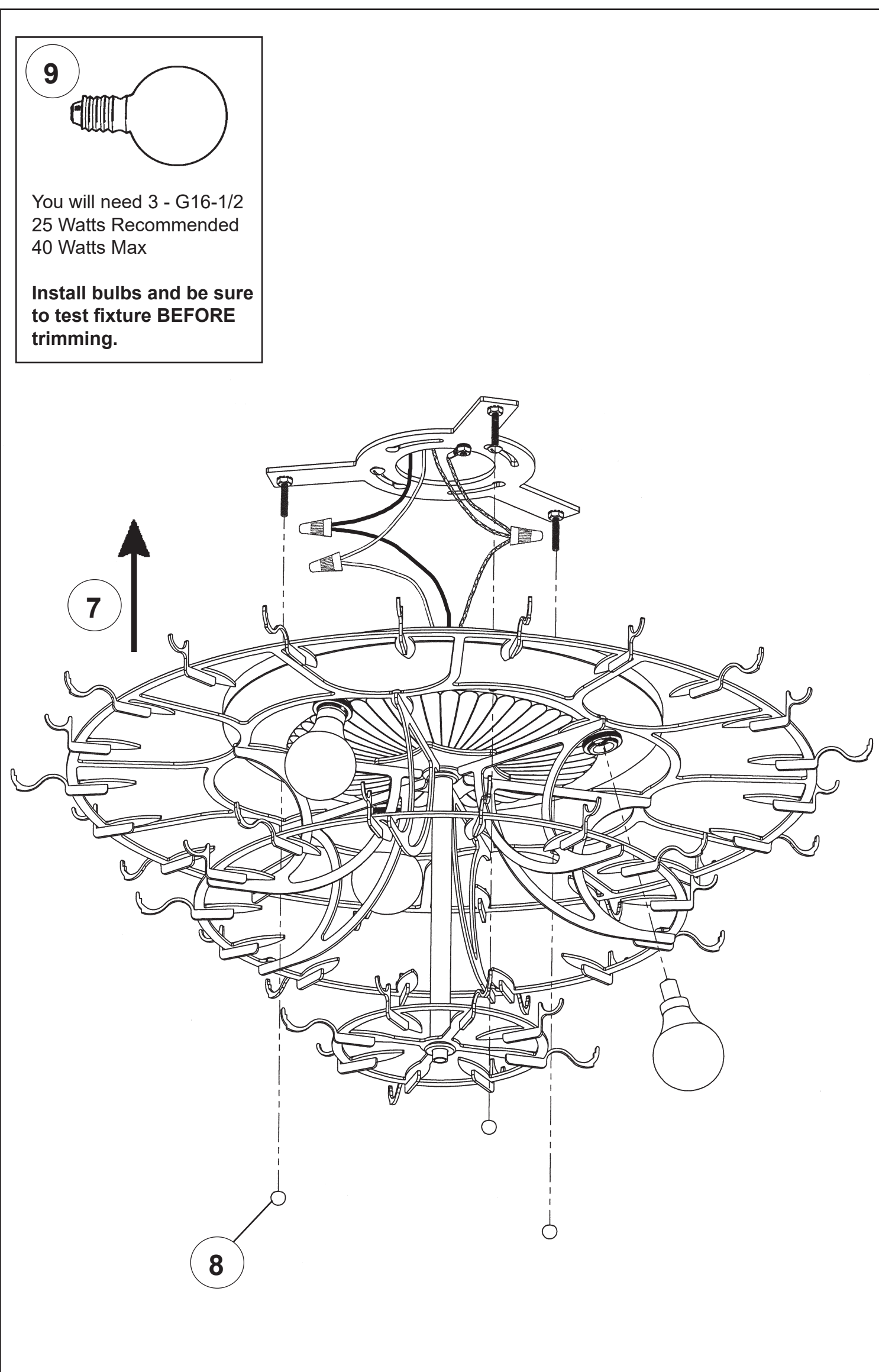
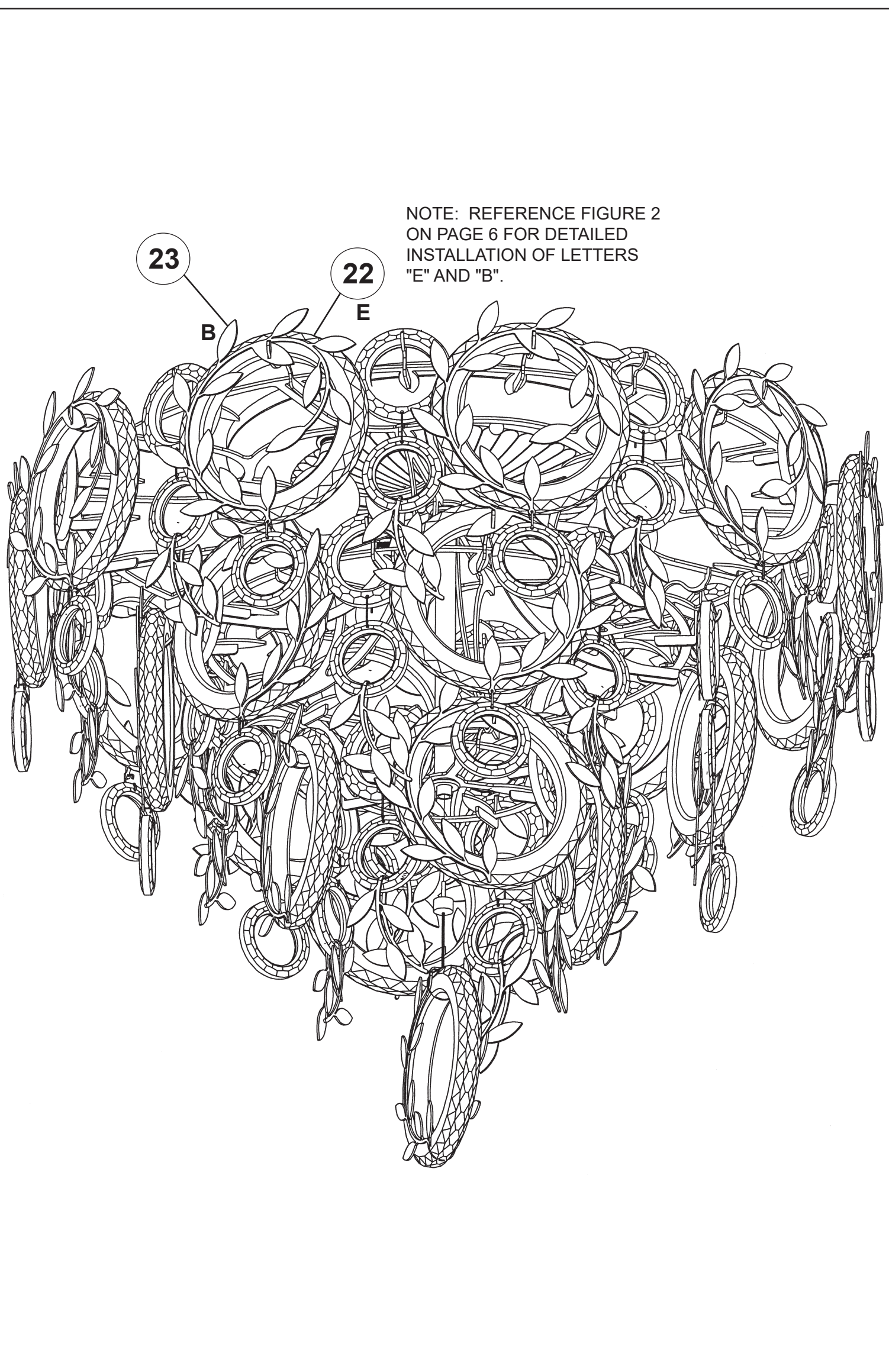
WARNING:

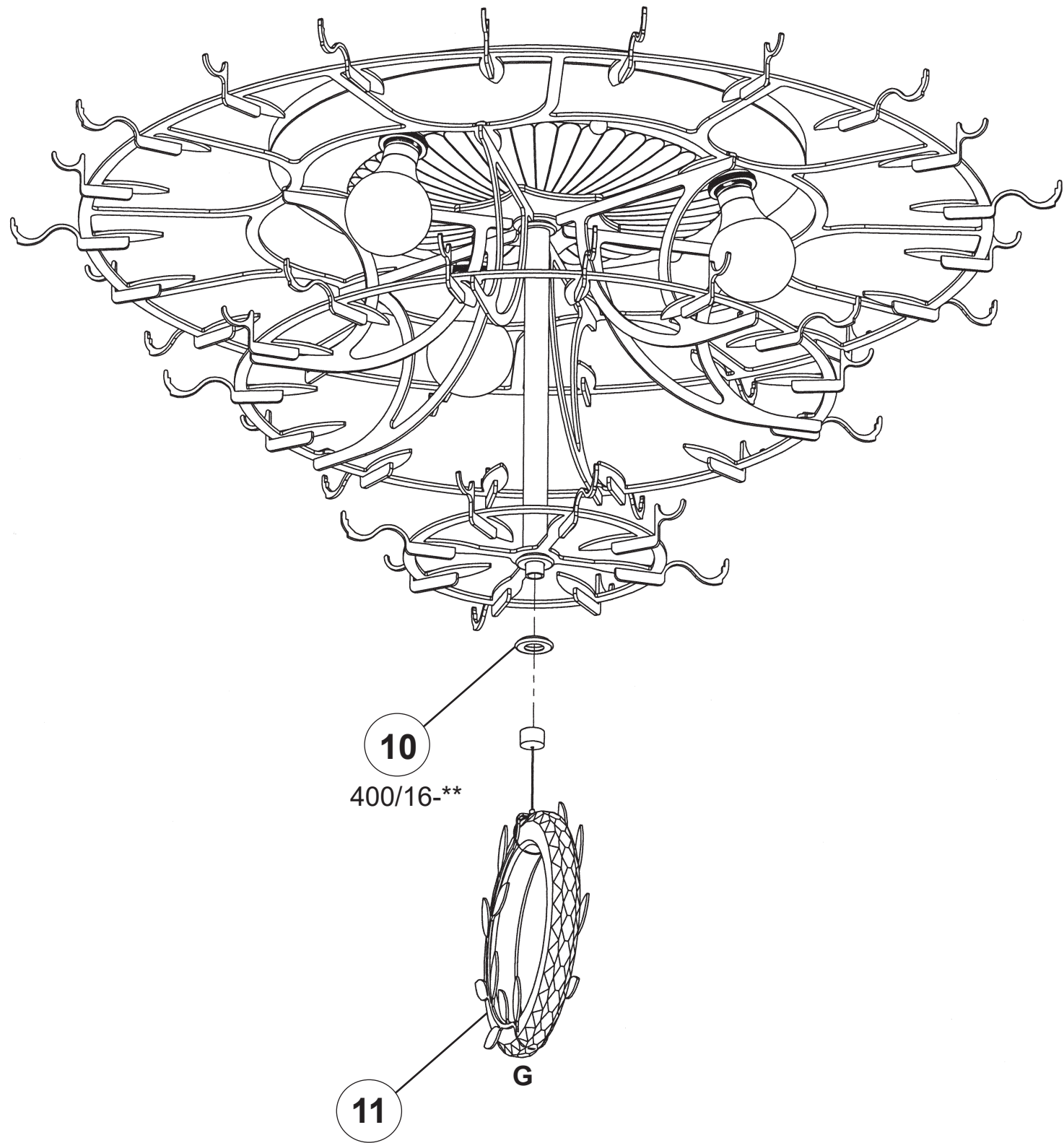
1  **Electrical Danger**

 **Turn Power Off**

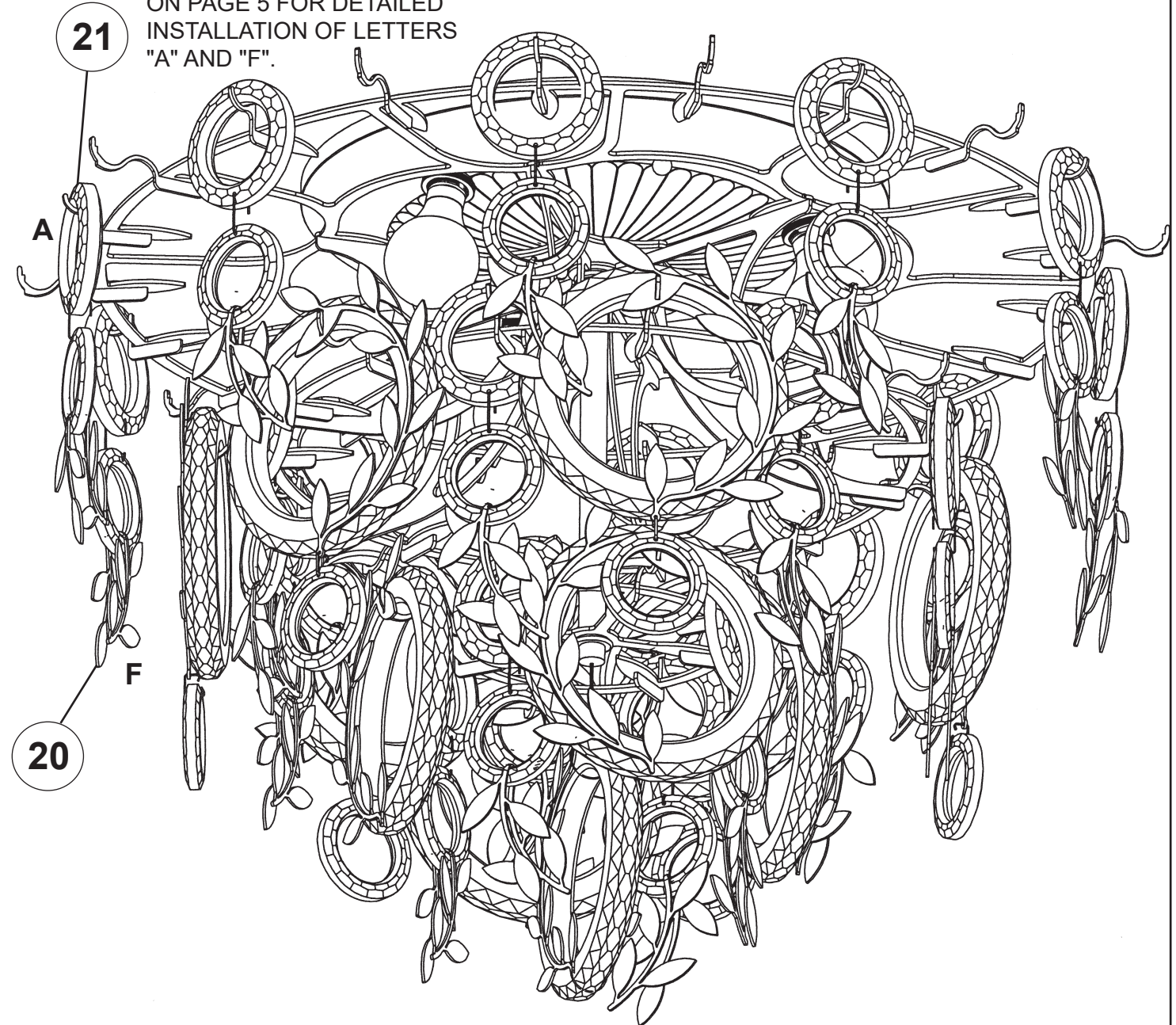
All electrical components must be installed by a licensed electrician in accordance with the National Electric Code and the appropriate local electrical codes.

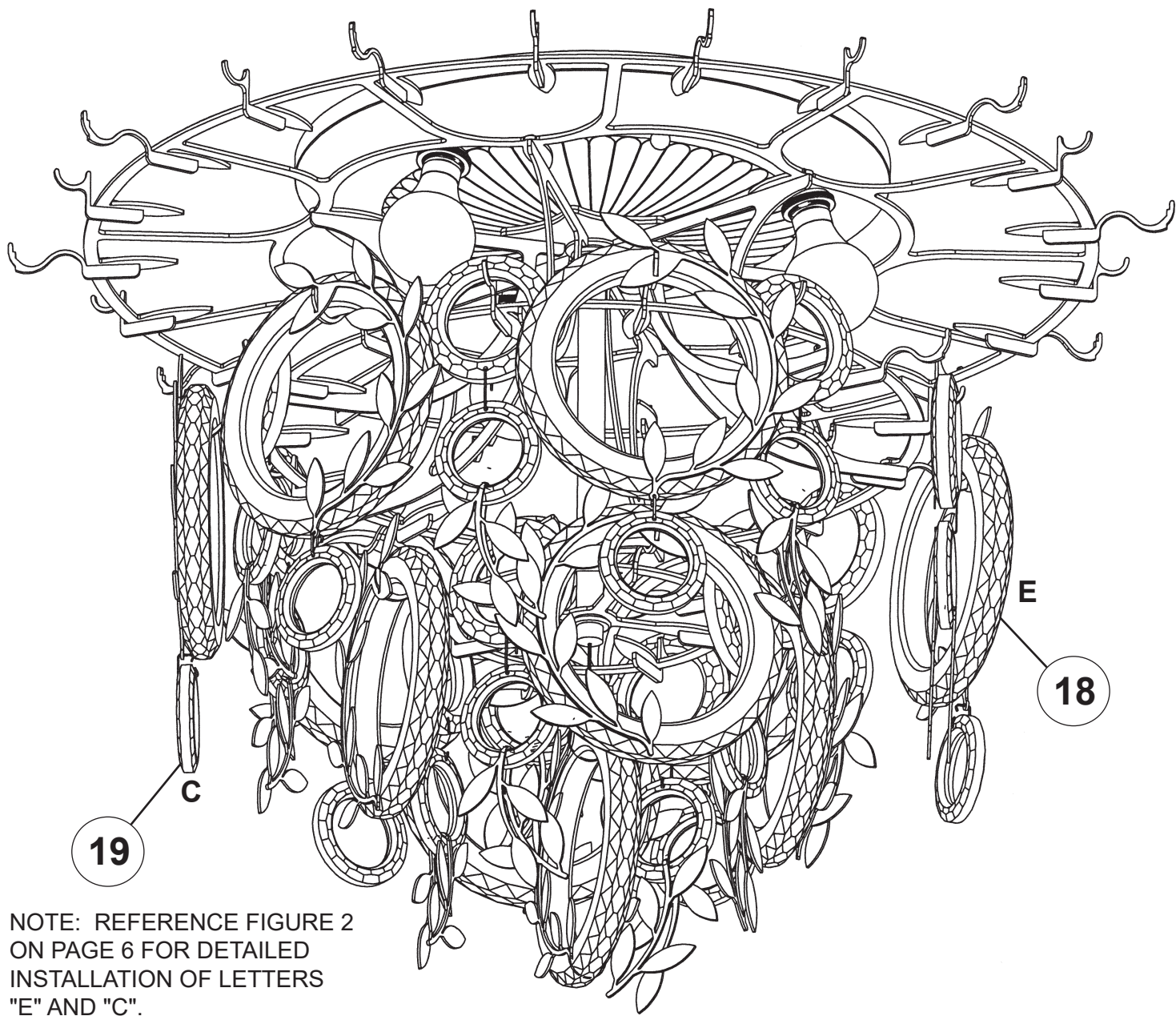






NOTE: REFERENCE FIGURE 1
ON PAGE 5 FOR DETAILED
INSTALLATION OF LETTERS
"A" AND "F".



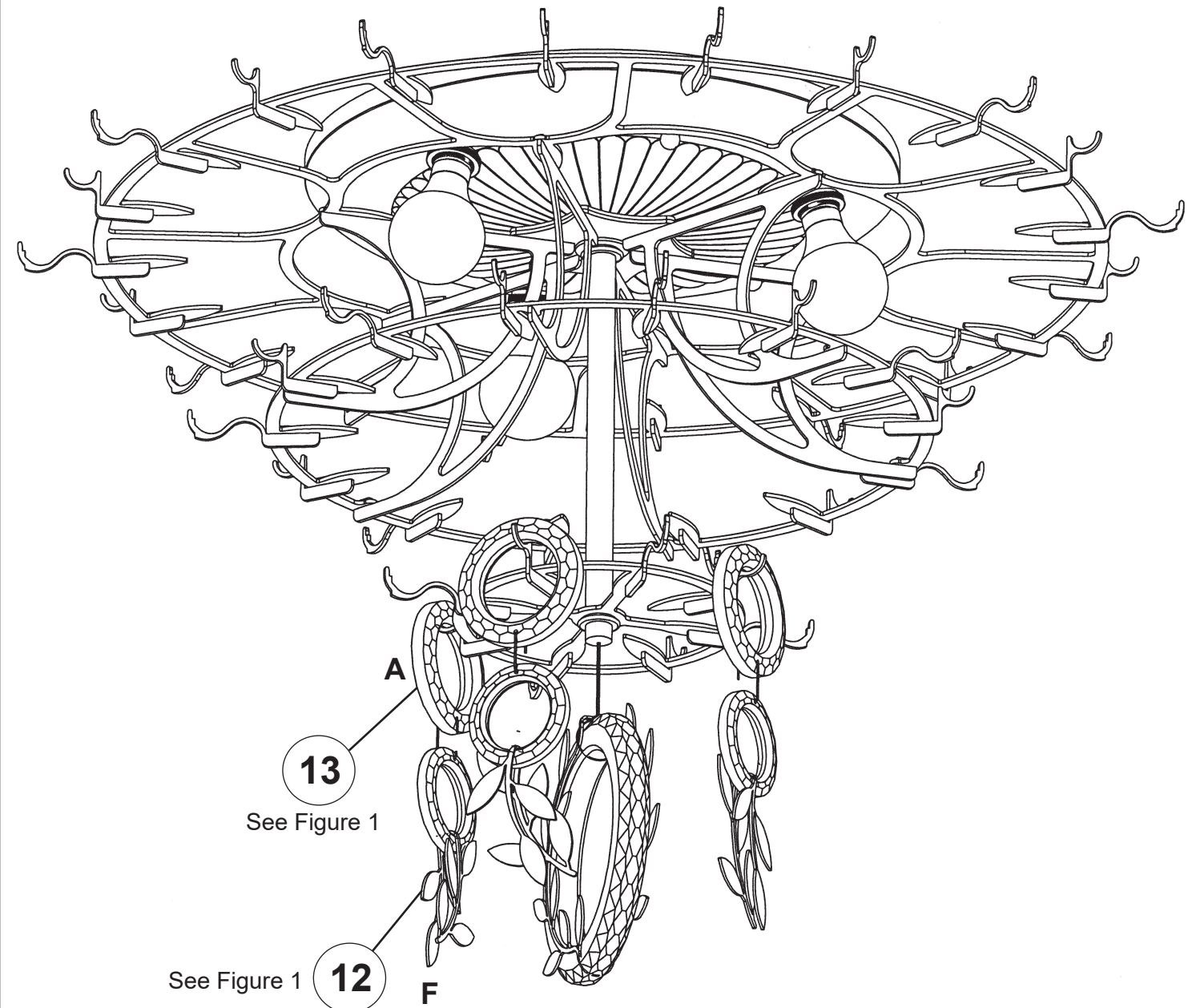
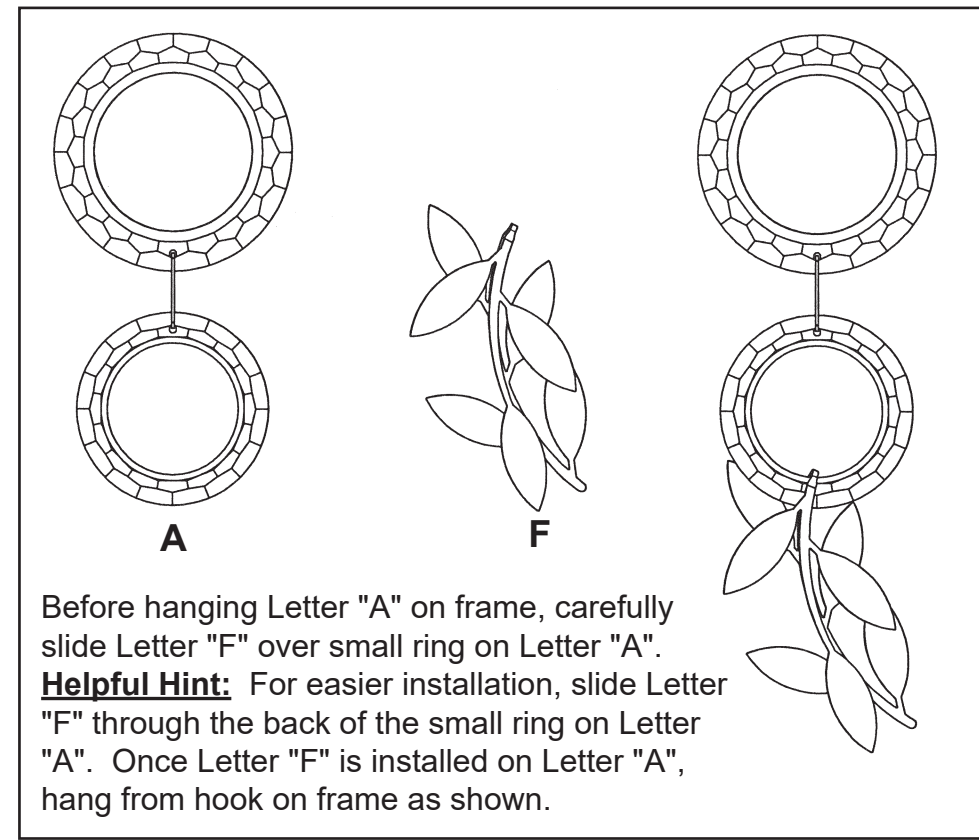


18

19

NOTE: REFERENCE FIGURE 2 ON PAGE 6 FOR DETAILED INSTALLATION OF LETTERS "E" AND "C".

FIGURE 1



13

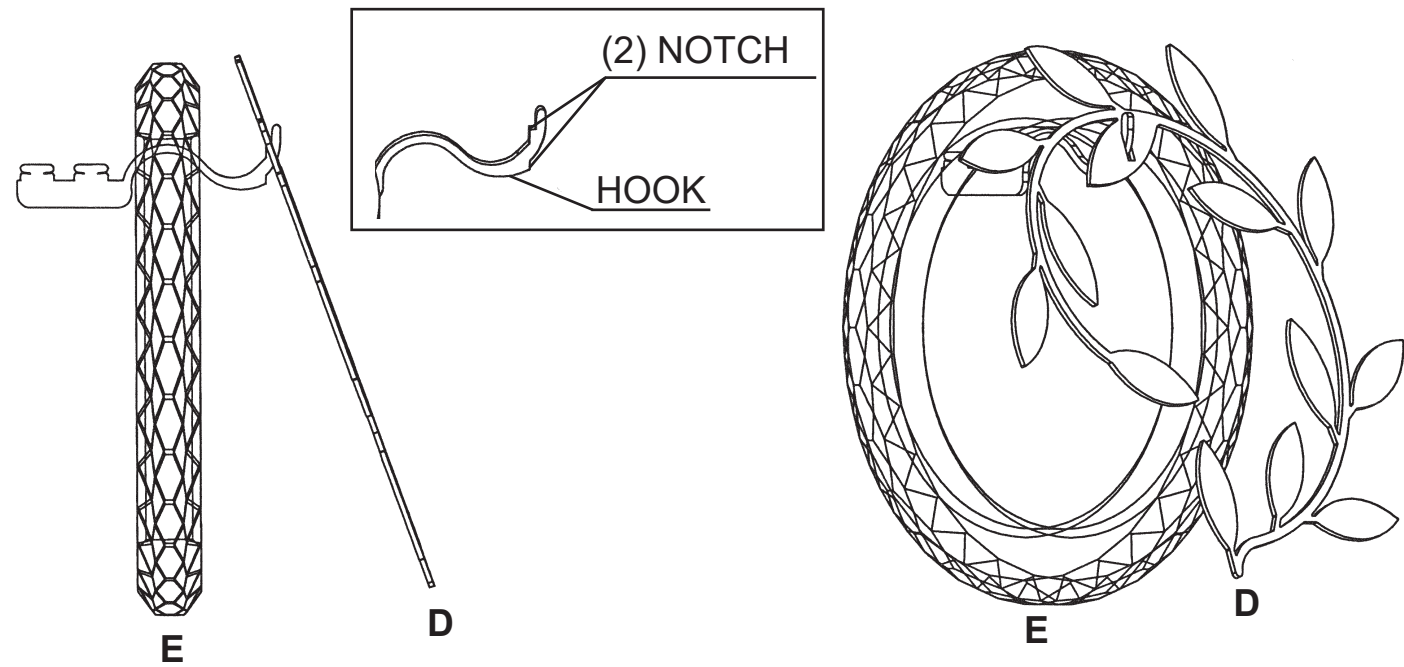
See Figure 1

12

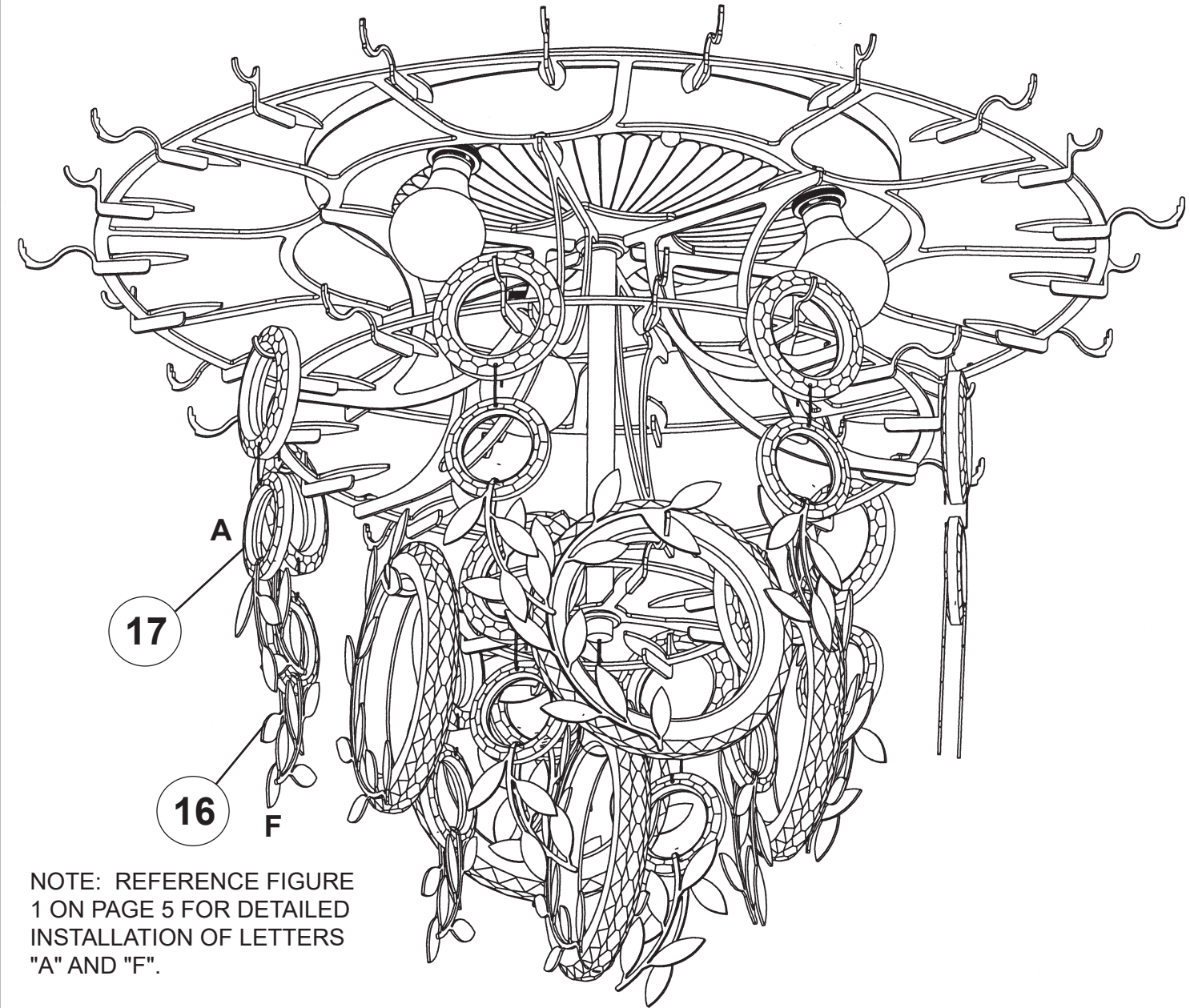
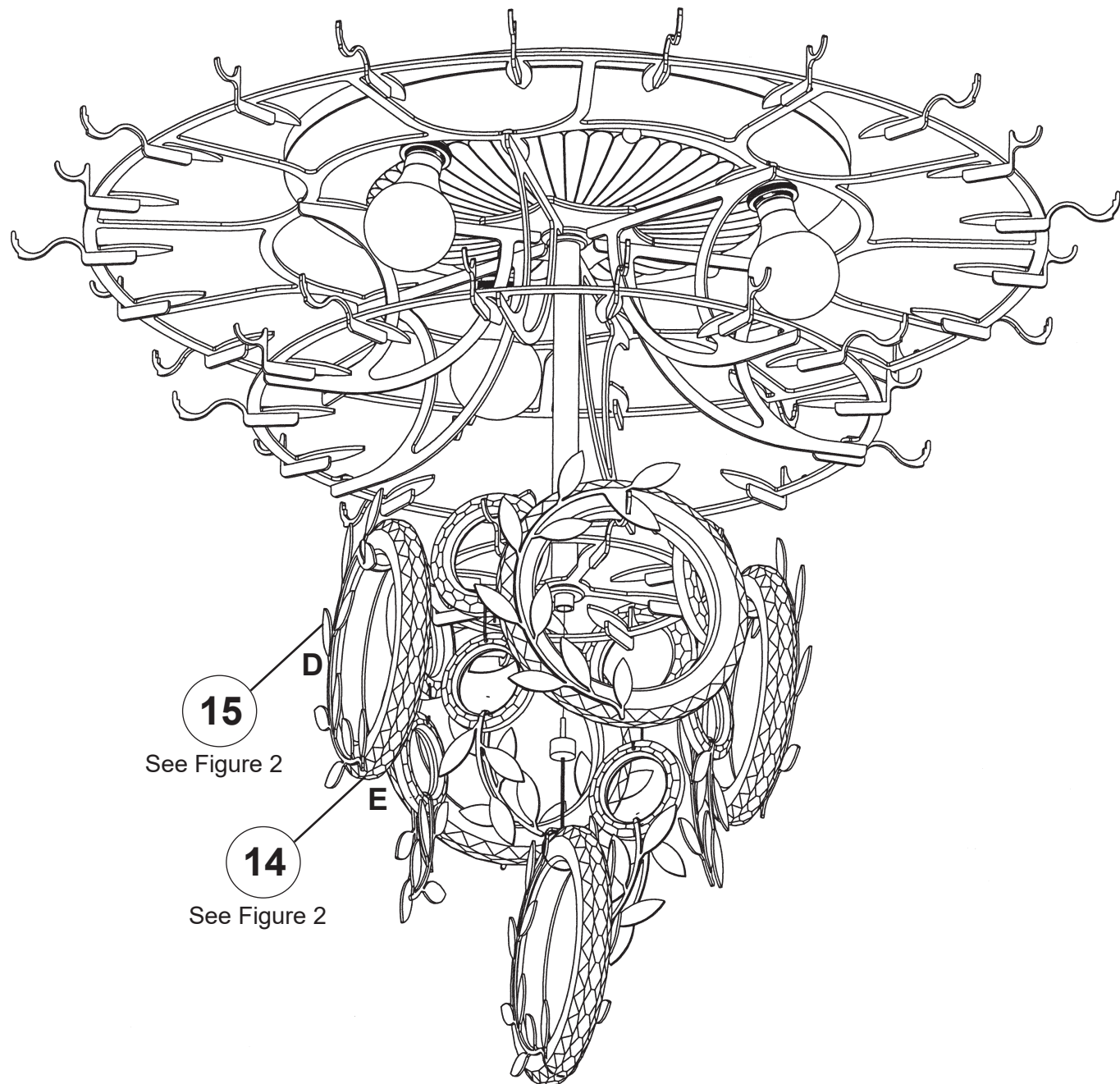
See Figure 1

F

FIGURE 2



Place Letter "E" over hook on frame and allow to rest on the arched portion of the hook temporarily. Tilt Letter "D" at a slight angle and slide over hook. Letter "D" will rest on two notches on the hook. See illustration above. Once Letter "D" is in place, carefully slide Letter "E" into lower part of the hook. When installed correctly, Letter "E" and Letter "D" will hold each other in place.



NOTE: REFERENCE FIGURE 1 ON PAGE 5 FOR DETAILED INSTALLATION OF LETTERS "A" AND "F".