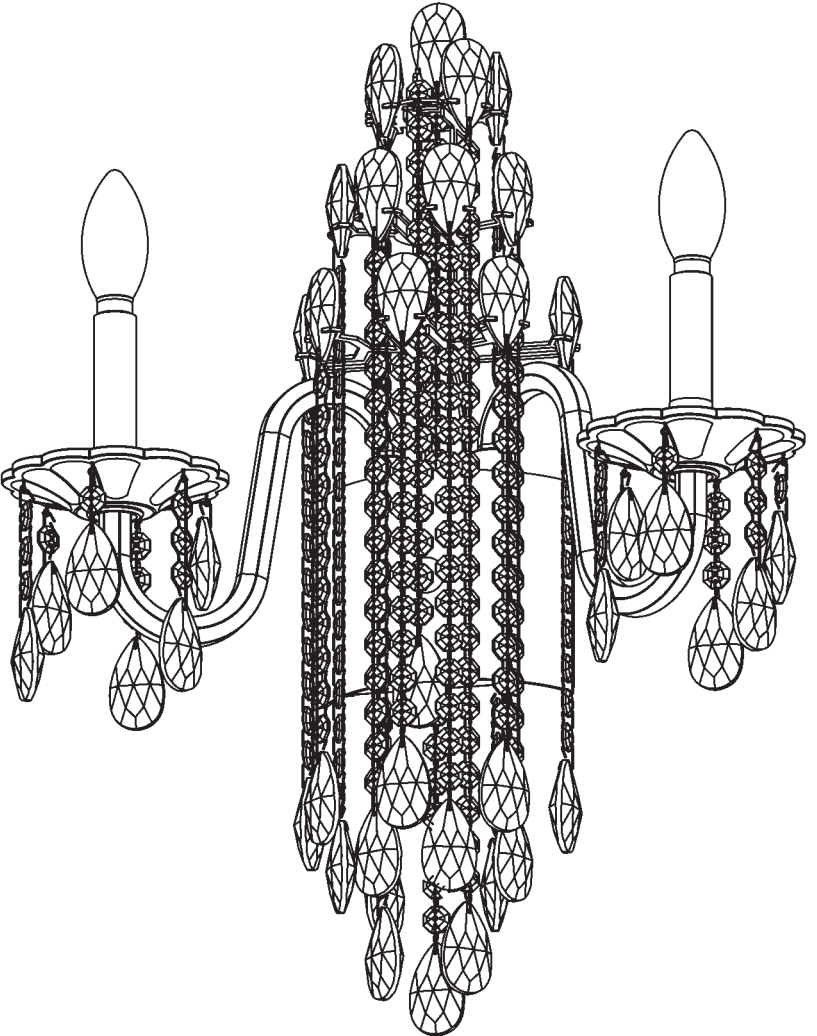


RAINIER S93502-__ __R



THIS DESIGN IS THE PROPRIETARY TRADE DRESS/TRADemark OF W SCHONBEK LLC.

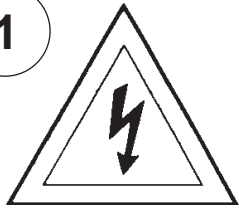
SCHONBEK
*Signature*TM

SCHONBEK
*Signature*TM

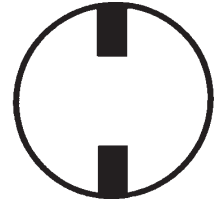
MAX 60 W		110-120 V						

WARNING:

1

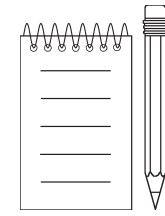
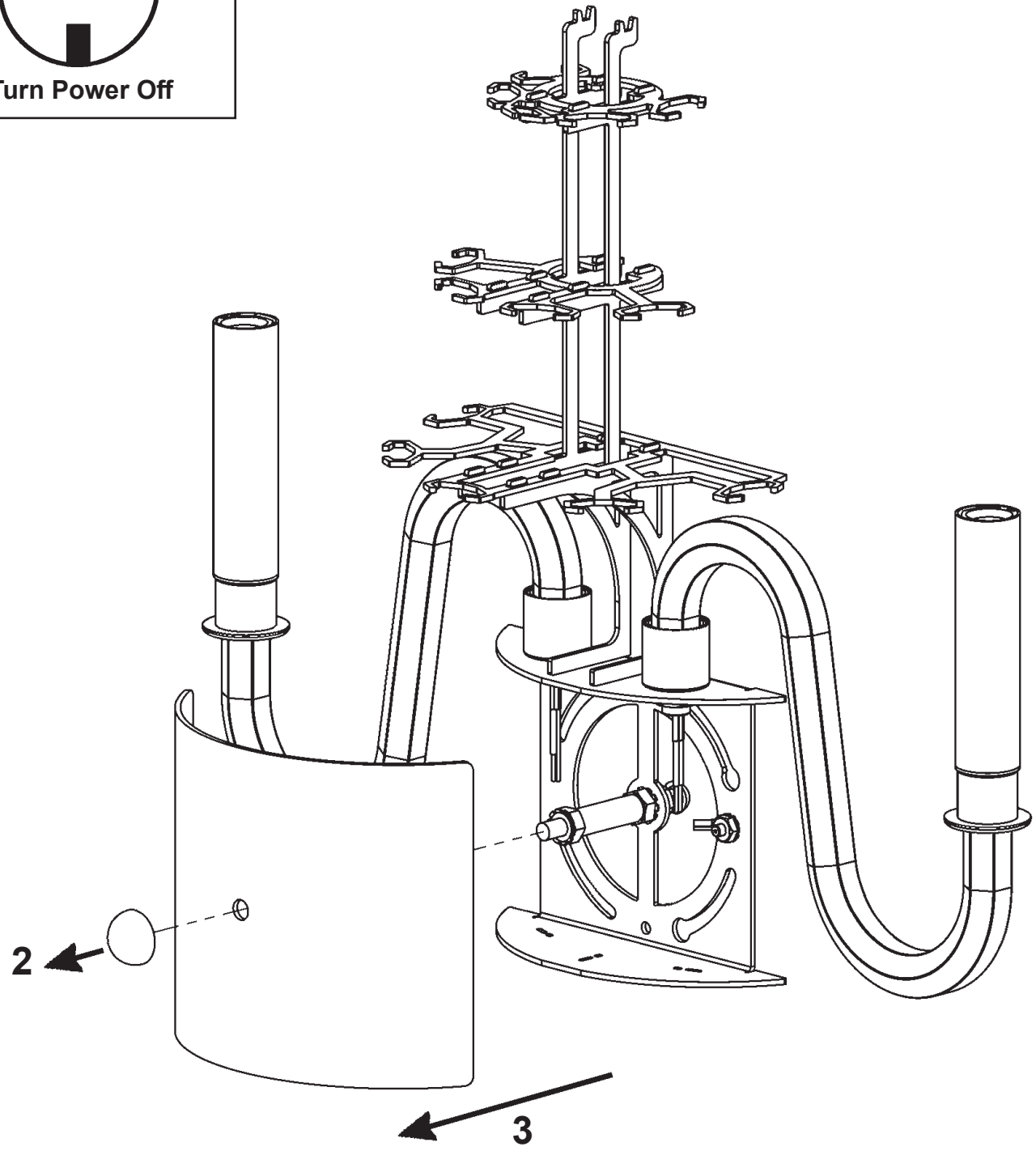


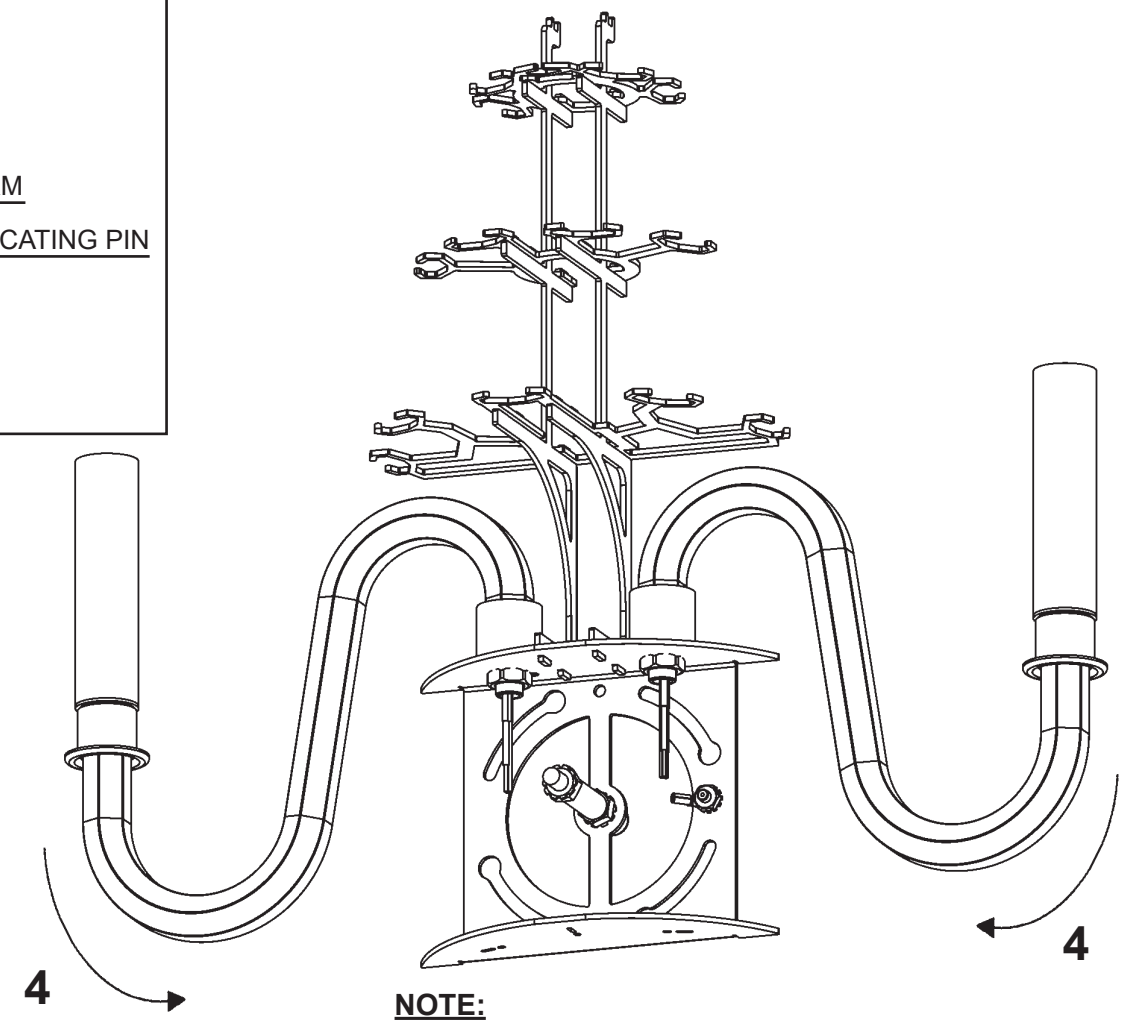
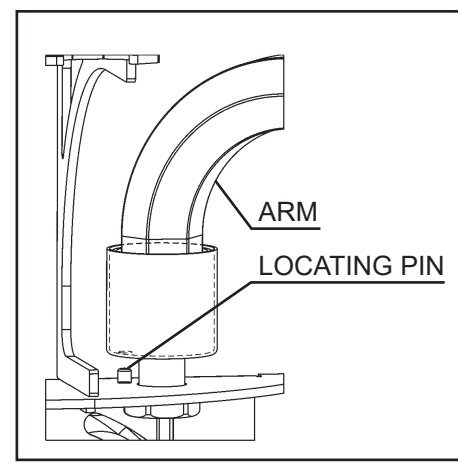
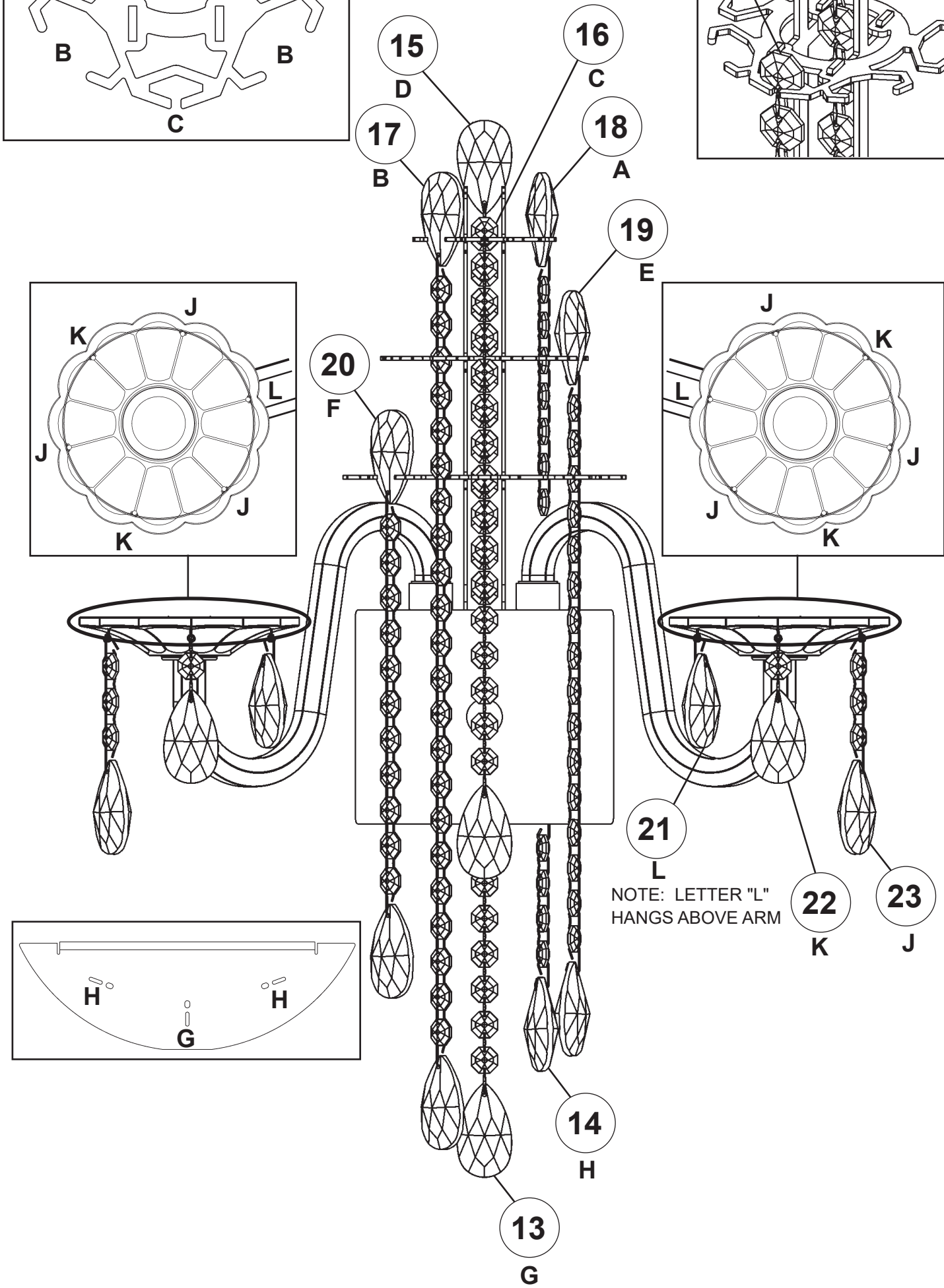
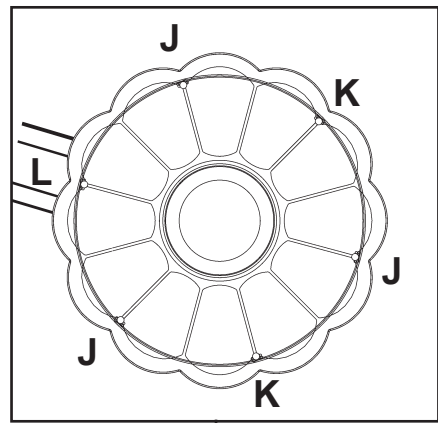
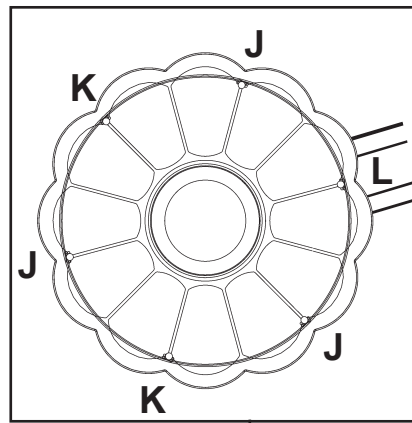
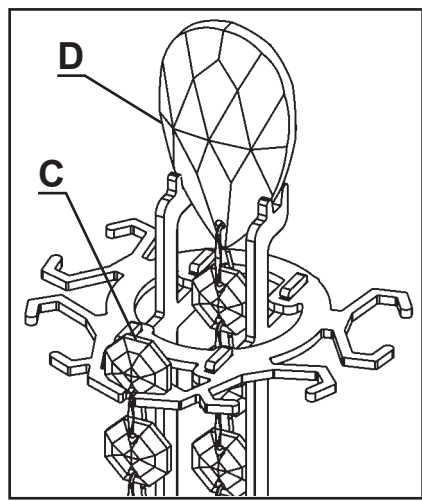
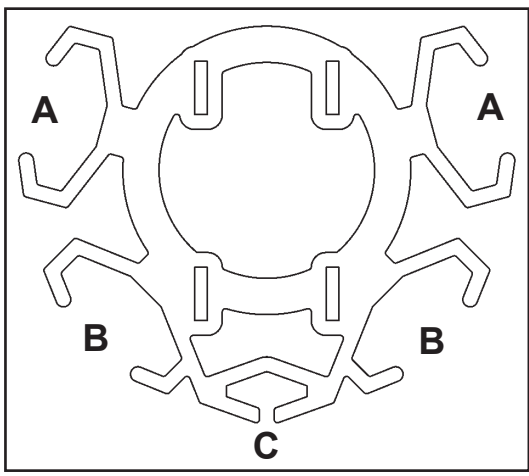
Electrical Danger



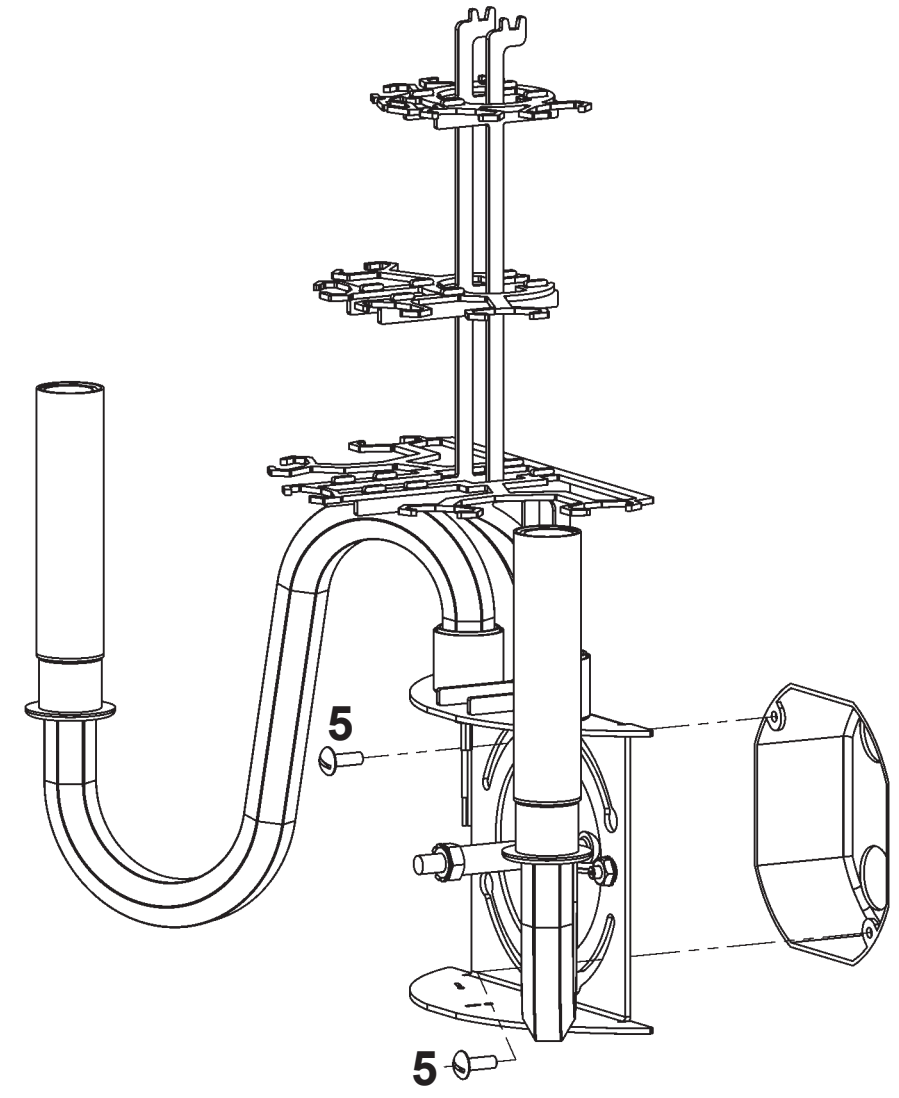
Turn Power Off

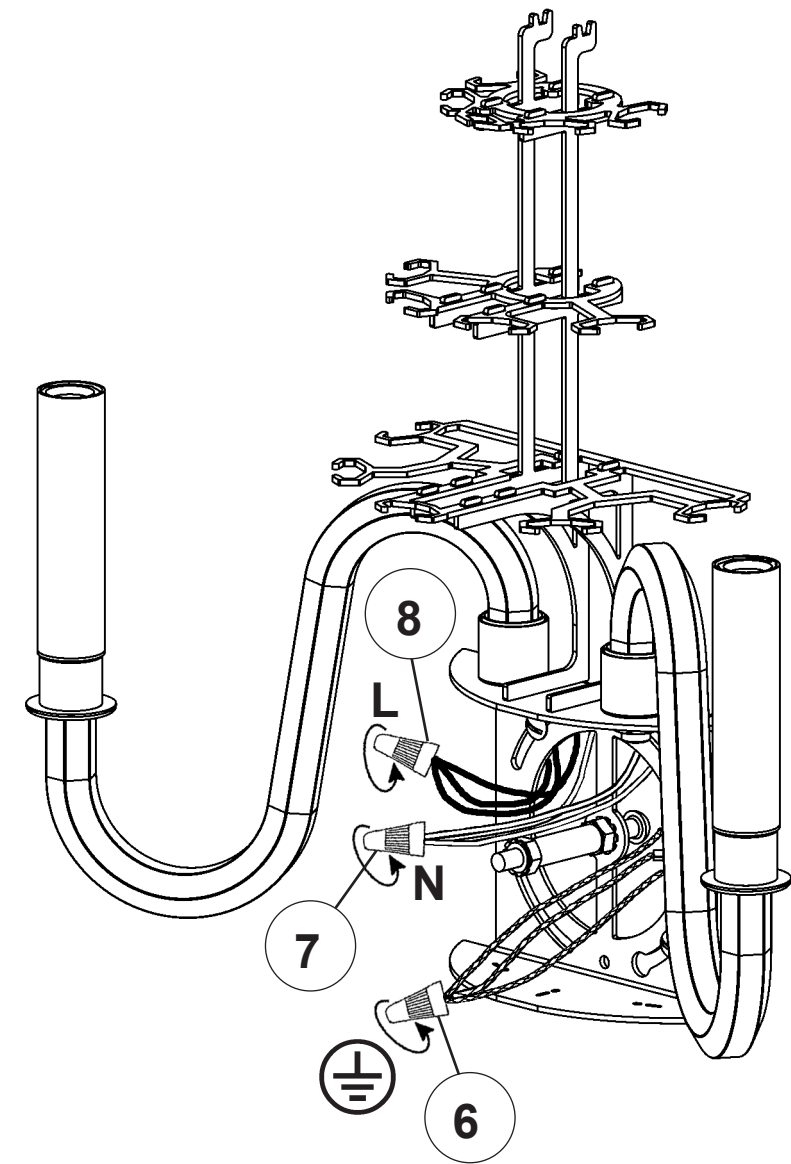
All electrical components must be installed by a licensed electrician in accordance with the National Electric Code and the appropriate local electrical codes.





NOTE:
ROTATE ARMS UNTIL LOCATING PIN IS IN PLACE. TIGHTEN NUTS TO SECURE ARMS.





You will need 2 - B10
25 Watts Recommended
60 Watts Max

**Install bulbs and be sure
to test fixture BEFORE
trimming.**

IMPORTANT NOTE:
MAKE SURE ALL WIRE
CONNECTIONS ARE
INSIDE OUTLET BOX
BEFORE CLOSING
COVER.

