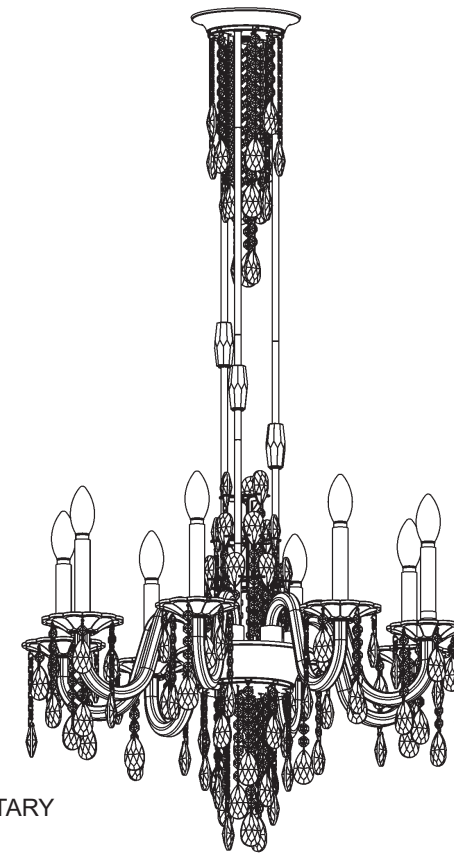


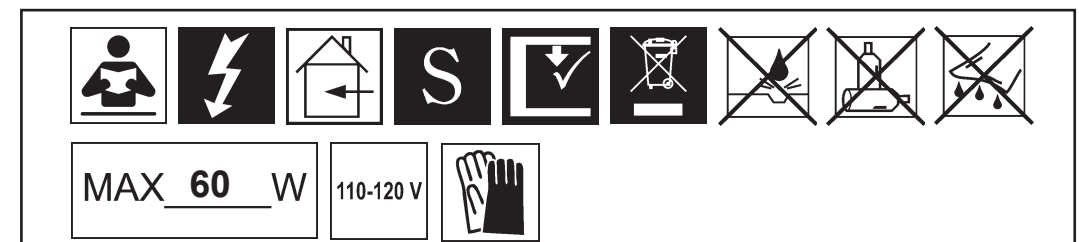
SCHONBEK  
*Signature*<sup>™</sup>

**RAINIER**  
**S93508-\_\_ \_\_R**

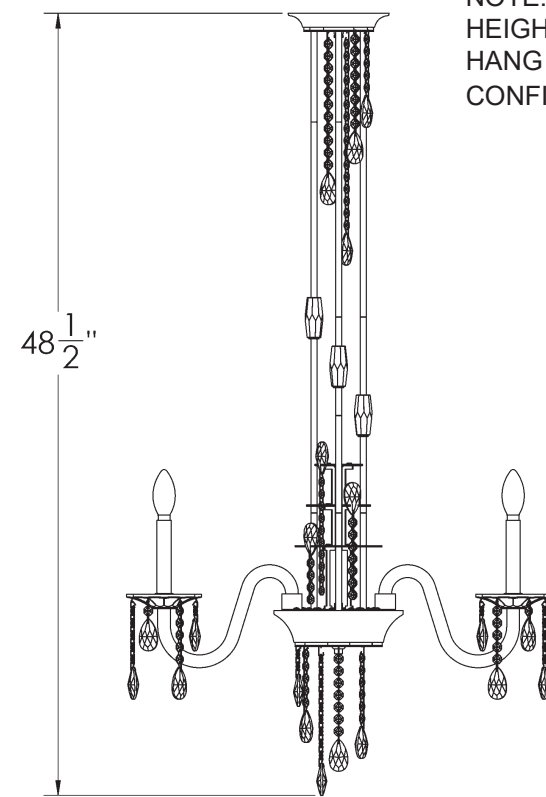


**T**HIS DESIGN IS THE PROPRIETARY  
TRADE DRESS/TRADEMARK OF  
W SCHONBEK LLC.

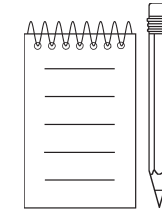
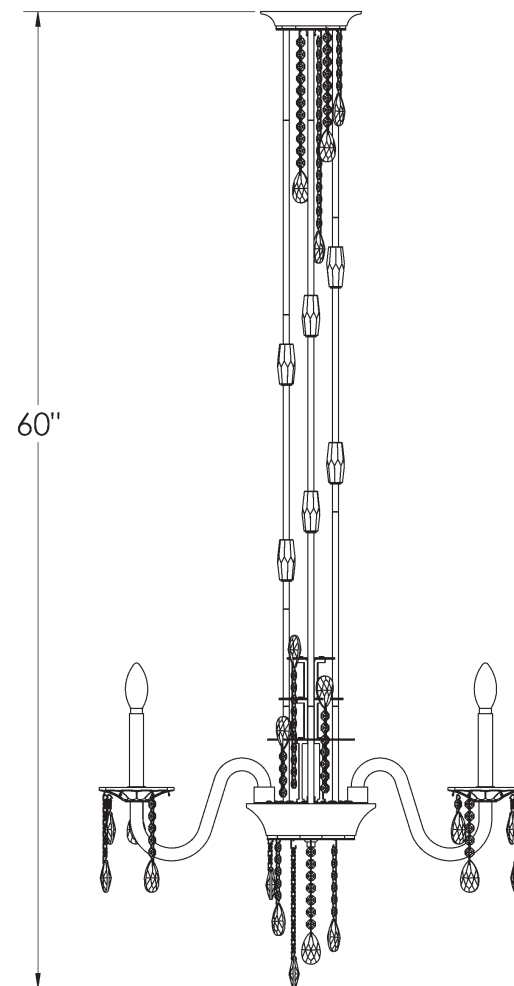
SCHONBEK  
*Signature*<sup>™</sup>

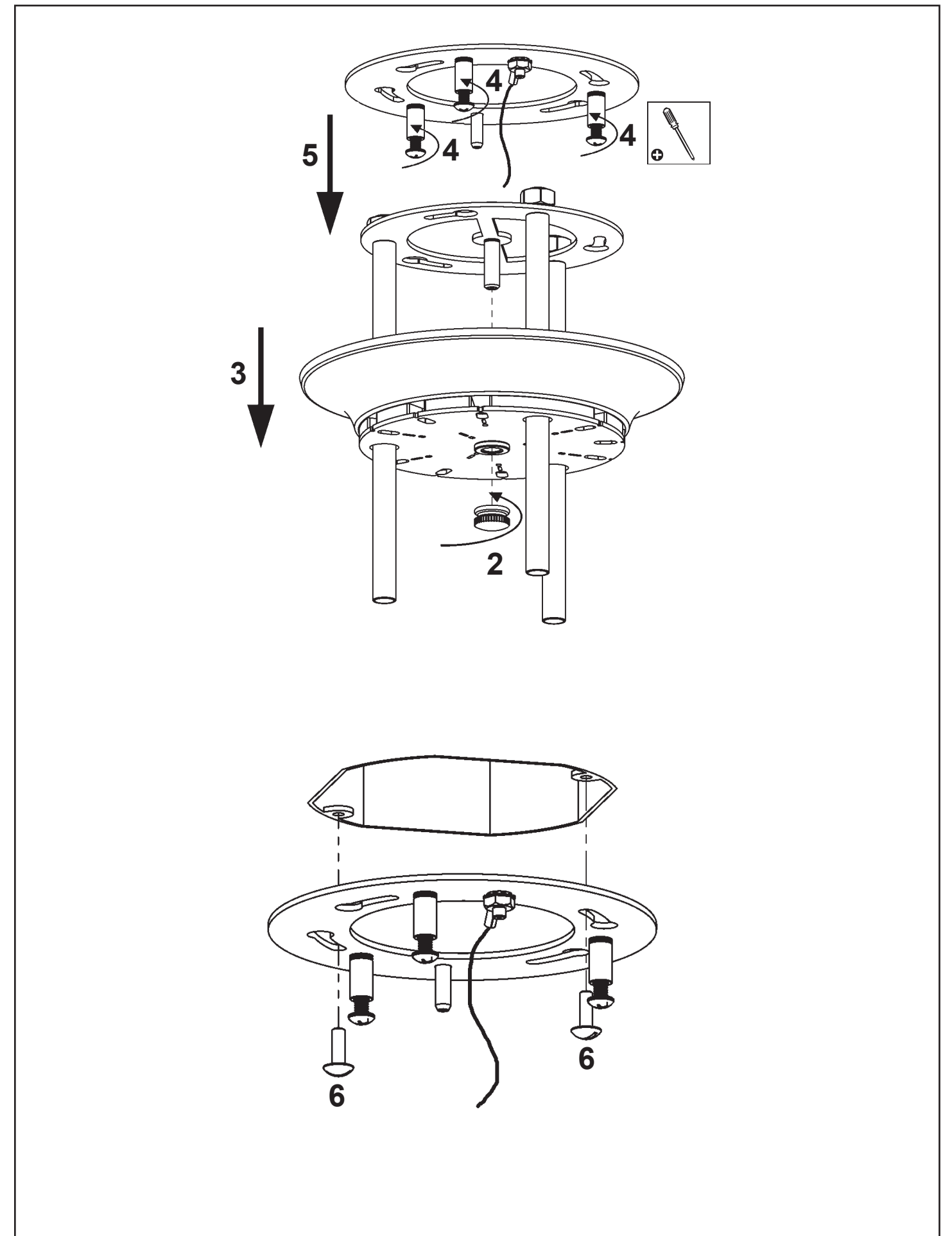
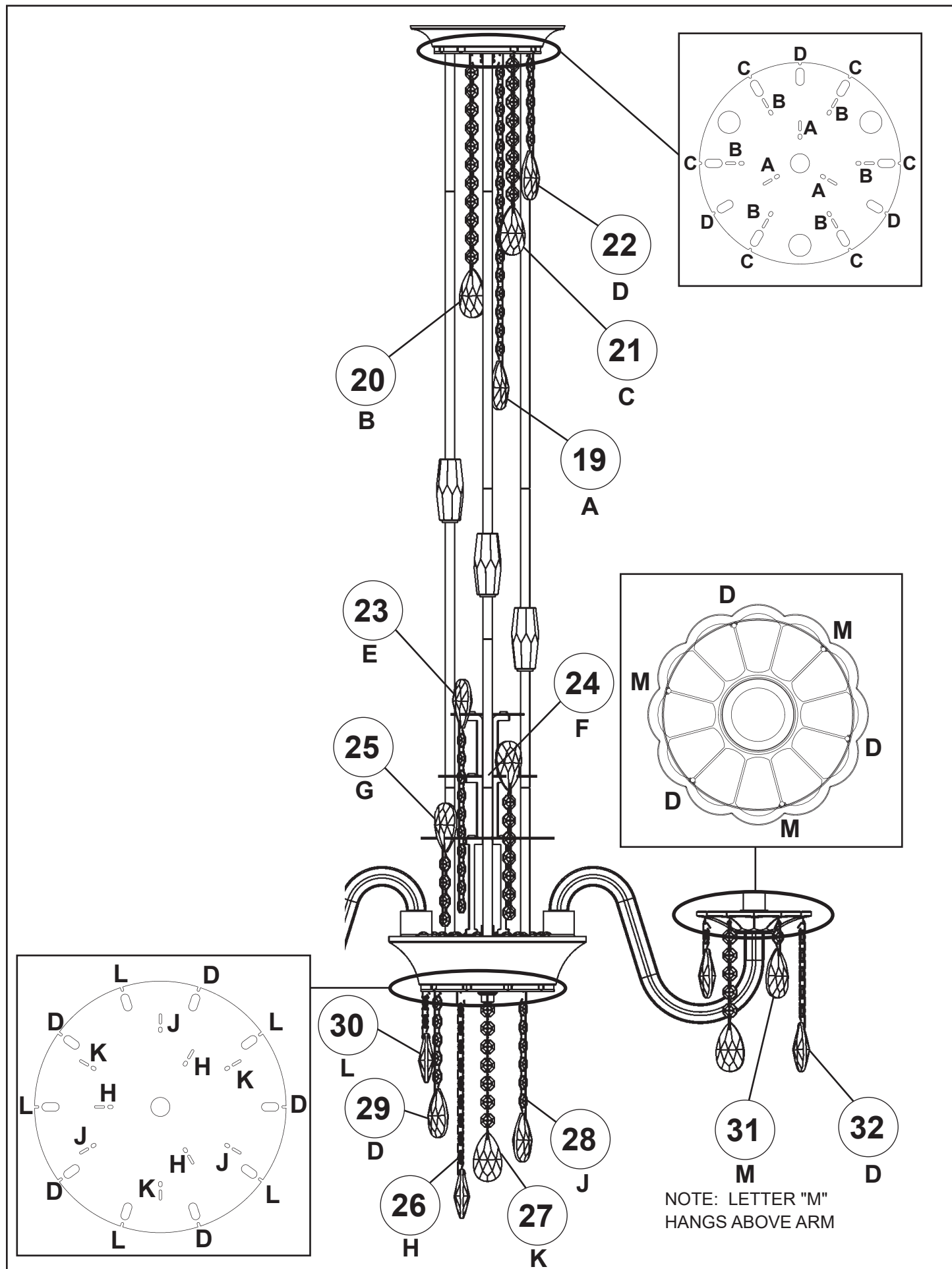


**1** SELECT DESIRED  
FIXTURE HEIGHT

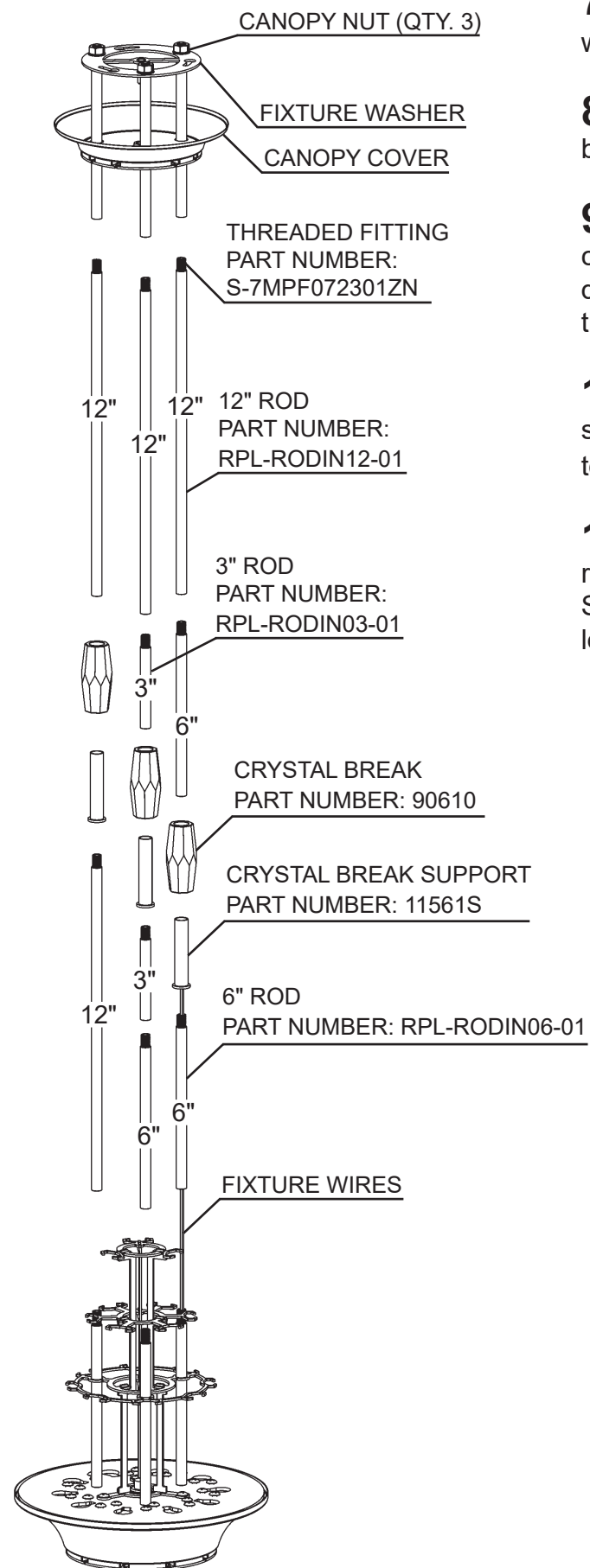


NOTE: SHOWN HERE ARE SUGGESTED  
HEIGHT CONFIGURATIONS. CUSTOMIZE  
HANG HEIGHT AND ROD  
CONFIGURATION AS DESIRED.





## 48-1/2" INSTALLATION OPTION



**7** Loosen canopy nuts (QTY. 3) on fixture washer before installing rods.

**8** Feed fixture wires through rods and crystal break in one location.

**9** Install rods, crystal break supports, and crystal breaks in the locations shown in the diagram. Tighten each rod connection thoroughly.

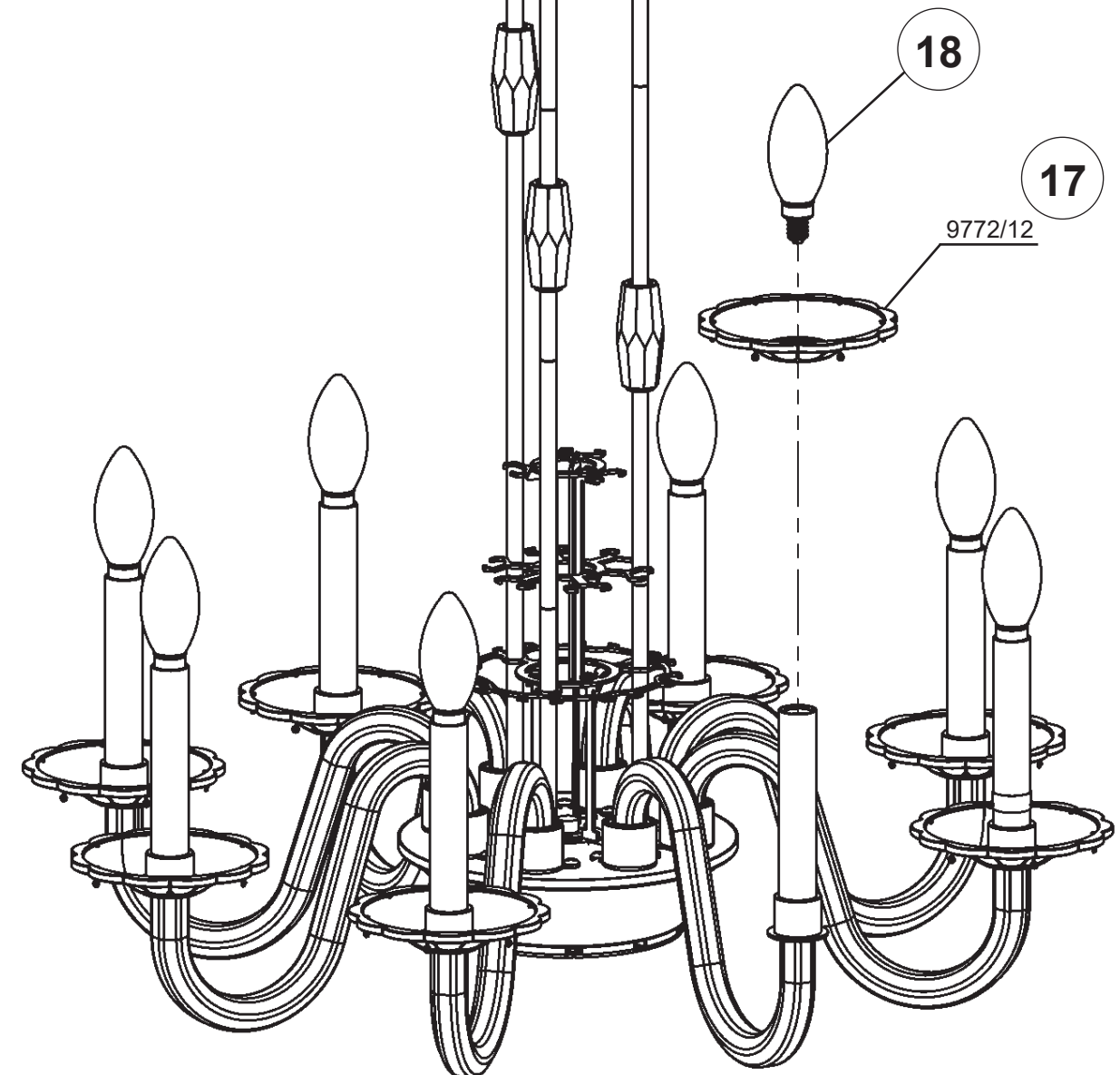
**10** Once the last pipe configuration is installed, slide canopy cover over rods and allow to rest on top of crystal break temporarily.

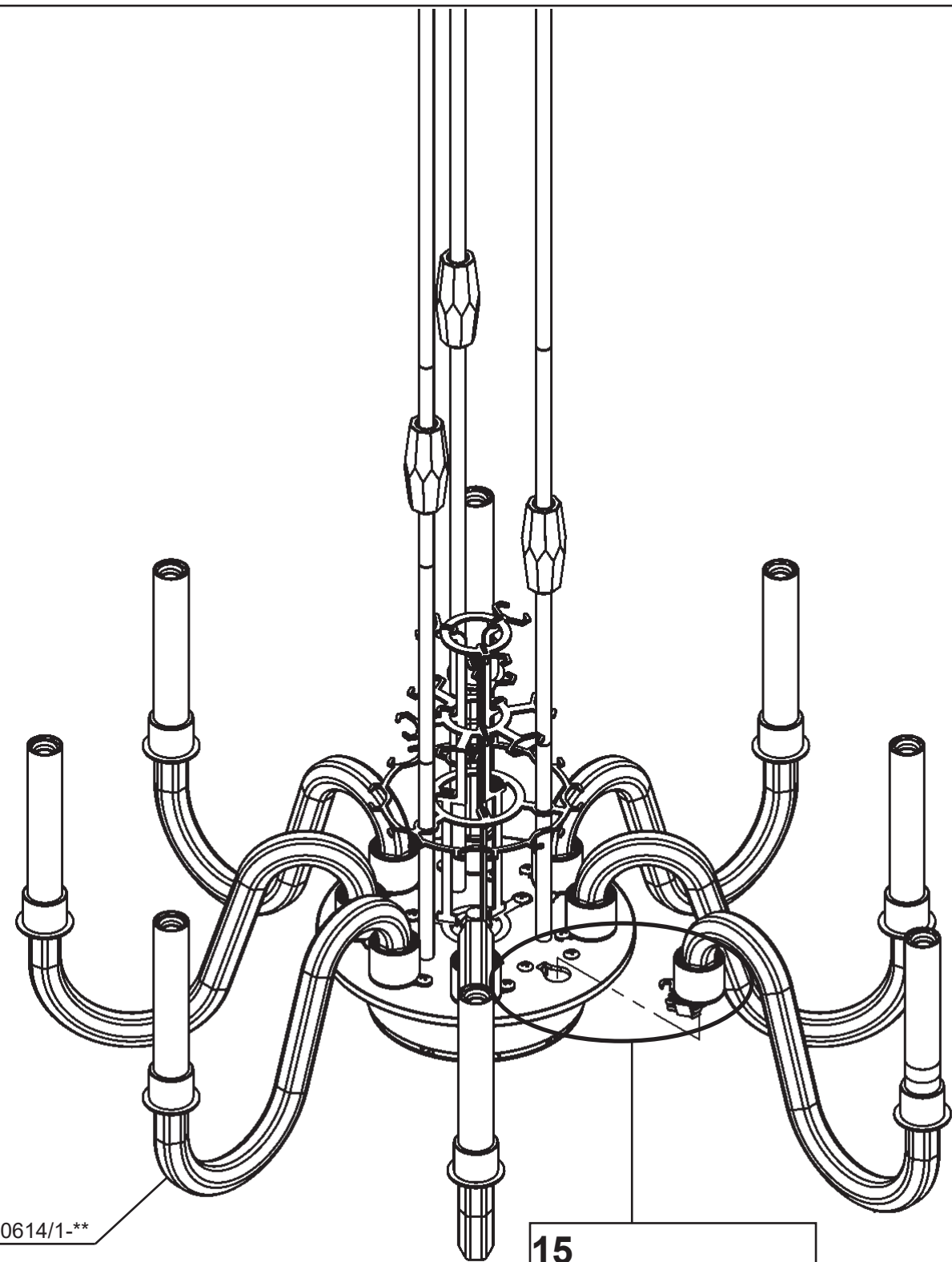
**11** Attach the fixture washer assembly to the rods installed on fixture. Tighten rods securely. Securely tighten the (3) canopy nuts, previously loosened.



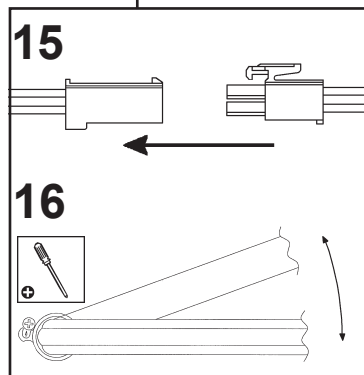
You will need 8 - B10  
25 Watts Recommended  
60 Watts Max

**Install bulbs and test power  
before hanging trim from  
fixture!**

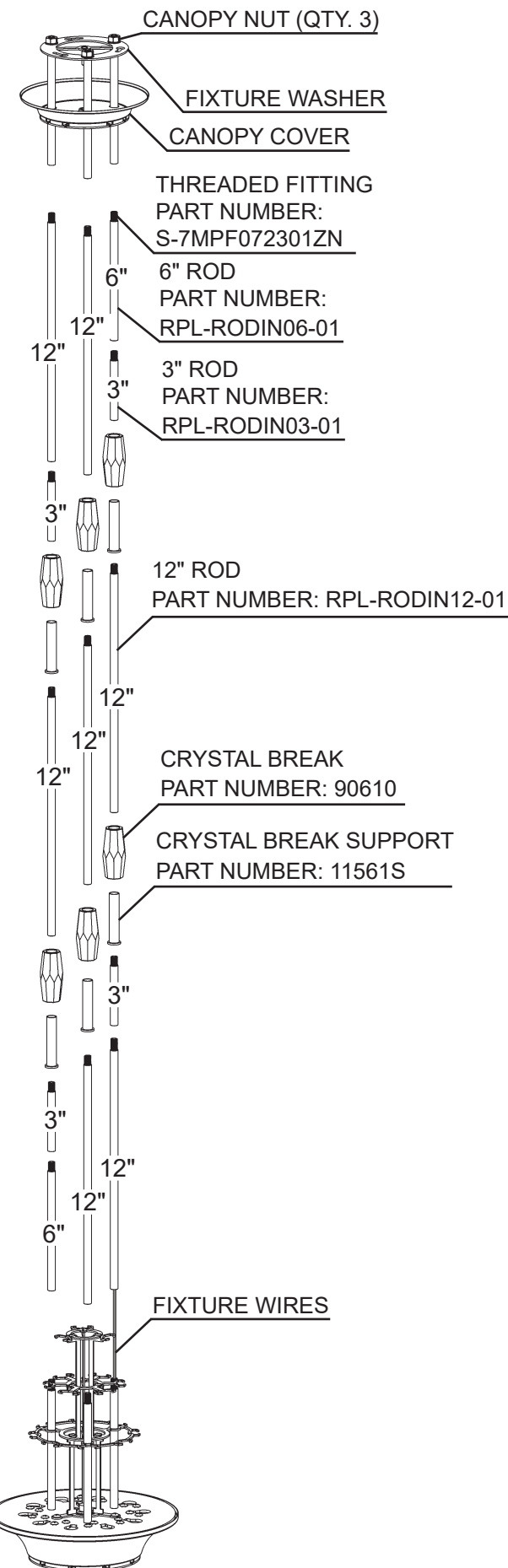




90614/1-\*\*



### 60" INSTALLATION OPTION



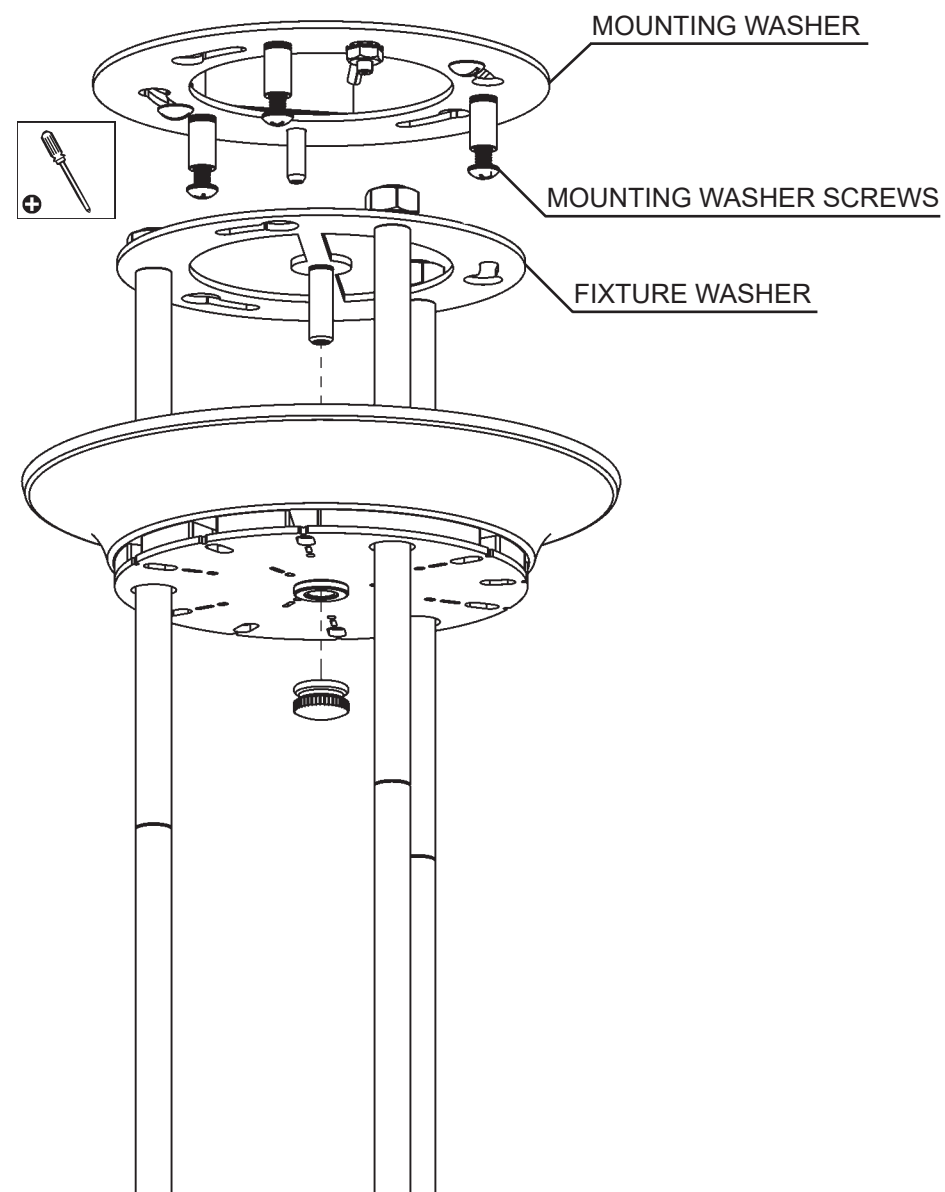
**7** Loosen canopy nuts (QTY. 3) on fixture washer before installing rods.

**8** Feed fixture wires through rods and crystal break in one location.

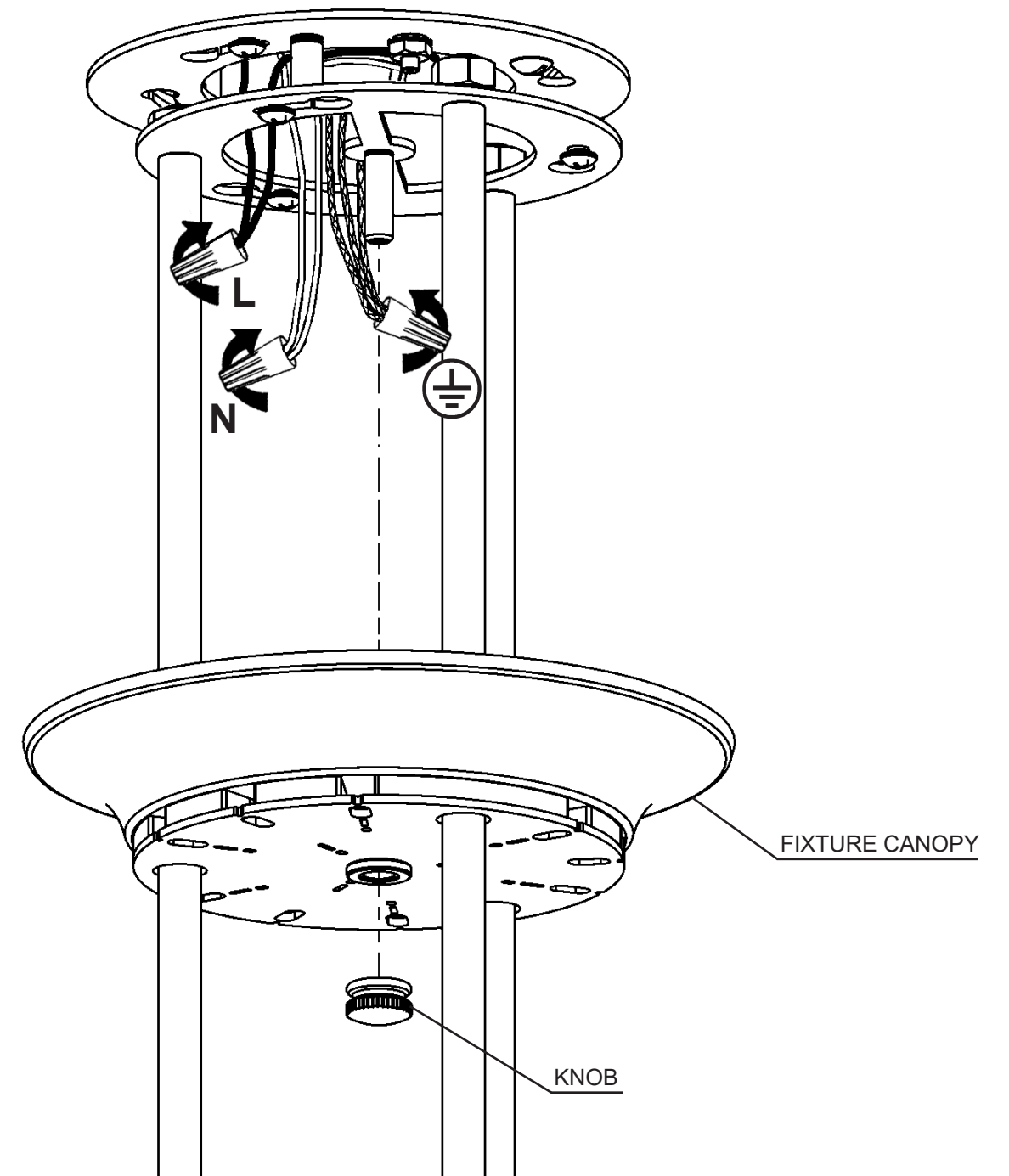
**9** Install rods, crystal break supports, and crystal breaks in the locations shown in the diagram. Tighten each rod connection thoroughly.

**10** Once the last pipe configuration is installed, slide canopy cover over rods and allow to rest on top of crystal break temporarily.

**11** Attach the fixture washer assembly to the rods installed on fixture. Tighten rods securely. Securely tighten the (3) canopy nuts, previously loosened.



**12** Raise fixture to ceiling. Slide, larger openings, in fixture washer, over screws on mounting washer. Rotate fixture washer until the screws are located in the smaller portion of the slots on fixture washer. **Securely tighten screws on mounting washer!**



**13** Connect wires. (⊕) → ⊕, L → L and N → N) See diagram above.

**14** Raise fixture cover and secure in place with knob.