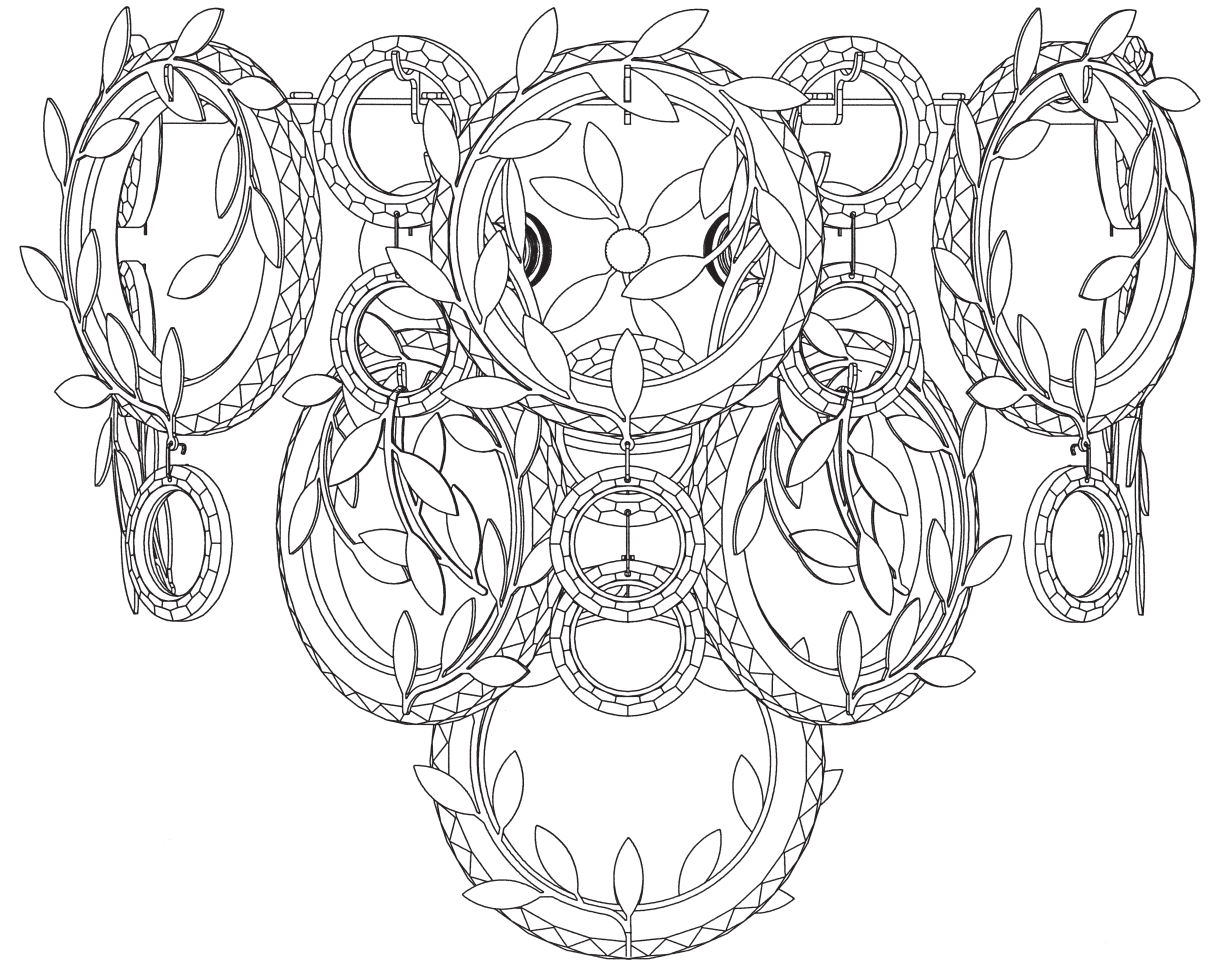


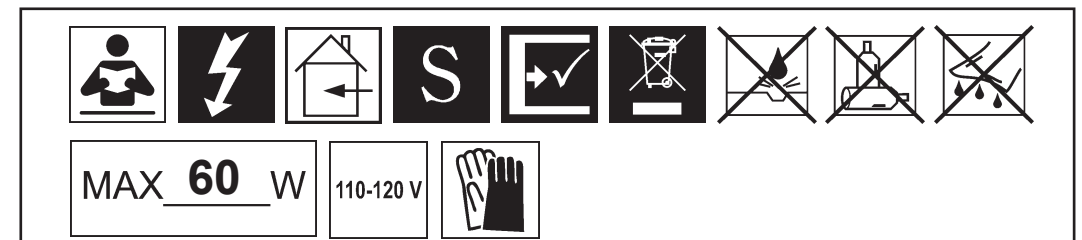
CONCETTA
S24515- __ __ R



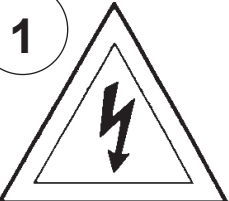
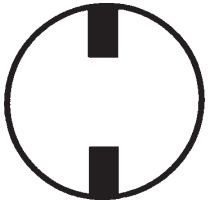
SCHONBEK
Signature[™]

THIS DESIGN IS THE PROPRIETARY
TRADE DRESS/TRADemark OF
W SCHONBEK LLC.

SCHONBEK
Signature[™]

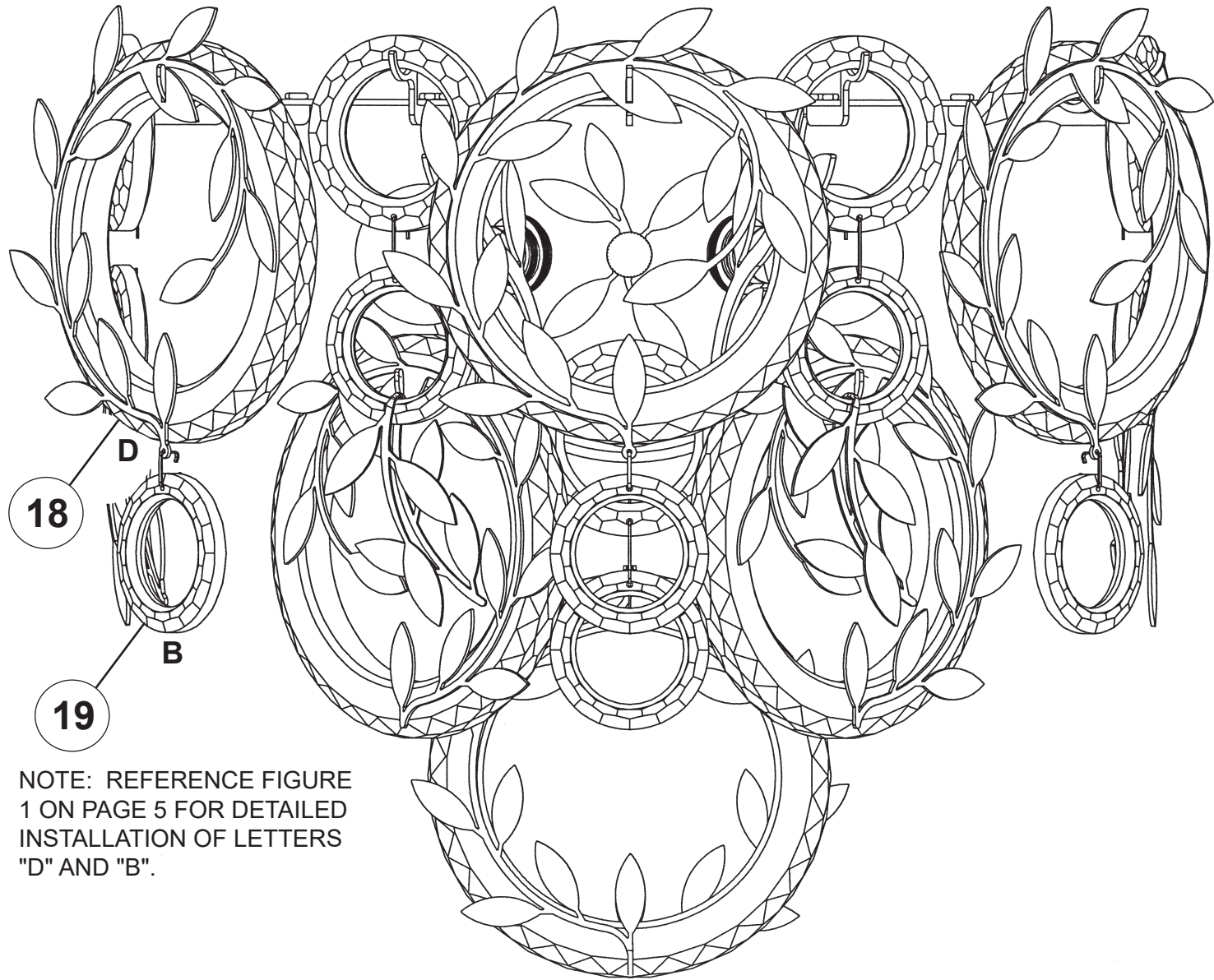
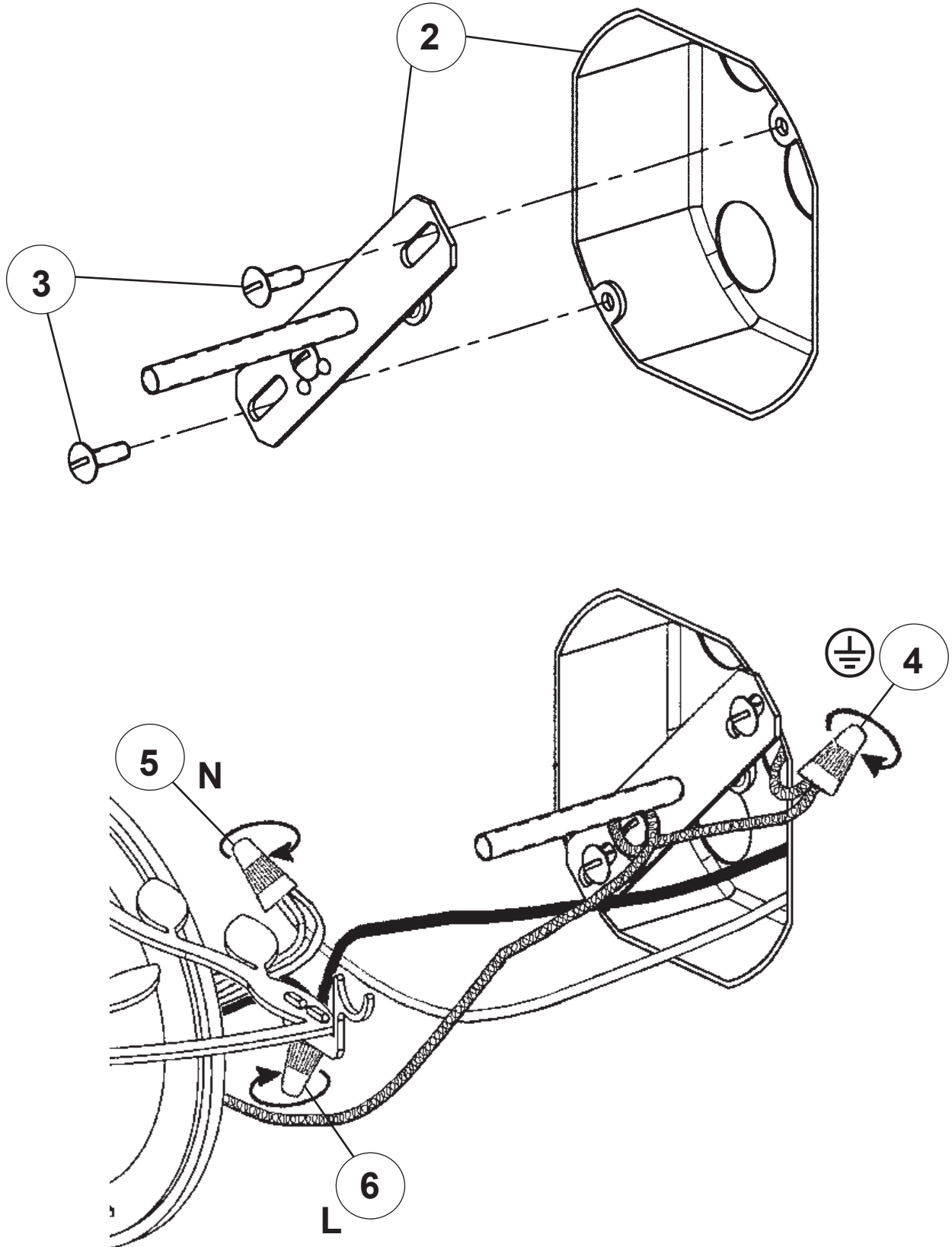


WARNING:

1  

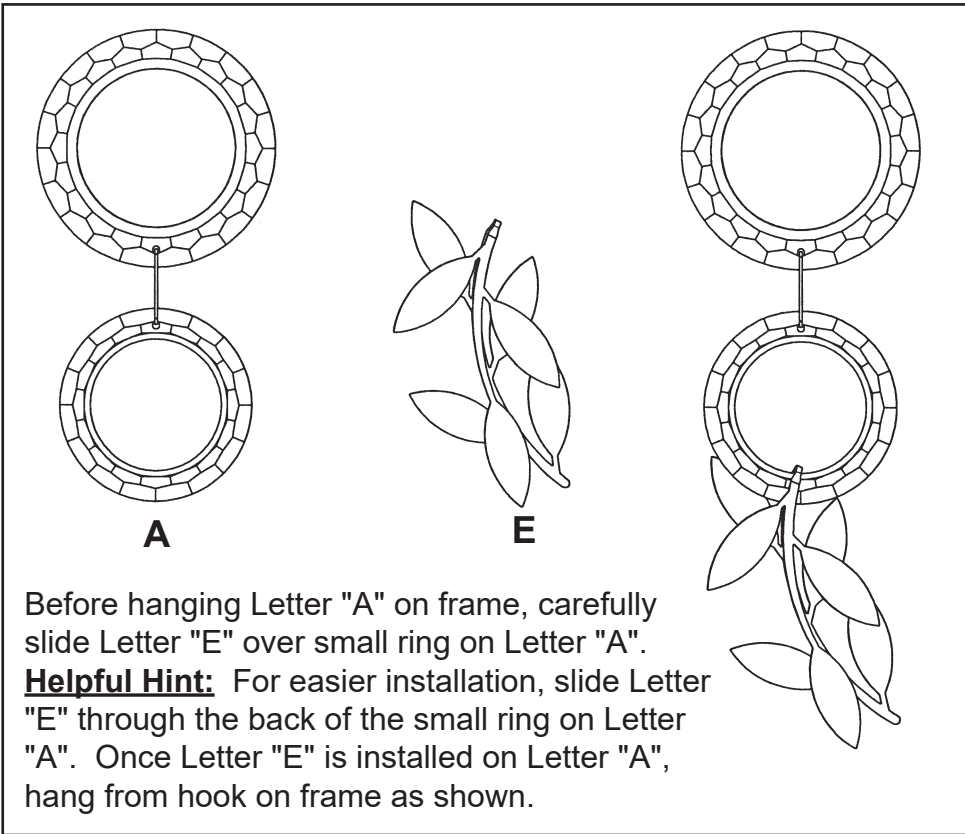
Electrical Danger Turn Power Off

All electrical components must be installed by a licensed electrician in accordance with the National Electric Code and the appropriate local electrical codes.

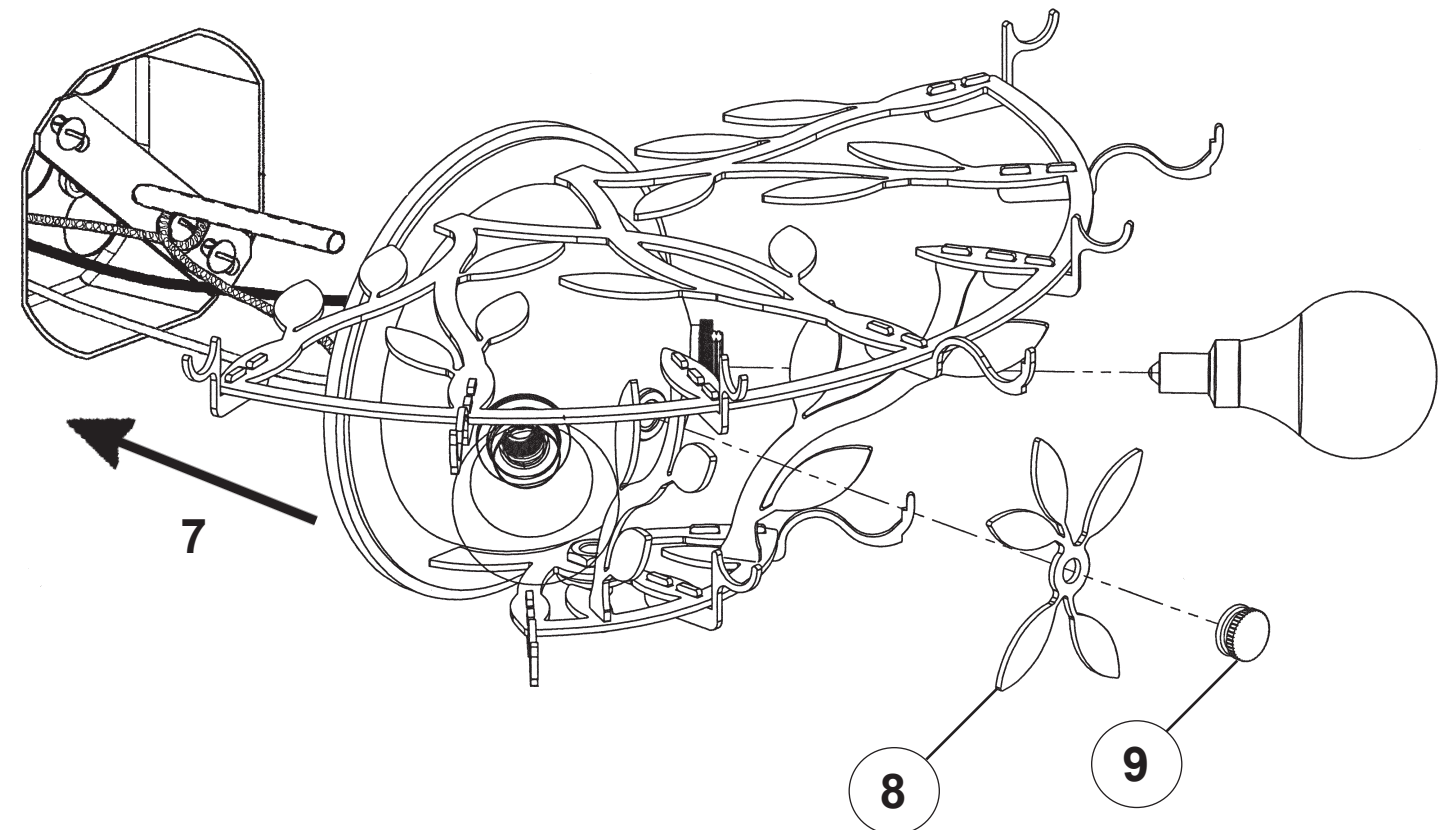
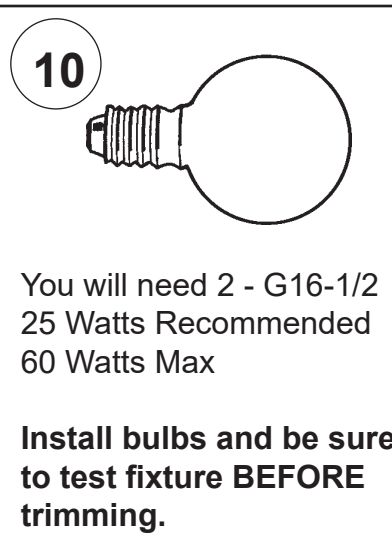
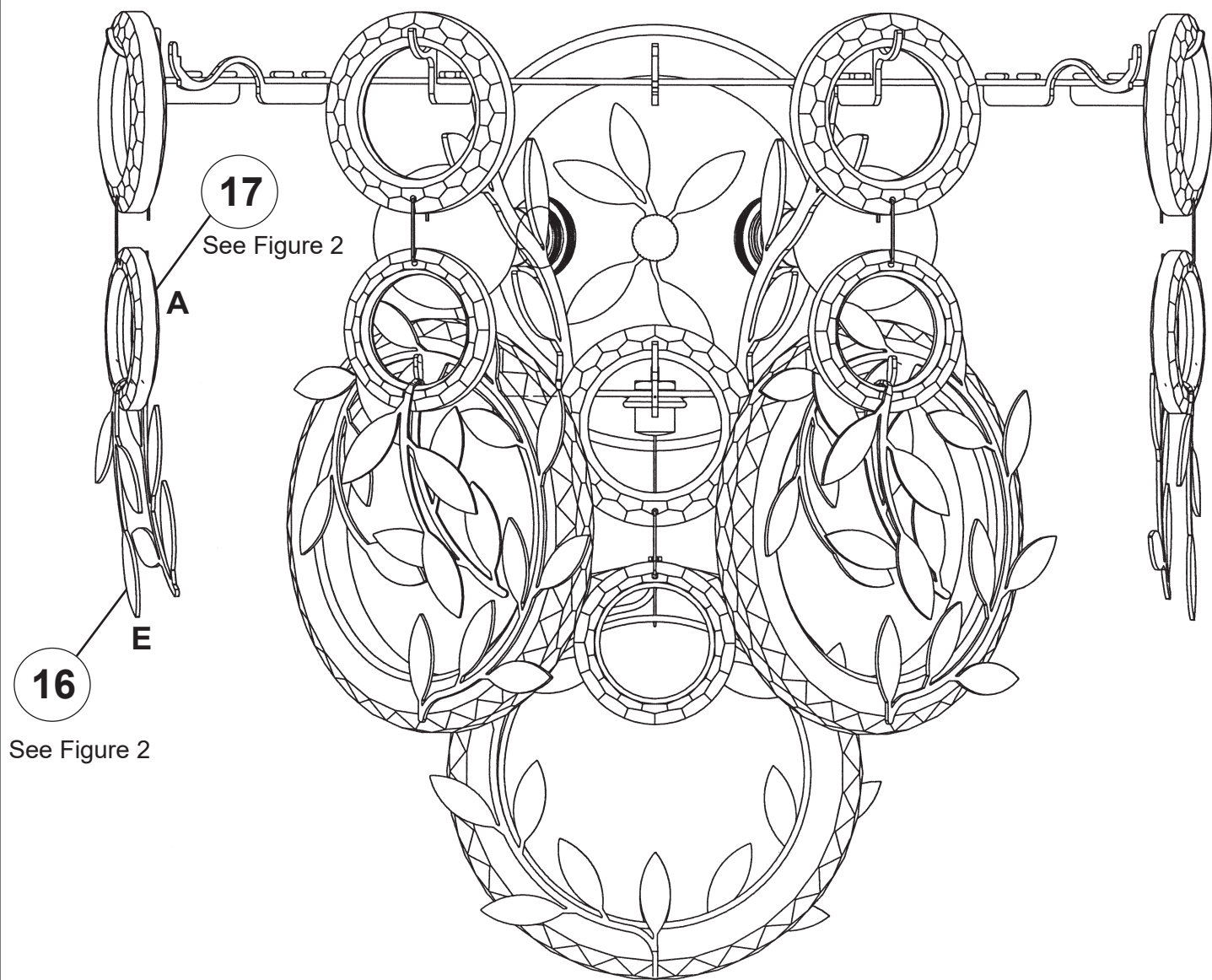


NOTE: REFERENCE FIGURE 1 ON PAGE 5 FOR DETAILED INSTALLATION OF LETTERS "D" AND "B".

FIGURE 2



Before hanging Letter "A" on frame, carefully slide Letter "E" over small ring on Letter "A".
Helpful Hint: For easier installation, slide Letter "E" through the back of the small ring on Letter "A". Once Letter "E" is installed on Letter "A", hang from hook on frame as shown.



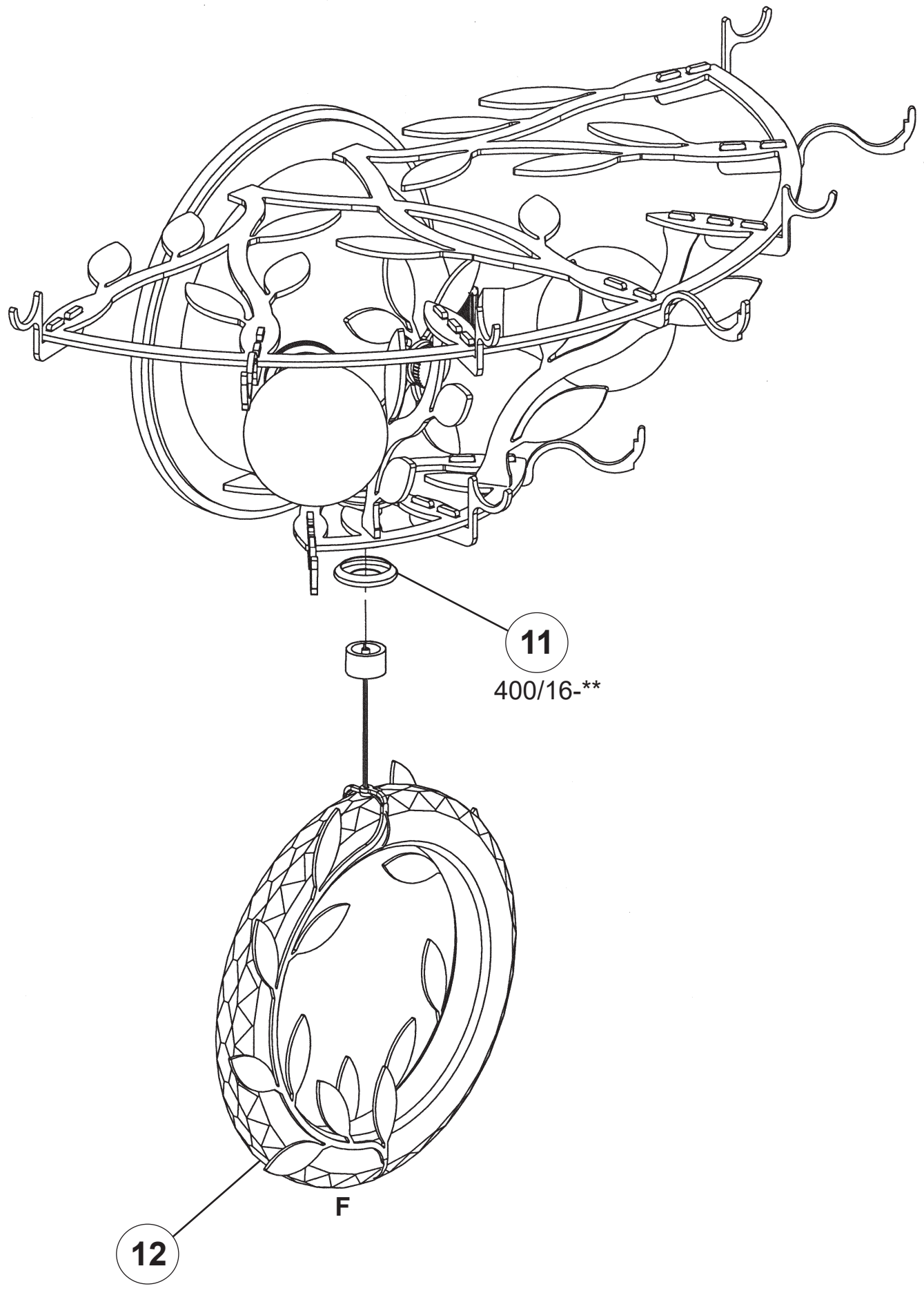


FIGURE 1

