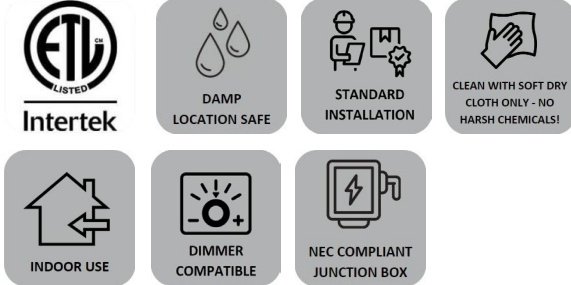


# BRANDER MEDIUM VANITY

DJV1051

## General Product Information



## Safety Information

**SAVE THESE INSTRUCTIONS!**

### CAUTION-RISK OF FIRE

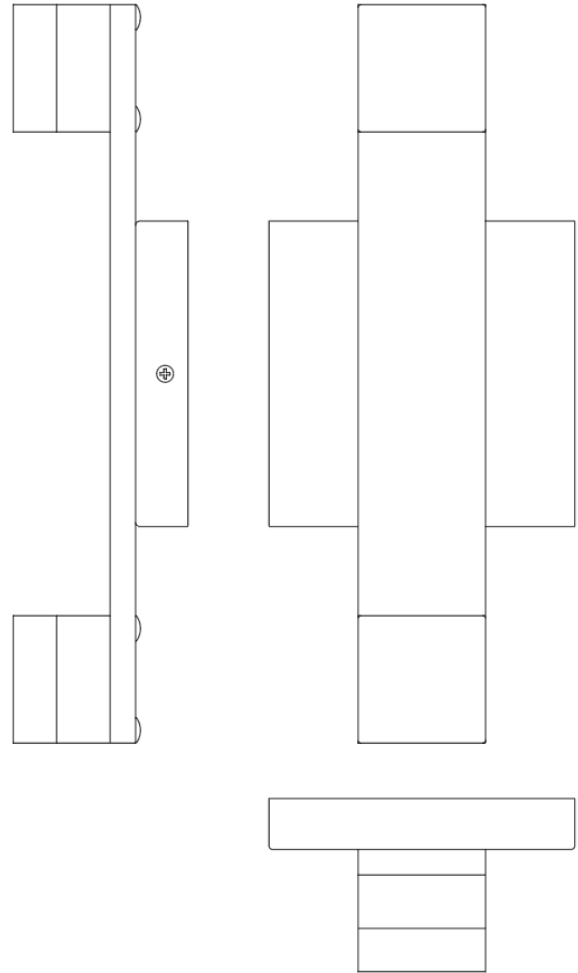
This product must be installed in accordance with the applicable installation code by a person familiar with the construction and operation of the product and the hazards involved.

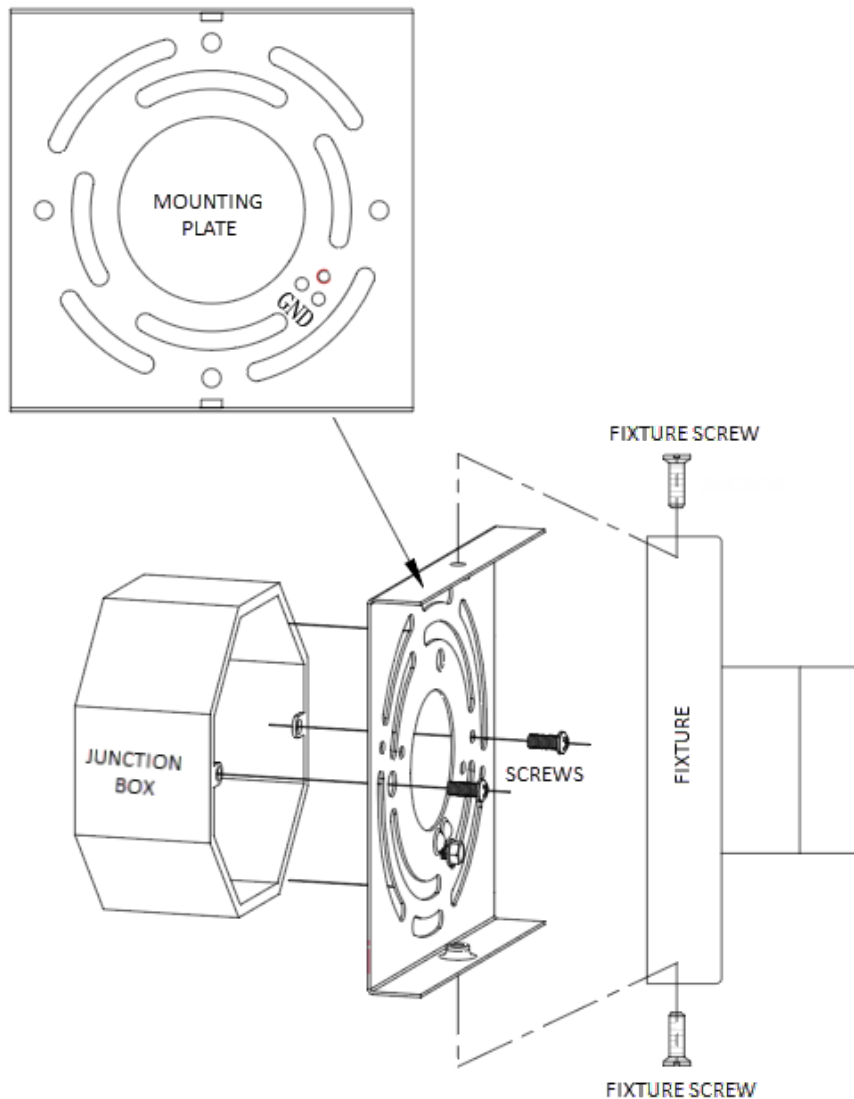
**USE MINIMUM 90°C SUPPLY CONDUCTORS.**



**Turn off electrical current at the source before working with any lighting fixture or portable lamp.**

**Install and use this product in adherence with local electrical codes and regulations.**





## I INSTRUCTIONS

### I. Preparing for Installation

1. Secure the mounting plate to the junction box.

### II. Wiring the Fixture

1. Connect the fixture to a suitable ground in accordance with local electrical codes.
2. Connect the following wires and secure with a wire nut:
  - a) White input driver wire to the neutral power line.
  - b) Black fixture wire to the hot power line wire.
3. Tuck all wires into the junction box.

### III. Installing the Fixture

1. Place the fixture onto the mounting plate and secure it in place using the fixture screws.