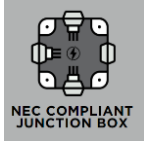
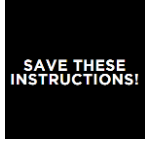


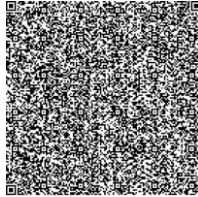
CHEVERNY LARGE CHANDELIER

LXC11210

General Product Information



WARRANTY



FCC STATEMENT

Tools Required



Safety Information

CAUTION-RISK OF FIRE

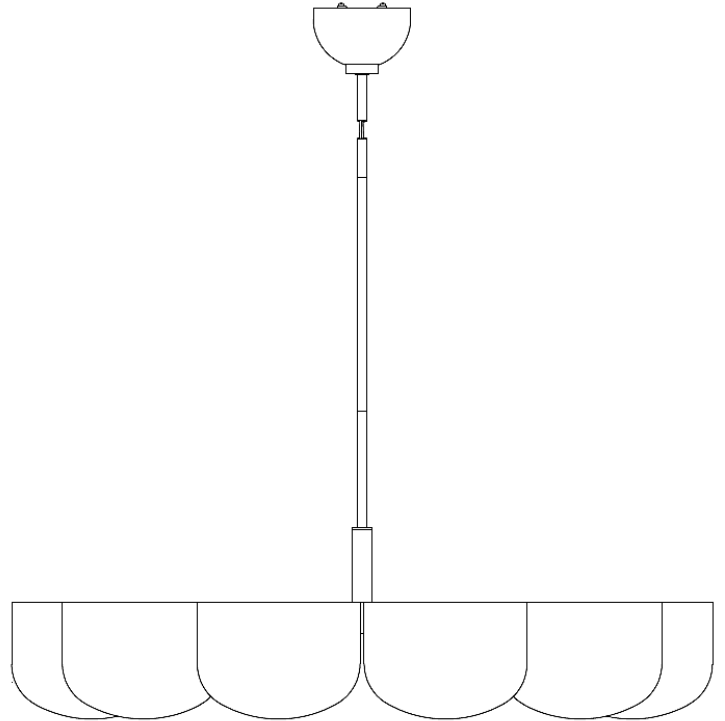
This product must be installed in accordance with the applicable installation code by a person familiar with the construction and operation of the product and the hazards involved.

USE MINIMUM 90°C SUPPLY CONDUCTORS.



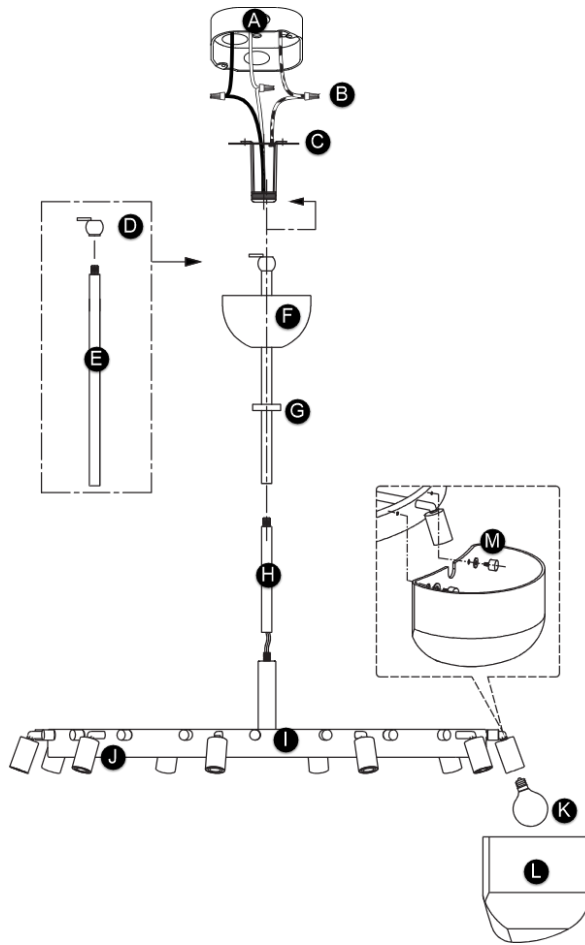
Turn off electrical current at the source before working with any lighting fixture or portable lamp.

Install and use this product in adherence with local electrical codes and regulations.



FIXTURE ANATOMY

- A. Junction Box
- B. Wires and Wire Nuts
- C. Mounting Plate
- D. Half Ball
- E. Top Stem
- F. Canopy
- G. Collar Nut
- H. Fixture Stem
- I. Fixture Assembly
- J. Socket
- K. Bulb (Not Included)
- L. Shade
- M. Cap Screws



INSTRUCTIONS

I. Preparing for Installation

1. Feed the fixture and ground wires through the collar nut and canopy and place them over the fixture.
2. Screw the half ball to the top stem.
3. Determine the desired height of the fixture and assemble the stems accordingly by screwing them together (don't include half ball/stem assembly).
4. Feed the fixture and ground wires through the stem assembly and screw the stem assembly to the fixture.
5. Next, feed the fixture and ground wires through the half ball assembly and screw the half ball assembly onto the stem assembly.
6. Install and secure the mounting plate to the junction box.
7. Slide the half ball assembly onto the mounting plate.

II. Wiring the Fixture

1. Safety first! Locate the circuit breaker and switch it off to cut off the power supply to the relevant circuits to ensure there's no electricity running through the wiring.
2. In accordance with local electrical codes, connect the fixture ground wire (bare copper or silver wire) to suitable ground. This may be a green ground screw on the mounting plate or a house wire (green or bare copper wire without insulation).
3. Twist the bare ends of the following pairs of wires together using a wire nut to secure a connection:
 - a) Hot fixture wire (smooth & round) and hot power line wire from the junction box (hot to hot)
 - b) Neutral fixture wire (square & rigid) and neutral power line wire from the junction box (neutral to neutral)
4. Carefully tuck all the wires into the junction box.

III. Installing the Fixture

1. Install the canopy to the junction box and secure with the collar nut onto the mounting plate
2. Insert lightbulbs into the sockets, referring to the label on the socket for Max wattage information.
3. Place the shades onto the sockets and secure it using the cap screws and rubber washers.