

LEONARD CHANDELIER

LC1211, LC1221, LC1231

General Product Information:

 <p>STANDARD INSTALLATION</p>	 <p>INDOOR USE</p>	 <p>RISK OF FIRE</p>
 <p>DIMMER COMPATIBLE</p>	 <p>DAMP LOCATION SAFE</p>	 <p>NEC COMPLIANT JUNCTION BOX</p>
 <p>WARNING RISK OF ELECTRICAL SHOCK</p>	 <p>CLEAN WITH SOFT DRY CLOTH ONLY - NO HARSH CHEMICALS!</p>	 <p>Intertek</p>

Safety Information:

CAUTION—RISK OF FIRE

This product must be installed in accordance with the applicable installation code by a person familiar with the construction and operation of the product and the hazards involved.

USE MINIMUM 90°C SUPPLY CONDUCTORS.

SAVE THESE INSTRUCTIONS!

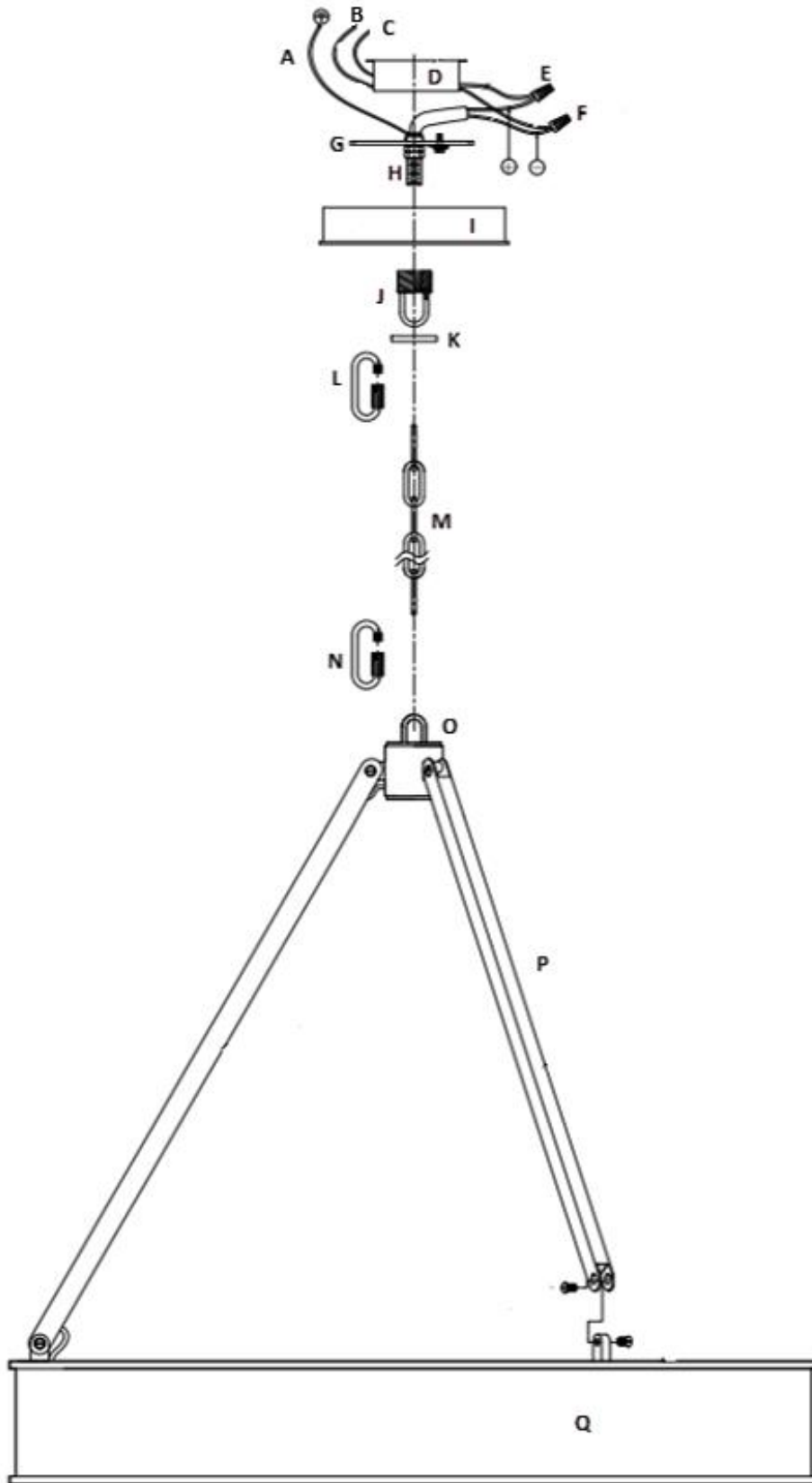


Turn off electrical current at the source before working with any lighting fixture or portable lamp.

Install and use this product in adherence with local electrical codes and regulations.



FIXTURE ANATOMY



- A. Ground Wire
- B. Hot Wire
- C. Neutral Wire
- D. Driver
- E. Positive Fixture Wire
- F. Negative Fixture Wire
- G. Mounting Plate
- H. Threaded Nipple
- I. Canopy
- J. Collar Loop
- K. Collar Nut
- L. Top Quick Link
- M. Chain
- N. Bottom Quick Link
- O. Fixture Loop
- P. Fixture Arms
- Q. Shade

INSTRUCTIONS

I. Preparing the Fixture

1. Separate the mounting plate from the canopy.
2. Connect the LED driver input wires to the supply power wires.
 - a) Safety first! Locate the circuit breaker and switch it off the power supply to the relevant circuits to ensure there's no electricity running through the wiring.
 - b) Input driver wire(white) to the neutral power line wire.
 - c) Input driver wire (black) to the hot power line wire.
3. Place the driver in the junction box, while ensuring that the driver output wires are accessible.
4. If necessary, screw the short end of the threaded nipple tightly onto the mounting plate and the collar loop onto the threaded nipple.
5. Secure the mounting plate to the junction box.
6. Install the arms onto the shade using the fixture screws.
7. Determine the wanted height of the fixture and remove a portion of the chain by opening a link with pliers.
8. Install the bottom end of chain onto the fixture loop using the lower quick link.
9. Unscrew the collar nut from the collar loop, install the collar nut and the canopy onto the chain (in that order).
10. Install the upper quick link onto the remain end of chain, then secure the quick link onto the collar loop.
11. Weave the cord through the chain, collar nut, canopy, collar loop and out of the junction box. Trim the cord leaving enough to make electrical connections.

II. Wiring the Fixture

1. In accordance with local electrical codes, connect the fixture ground wire (bare copper or silver wire) to suitable ground. This may be a green ground screw on the mounting plate or a house wire (green or bare copper wire without insulation).
2. Connect the following wires using a wire nut:
 - a) Positive fixture wire (round and smooth) to the positive output driver wire
 - b) Negative fixture wire (square and rigid) to the negative output driver wire
3. Neatly place the wires and wire nut connections inside the canopy.

III. Installing the Fixture

1. Place the canopy onto the ceiling and secure it in place by screwing the collar nut tightly onto the collar loop.