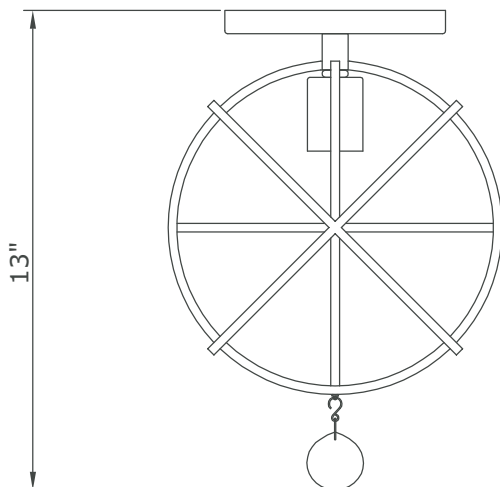
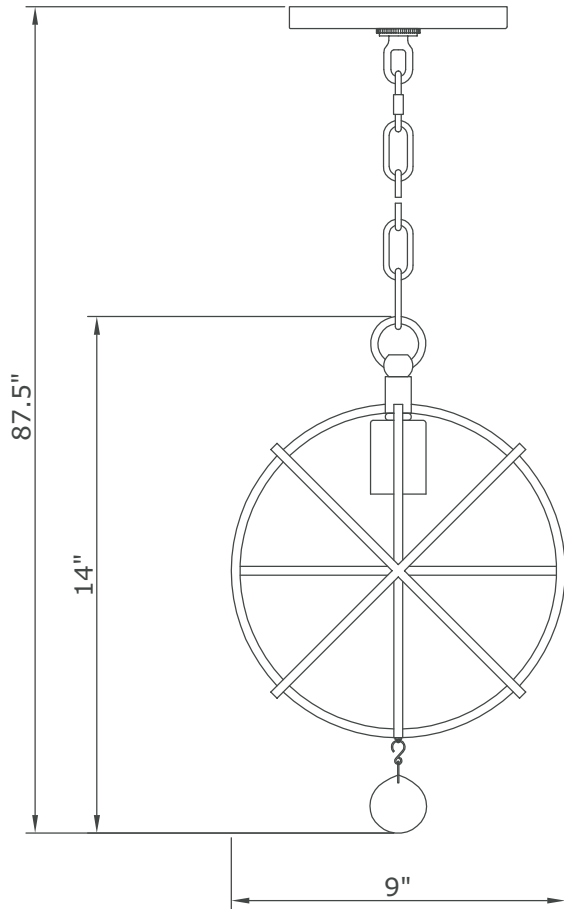




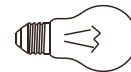
## ASSEMBLY INSTRUCTION MODEL # 9220-BK



Crystal Ball: 1x30MM



All electrical components must be installed by a licensed electrician in accordance with the National Electric Code and the appropriate local electrical codes.



You will need 1 -Medium Bulb  
60 Watts Recommended 100 Watts Max.  
USE LED BULBS FOR EXTENDED USE  
THIS FIXTURE IS DAMP RATED

### How to Install

#### For Hanging:

1. Do a complete inventory of all parts and components before you start installation.
2. Install bulbs (not included).
3. Install the mounting plate onto outlet box and secure it with the outlet box screws.
4. Open a quick link and attach one end of the chain with the fixture loop then close the quick link.
5. Thread the collar ring into the canopy.
6. Open another quick link and attach the other end of the chain (that doesn't have a quick link) with the collar loop then the link.
7. Connect fixture wires into the outlet box.
8. Raise the canopy onto the collar loop and secure it with the collar ring.
9. Attach the crystal ball "A" on the bottom of fixture.
10. After safely attaching fixture into outlet box, proceed to connecting the power.

#### For Ceiling:

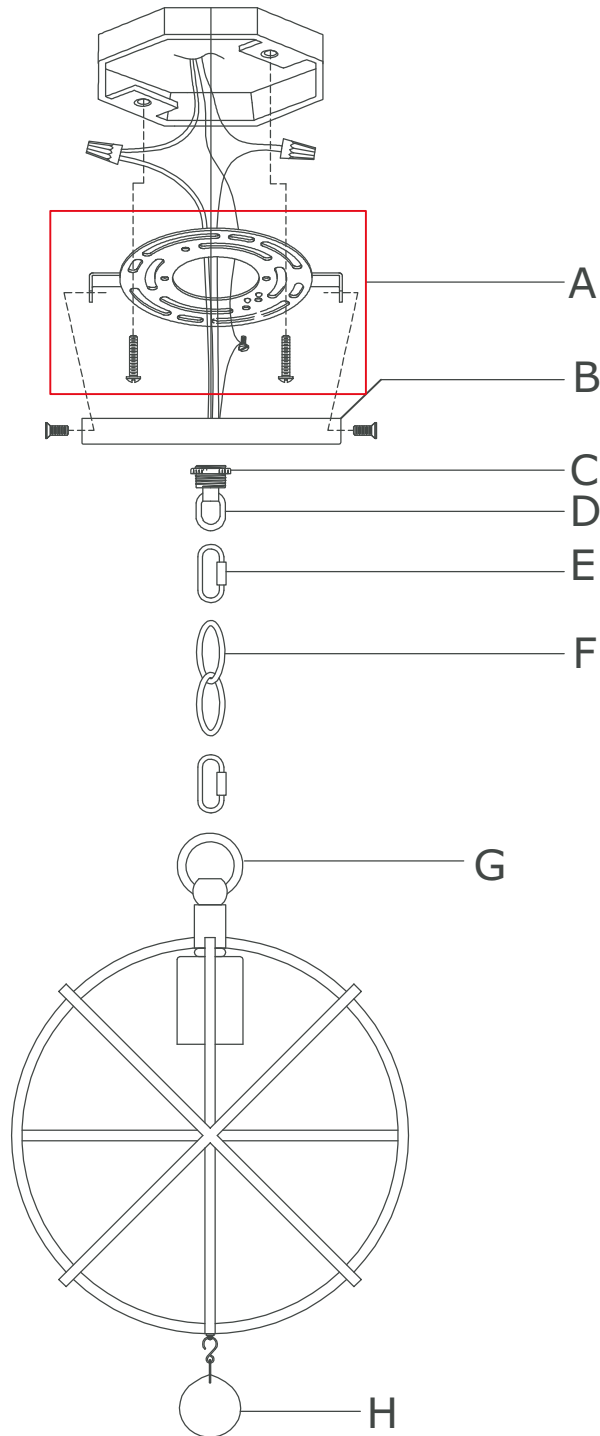
1. Repeat step: # 3-8 above.
2. Remove the fixture loop and attach the canopy onto the top fixture. Secure it with hex nut.

**WARNING:** This product can expose you to Lead, which is known to the State of California to cause cancer and/or birth defects or reproductive harm. For more information go to [www.P65Warnings.ca.gov](http://www.P65Warnings.ca.gov).



**PART NUMBER MODEL #9220-BK**

## Part Number



- A.(1) - Mounting Hardware
- B.(1) - Canopy(W6", H0.75") #XRE9220BKCAN6IN
- C.(1) - Collar Ring
- D.(1) - Collar Loop
- E.(2) - Quick Lin
- F.(1) - Hanging Chain(72",4mm) #XRE9220BKCHA4MM
- G.(1) - Fixture Loop
- H.(1) - Crystal Ball #XRE9220BKCRY30MM