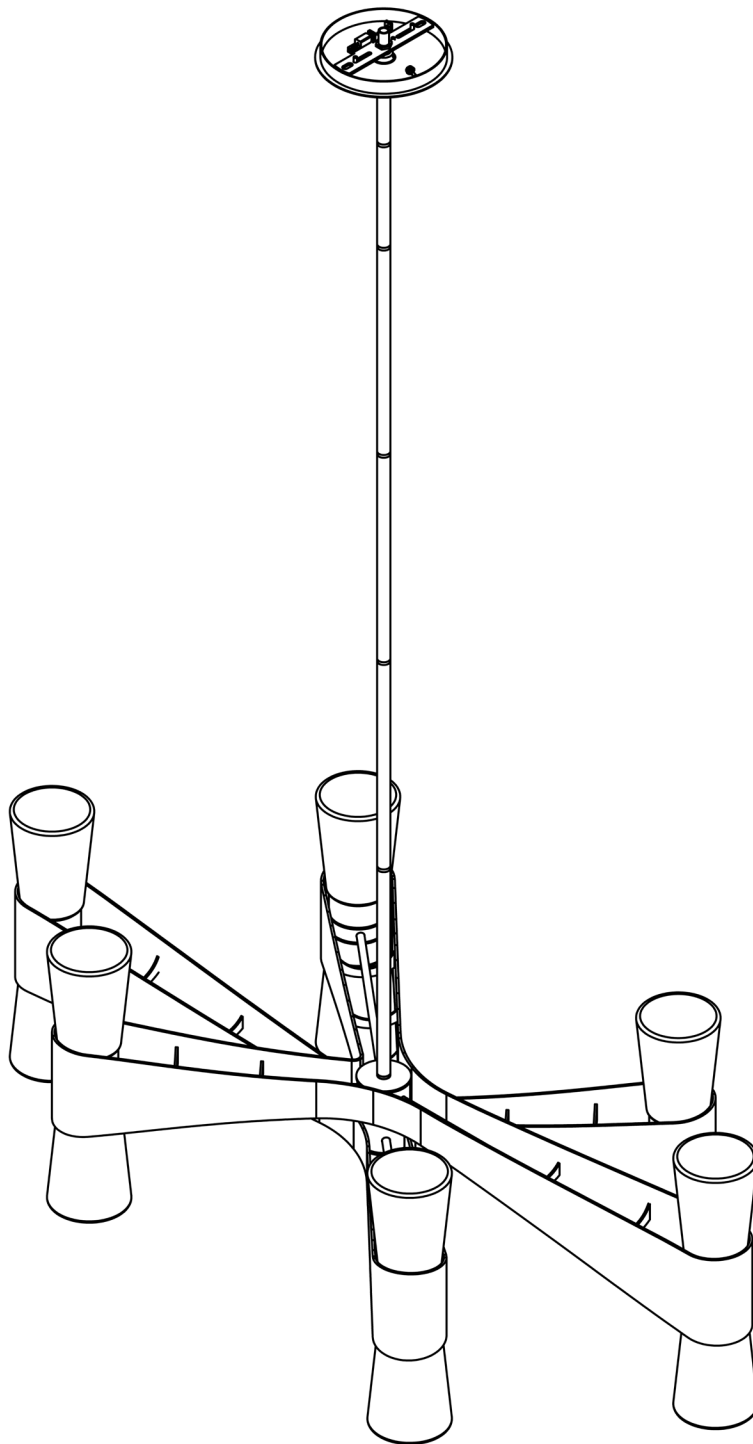


# ASSEMBLY & INSTALLATION INSTRUCTIONS

Bellis Oval Pendant 131009

A1073



HUBBARDTON FORGE.

MODERN AMERICAN BLACKSMITHS | FINE, HAND CRAFTED LIGHTING  
CASTLETON, VERMONT USA | HUBBARDTONFORGE.COM

## Component Parts

<b>A</b>	<b>Fixture</b>
<b>B</b>	<b>Crossbar</b>
<b>C</b>	<b>Jam Nut</b>
<b>D</b>	<b>Threaded Nipple</b>
<b>E</b>	<b>Ground Screw</b>
<b>F</b>	<b>Canopy Ring</b>
<b>G</b>	<b>Canopy</b>
<b>H</b>	<b>Swivel</b>
<b>I</b>	<b>12" Core Pipe</b>
<b>J</b>	<b>3" Fixture Pipe (1)</b>
<b>K</b>	<b>6" Fixture Pipe (1)</b>
<b>L</b>	<b>12" Fixture Pipe (3)</b>
<b>M</b>	<b>Stem Coupling (5)</b>
<b>N</b>	<b>Lag Screw (2)</b>
<b>O</b>	<b>Support Cable</b>
<b>P</b>	<b>Cable Gripper</b>
<b>Q</b>	<b>Glass (12)</b>
<b>R</b>	<b>Bulb (12) Not Included</b>
<b>S</b>	<b>Socket (12)</b>
<b>T</b>	<b>Rubber Washer (12)</b>



# ASSEMBLY & INSTALLATION INSTRUCTIONS

A1073

Bellis Oval Pendant 131009

**CAUTION: FAILURE TO INSTALL THIS FIXTURE PROPERLY MAY RESULT IN SERIOUS PERSONAL INJURY OR DEATH AND PROPERTY DAMAGE.** We recommend installation by a licensed electrician. This product must be installed in accordance with applicable installation code(s), by a person familiar with the construction and operation of the product and the hazards involved.\*

Caution: Do not exceed maximum wattage noted on fixture. Use only recommended bulbs with fixture.

Please Note: After installation extra hardware and accessories are possible due to our kits are used on multiple products and options.

## To Install Fixture (Figure 1 and 2) on following pages

**CAUTION: BE SURE POWER IS OFF AT THE MAIN BREAKER BOX PRIOR TO INSTALLATION.**

1. Carefully unpack fixture (A) from carton.
2. Thread jam nut (C) and crossbar (B) onto threaded nipple (D) with ground screw (E) facing towards swivel (H); leave both parts loose.
3. Using two machine screws (not provided), temporarily fasten crossbar (B) to the electric box.

**NOTE: A NEW ELECTRIC BOX COMES WITH SCREWS. WHEN REPLACING A FIXTURE, RETAIN THE EXISTING SCREWS FOR USE WITH THE NEW FIXTURE.**

4. Adjust the length of threaded nipple (D) in crossbar (B) so that canopy ring (F) will hold canopy (G) against the ceiling with no threads showing for best appearance. When the correct adjustment is established, tighten jam nut (C) against crossbar (B) to secure the adjustment.
5. Remove crossbar (B) from the electrical box and proceed with assembly instructions.
6. Locate core pipe (I), Feed fixture wires and support cable (O) through pipe and thread pipe onto fixture (A).
7. Locate fixture pipes (J, K, L), fixture (A), and stem couplings (M). Stem couplings (M) can be found in the kit bag.
8. Provided are multiple fixture pipes in three different lengths. Choose combination that will achieve overall height desired. Refer to table below to determine pipes required to reach desired overall height. Once you have determined components necessary, feed wires and support cable (O) that exit core pipe (I) through the individual components. Wires and support cable (O) will slip easier through loose components than through pipes and couplings that are pre-assembled. Once wires and support cable (O) are run, apply thread locking compound to all connection points and assemble pipes and couplings.

		Overall Height of Fixture															
		24.8	27.8	30.8	33.8	36.8	39.8	42.8	45.8	48.8	51.8	54.8	57.8	60.8	63.8	66.8	69.8
# of Pipes Required	3" Pipe (J)		1			1	1				1		1		1		1
	6" Pipe (K)			1		1		1	1			1	1			1	1
	9" Pipe (L)				1		1	1	1	2	2	2	2	3	3	3	3

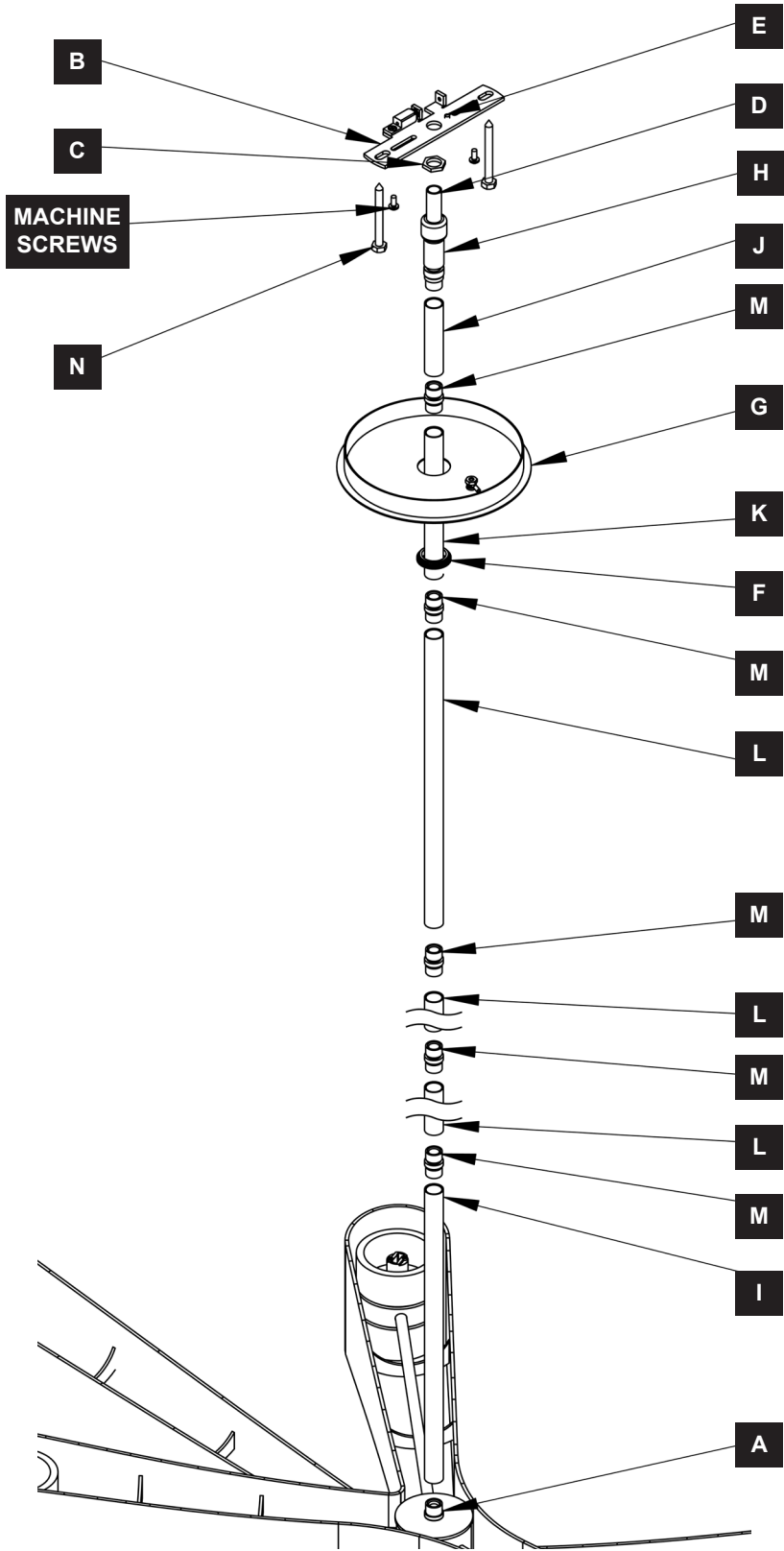
**NOTE: APPLICATION OF THE THREAD LOCKING COMPOUND IS NECESSARY TO PREVENT THE PIPE FROM LOOSENING DURING REGULAR MAINTENANCE AND CLEANING OF THE FIXTURE. BE CERTAIN TO APPLY THE COMPOUND.**

9. Carefully slide canopy ring (F) and canopy (G) over wires, support cable (O) and fixture pipes (J, K, L) until they rest on fixture (A).
10. Refer to instructions on next page to continue installation.

# ASSEMBLY & INSTALLATION INSTRUCTIONS

A1073

Bellis Oval Pendant 131009



(Figure 1)



HUBBARDTON FORGE.

MODERN AMERICAN BLACKSMITHS | FINE, HAND CRAFTED LIGHTING  
CASTLETON, VERMONT USA | HUBBARDTONFORGE.COM

# ASSEMBLY & INSTALLATION INSTRUCTIONS

A1073

## Bellis Oval Pendant 131009

1. Slip wires and support cable (O) from the fixture (A) through assembled swivel (H) and threaded nipple (D).
2. Thread support cable (O) through front tab on crossbar (B) and push into cable gripper (P). (Figure 2) Pull the support cable through the gripper until cable is tight and has no slack. Once support cable is at the correct height, excess cable behind the gripper can be cut off, leave approximately one inch of cable past the gripper. (Figure 2)
3. Using two machine screws (not provided), fasten crossbar (B) to the electric box.
4. Using lag screws (N), attach crossbar (B) to a structural member in the ceiling.

**Note:** Lag screws are supplied with your fixture; however, different materials and/or construction methods may require different fasteners. If in doubt, contact a qualified electrician.

**CAUTION:** DO NOT RELY ON ELECTRIC BOX ALONE TO SUSPEND FIXTURE. FIXTURE MUST BE ATTACHED TO A STRUCTURAL MEMBER IN THE CEILING.

**CAUTION:** INSTALLER MUST ENSURE THAT THE MOUNTING METHOD IS CAPABLE OF SUPPORTING THE WEIGHT OF THE FIXTURE.

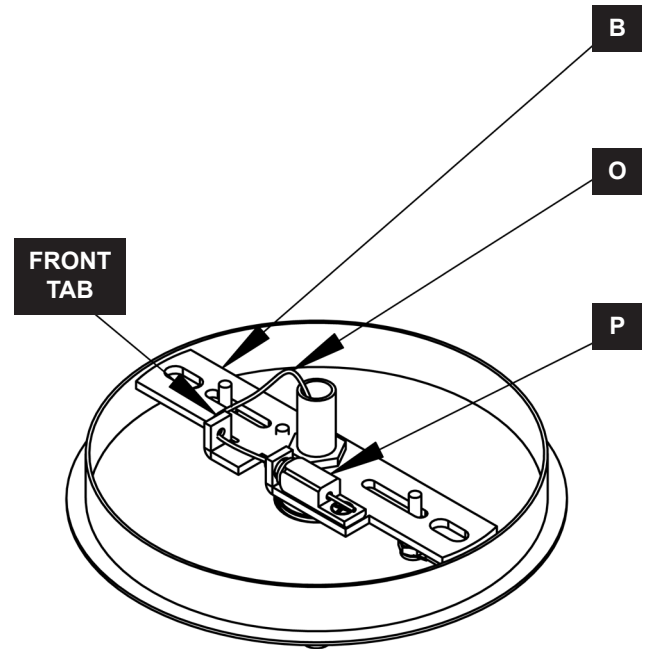
5. Using suitable wire connectors (not provided), connect fixture wires to supply (white/ribbed to white and black/smooth to black). Attach a pigtail lead to crossbar ground screw (E). Holding canopy (G) close, connect all ground wires (bare copper or green to bare copper or green) together.

**CAUTION:** MAKE SURE WIRE CONNECTORS ARE TWISTED ON SECURELY, AND NO BARE WIRE IS EXPOSED.

6. Slide canopy (G) against ceiling, and secure with canopy ring (F).

**CAUTION:** BE SURE NO WIRES ARE PINCHED BETWEEN CANOPY (G) AND THE CEILING.

7. Refer to instructions on following page to complete install.

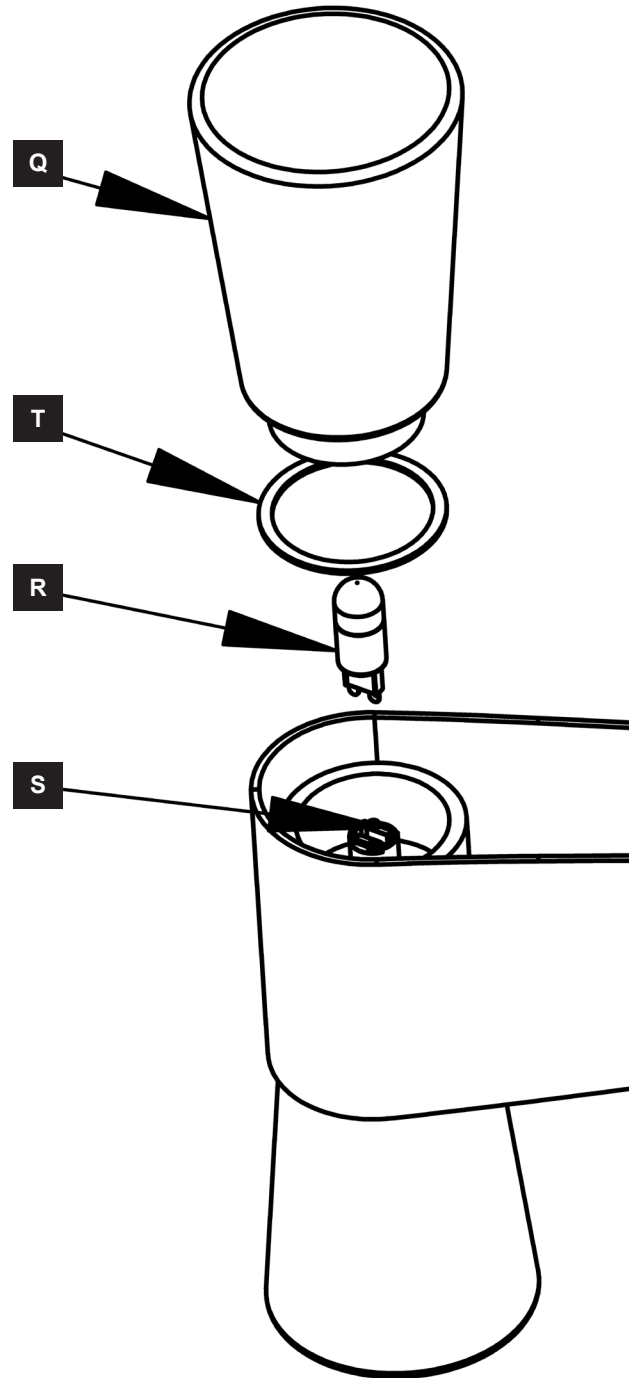


(Figure 2)

Bellis Oval Pendant 131009

## To Install Glass *(Figure 3)*

1. Carefully unpack glass (Q).
2. Install bulb (R), not included, into socket (S).
3. Slide rubber washer (T) over threaded end of glass (Q).
4. Thread glass (Q) into fixture (A).  
**Caution:** Be careful not to overtighten as this could break glass
5. Repeat steps 1 through 4 for the remaining sockets (S) and glass (Q).
6. Restore electricity at main breaker.



*(Figure 3)*

If you need further assistance, or find that you are missing any parts, please contact the dealer from which you purchased this product. We hope you enjoy your fixture!

**\* Hubbardton Forge will not be liable for injury or damage caused by improper installation, lamping or use of this fixture.**