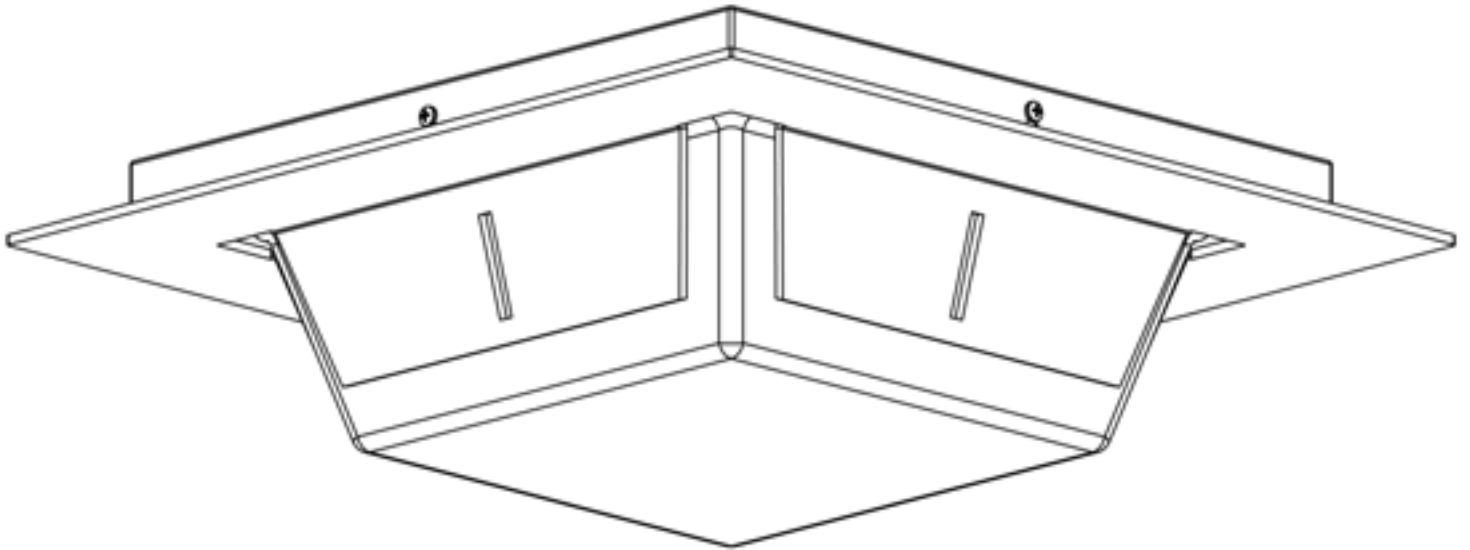


# ASSEMBLY & INSTALLATION INSTRUCTIONS

Linea Semi-Flush Outdoor 363016

A1074



HUBBARDTON FORGE.

MODERN AMERICAN BLACKSMITHS | FINE, HAND CRAFTED LIGHTING  
CASTLETON, VERMONT USA | HUBBARDTONFORGE.COM

# ASSEMBLY & INSTALLATION INSTRUCTIONS

A1074

Linea Semi-Flush Outdoor 363016

---

## Component Parts

- A Fixture
- B Fixture Can
- C Fixture Screw (3)
- D Hex Nut (4)
- E LED
- F Knurled Nut (4)
- G Mounting Bracket
- H Glass



HUBBARDTON FORGE.

MODERN AMERICAN BLACKSMITHS | FINE, HAND CRAFTED LIGHTING  
CASTLETON, VERMONT USA | HUBBARDTONFORGE.COM

# ASSEMBLY & INSTALLATION INSTRUCTIONS

A1074

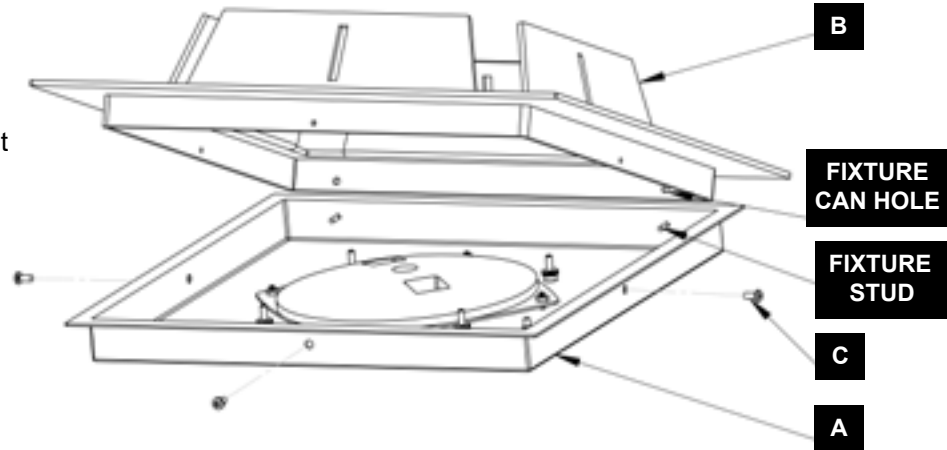
Linea Semi-Flush Outdoor 363016

**CAUTION: FAILURE TO INSTALL THIS FIXTURE PROPERLY MAY RESULT IN SERIOUS PERSONAL INJURY OR DEATH AND PROPERTY DAMAGE.** We recommend installation by a licensed electrician. This product must be installed in accordance with applicable installation code(s), by a person familiar with the construction and operation of the product and the hazards involved.\*

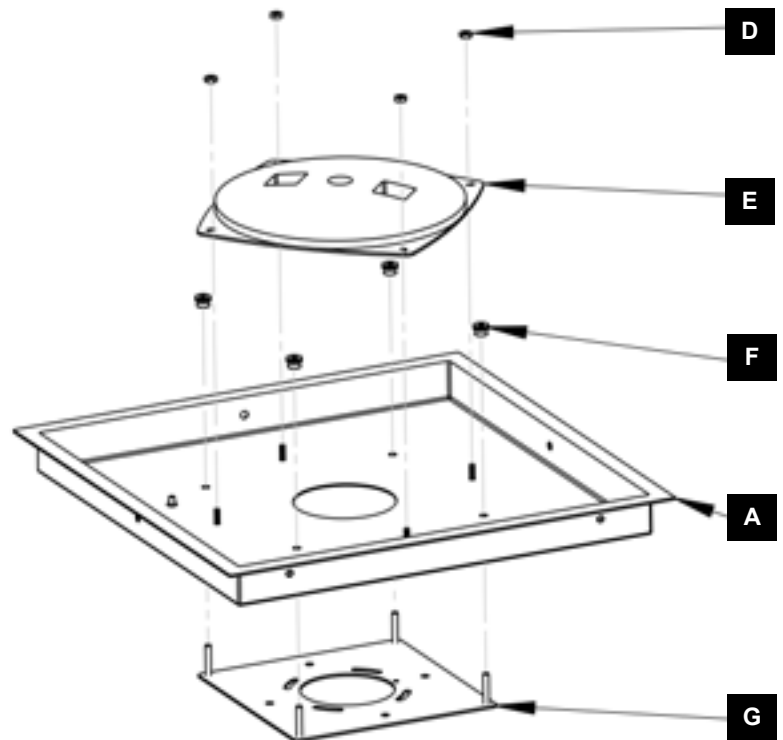
**Caution:** Do not exceed maximum wattage noted on fixture. Use only recommended bulbs with fixture.

## To Disassemble Fixture (Figure 1 and 2)

1. Carefully unpack the fixture (A) from the carton.
2. Unscrew fixture screws (C) from fixture (A)
3. Slide fixture can (B) off fixture studs and set aside.
4. Unscrew hex nuts (D) and remove LED (E) from fixture.
5. Unscrew knurled nuts (F) from mounting bracket (G), remove mounting bracket (G) from fixture (A).
6. Follow instructions on next page to com-



(Figure 1)



(Figure 2)

# ASSEMBLY & INSTALLATION INSTRUCTIONS

A1074

Linea Semi-Flush Outdoor 363016

## To Install Fixture (Figures 3-5 - on following pages)

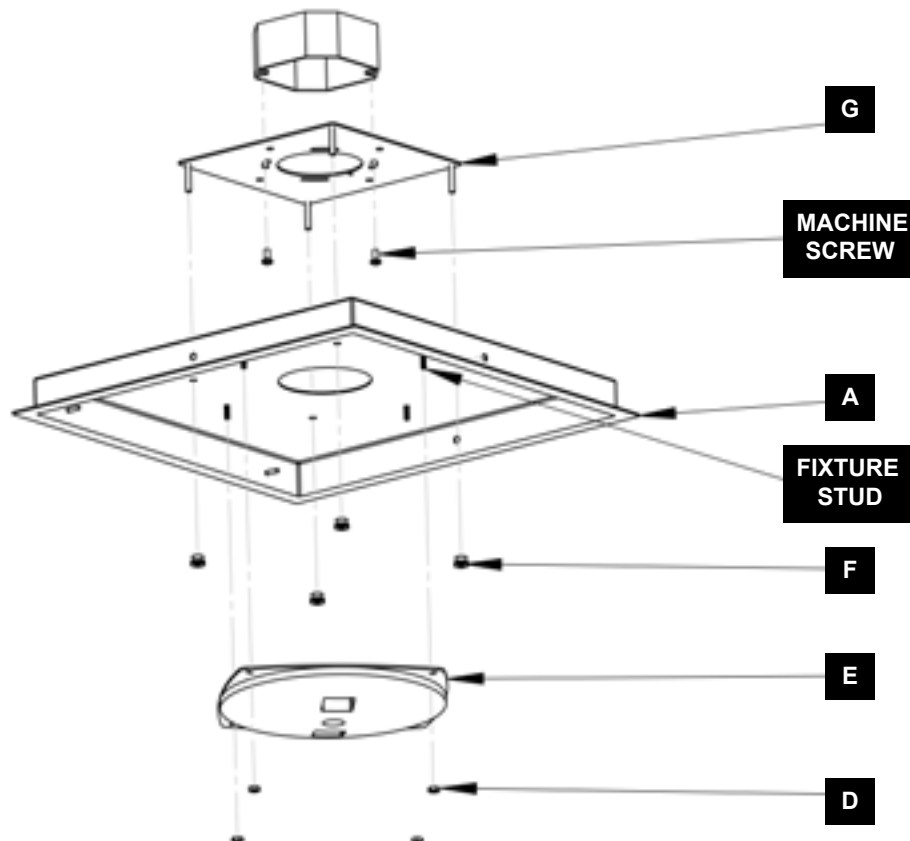
1. Thread the wires in the electrical box through the hole in mounting bracket (G) while moving the bracket into position. Using two machine screws (not provided) fasten mounting bracket (G) to the electric box.

**Note:** Most electric boxes comes with screws. When replacing a fixture, retain the existing screws for use with the new fixture

2. Thread the wires in the electrical box through hole in fixture (A). Slide fixture (A) over studs on mounting bracket (G) and push firmly to ceiling. Fasten with knurled nuts (F) and tighten until snug against fixture (A).
3. Raise LED (E) to fixture (A) with flat side facing the fixture.
4. Using suitable wire connectors (not provided); connect LED (E) wires to supply wires (white to white and black to black). Run a pigtail lead using ground screw on fixture (A) to the junction box and connect all ground wires (bare copper or green to bare copper or green) together.

**Caution:** Be sure wire connectors are twisted on securely, and no bare wire is exposed.

5. Slide LED (E) over studs on fixture (A) and lift to fixture (A) . Fasten with hex nuts (D).
6. Place glass (H) into fixture can (I) until flat of glass (H) rests in fixture can (B).
7. Raise fixture can (B), engage with studs in fixture (A), tilt fixture can (B) into fixture (A).
8. Thread fixture screws (C) through fixture (A) into fixture can (B) until secure.
9. Restore electricity at main breaker.



(Figure 3)



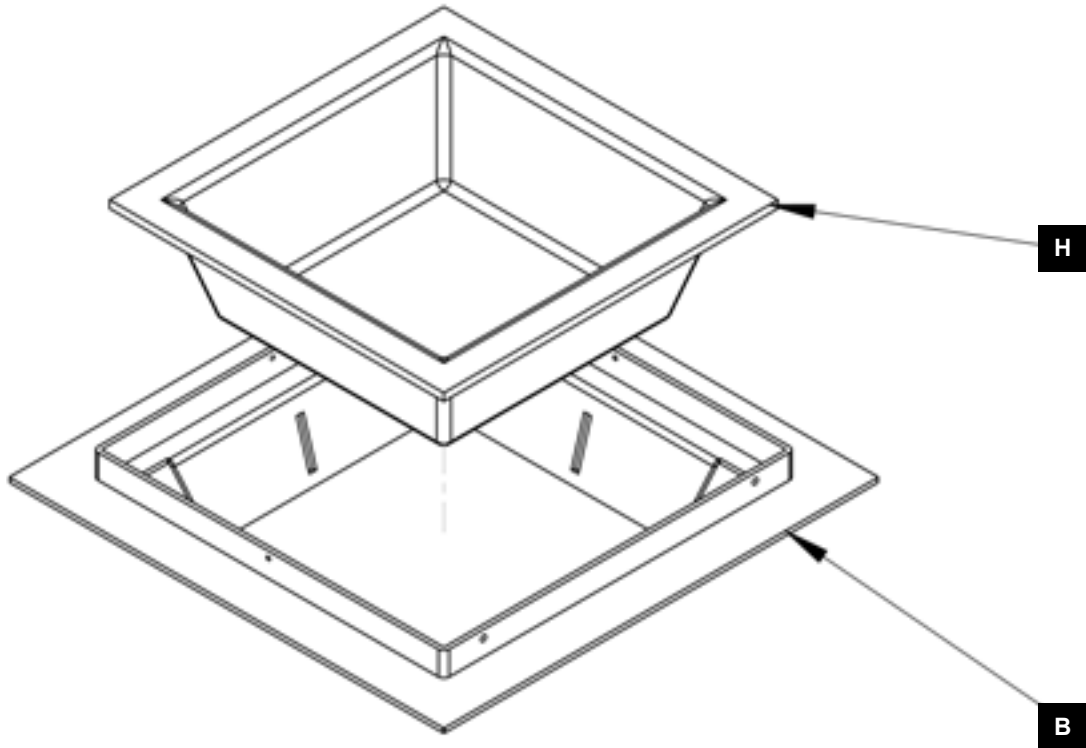
HUBBARDTON FORGE.

MODERN AMERICAN BLACKSMITHS | FINE, HAND CRAFTED LIGHTING  
CASTLETON, VERMONT USA | HUBBARDTONFORGE.COM

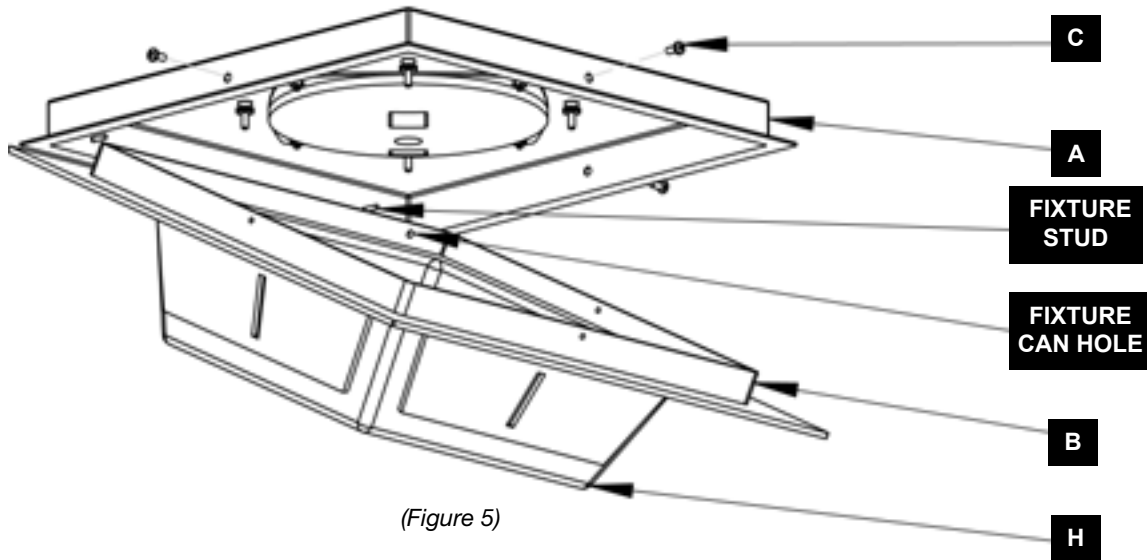
# ASSEMBLY & INSTALLATION INSTRUCTIONS

A1074

Linea Semi-Flush Outdoor 363016



(Figure 4)



(Figure 5)

If you need further assistance, or find that you are missing any parts, please contact the dealer from which you purchased this product. We hope you enjoy your fixture!

**\* Hubbardton Forge will not be liable for injury or damage caused by improper installation, lamping or use of this fixture.**