

ASSEMBLY & INSTALLATION INSTRUCTIONS

**Component Parts**

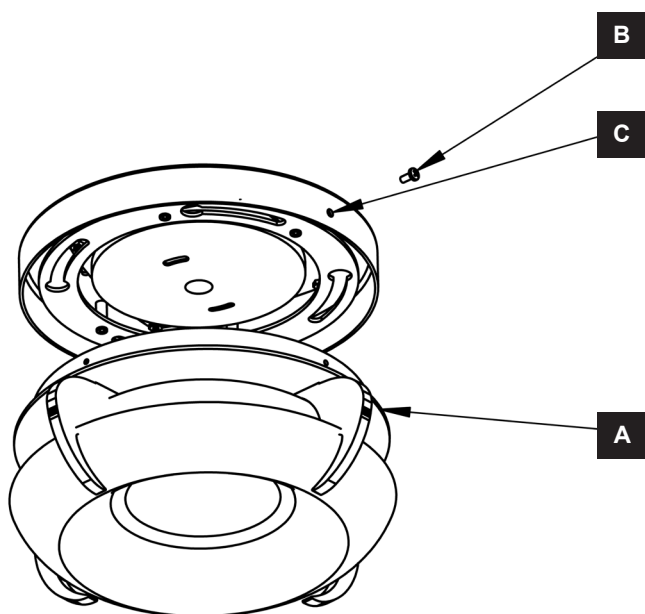
- A Fixture**
- B Mounting Screw**
- C Fixture Can**
- D LED**
- E Hex Nut (4)**
- F Plate Screw (4)**
- G Mounting Plate**

## ASSEMBLY &amp; INSTALLATION INSTRUCTIONS

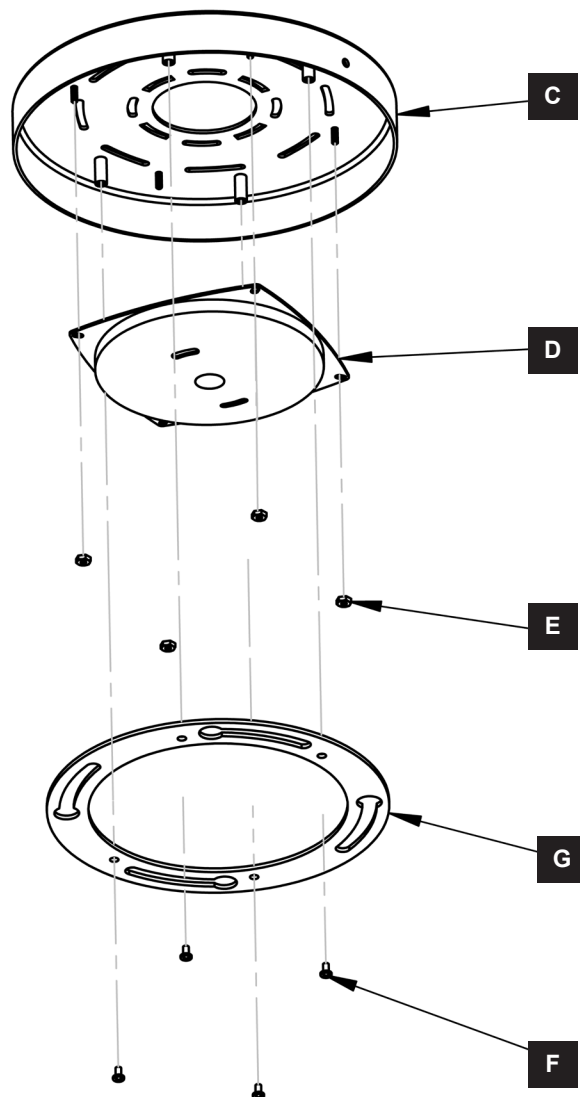
**CAUTION: FAILURE TO INSTALL THIS FIXTURE PROPERLY MAY RESULT IN SERIOUS PERSONAL INJURY OR DEATH AND PROPERTY DAMAGE.** We recommend installation by a licensed electrician. This product must be installed in accordance with applicable installation code(s), by a person familiar with the construction and operation of the product and the hazards involved.\*

**TO DISASSEMBLE FIXTURE** (Figures 1 and 2)

1. Carefully unpack fixture (A).
2. Unscrew mounting screw (B) from fixture (A) and twist fixture counter clockwise until disengaged from fixture can (C).
3. Set fixture (A) aside for later use.
4. Unscrew plate screws (F) from fixture can (C) and remove mounting plate (G).
5. Unscrew hex nuts (E) from fixture can (C) and remove LED (D).
6. Follow instructions on following pages for installation.



(Figure 1)



(Figure 2)

## ASSEMBLY &amp; INSTALLATION INSTRUCTIONS

**TO INSTALL FIXTURE** (Figures 3 through 5 on following page)

**CAUTION:** BE SURE POWER IS OFF AT THE MAIN BREAKER BOX PRIOR TO INSTALLATION.

1. Using two machine screws (not provided) fasten fixture can (C) to electric box as seen in figure 3.

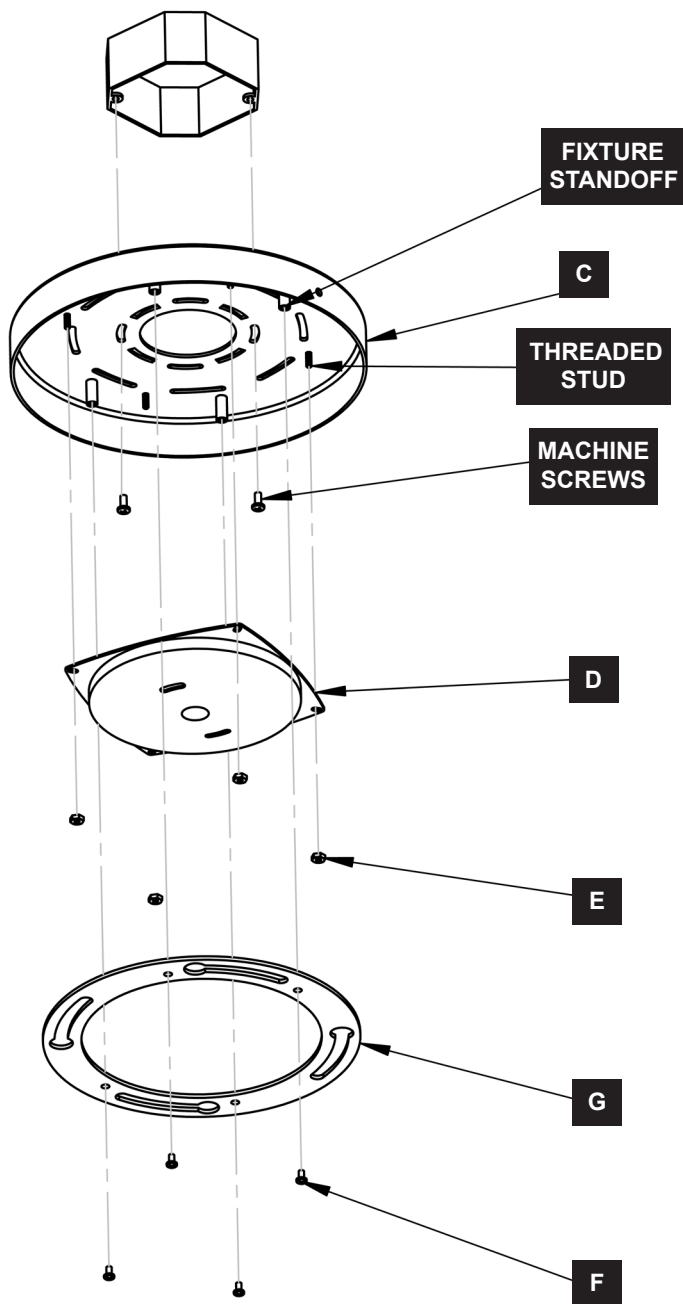
**NOTE:** A NEW ELECTRIC BOX COMES WITH SCREWS. WHEN REPLACING A FIXTURE, RETAIN THE EXISTING SCREWS FOR USE WITH THE NEW FIXTURE.

2. Hold LED (D) close to fixture can (C). Using suitable wire connectors (not provided) connect LED wires to supply wires (white to white and black to black) Connect all ground wires (bare copper or green to bare copper or green)

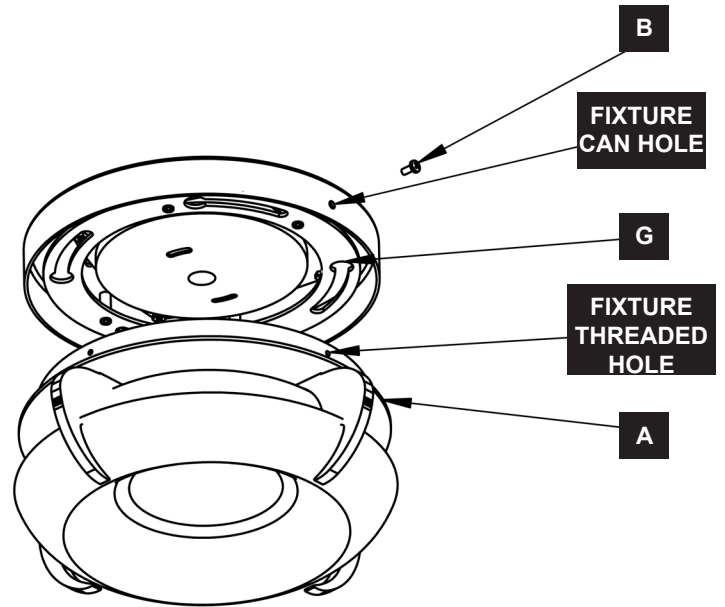
**CAUTION:** MAKE SURE WIRE CONNECTORS ARE TWISTED ON SECURELY, AND NO BARE WIRE IS EXPOSED.

3. Slide LED (D) over threaded studs in fixture can (C) and secure with hex nuts (E).
4. Orient mounting plate (G) as seen in Figure 3; align plate holes over standoffs in fixture can (C) and secure mounting plate with plate screws (F).
5. Raise fixture (A) to fixture can (C) and slide fixture screw heads into mounting plate (G). (Figure 4)
6. Rotate fixture (A) clockwise until fixture can hole and fixture threaded hole are aligned.
7. Secure front of fixture (A) with fixture screw (B). (Figure 4)
8. Restore electricity at main breaker.

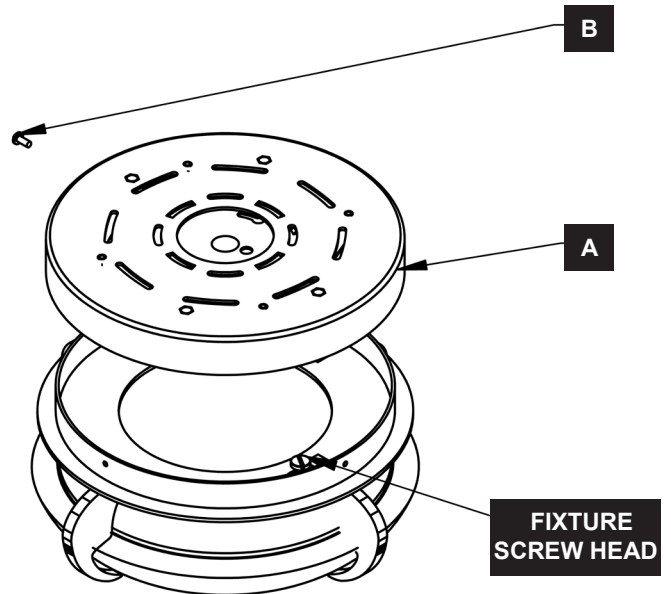
ASSEMBLY & INSTALLATION INSTRUCTIONS



(Figure 3)



(Figure 4)



(Figure 5)

If you need further assistance, or find that you are missing any parts, please contact the dealer from which you purchased this product. We hope you enjoy your fixture!  
 \*ART+ALCHEMY will not be liable for injury or damage caused by improper installation, lamping or use of this fixture.