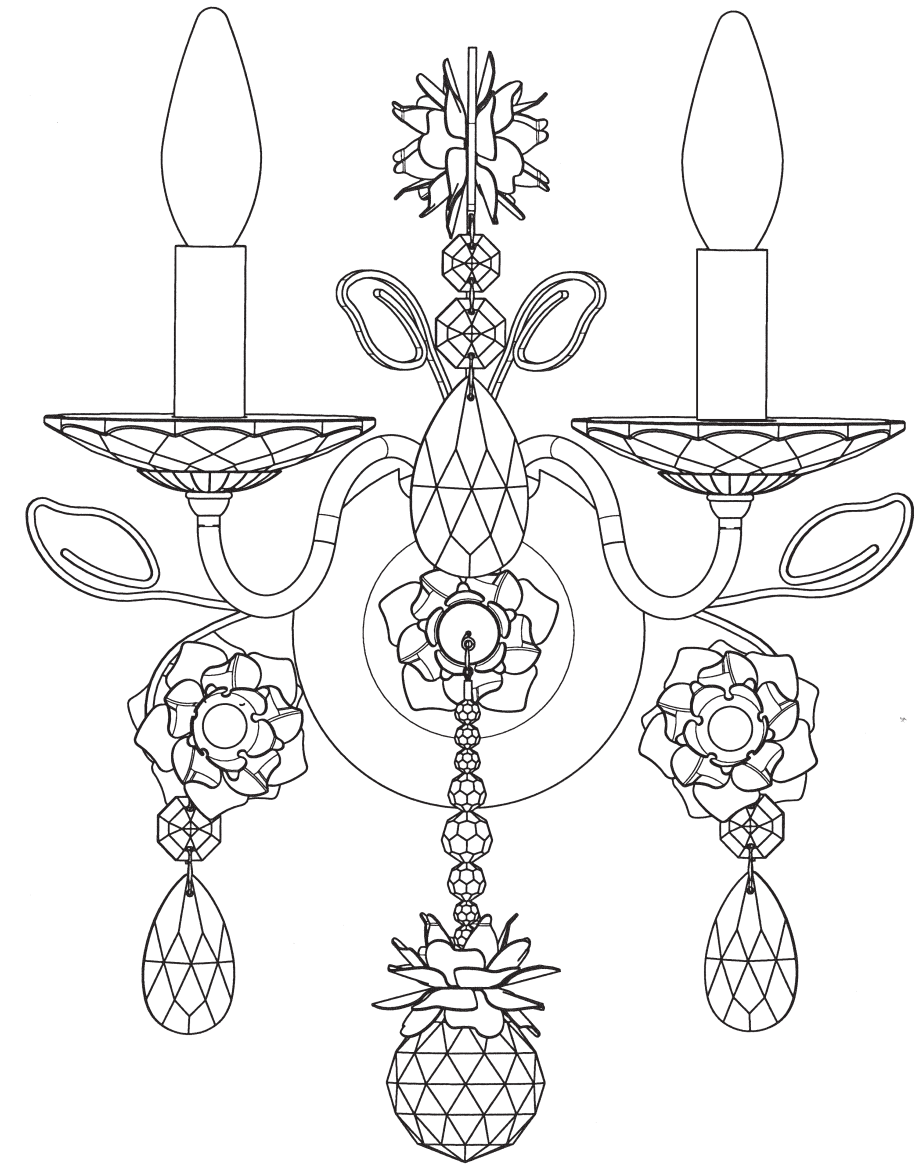


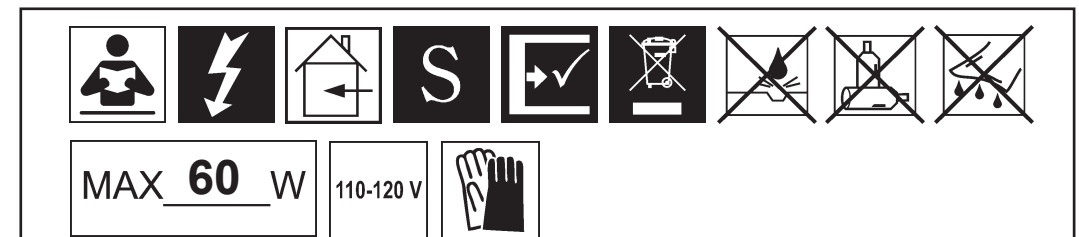
SCHONBEK
Signature[™]

CAMELLIA
S8002- ___ / ___ R

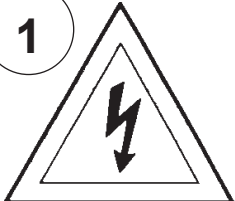
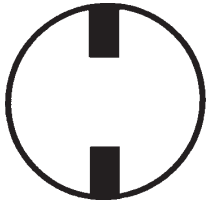


THIS DESIGN IS THE PROPRIETARY
TRADE DRESS/TRADemark OF
W SCHONBEK LLC.

SCHONBEK
Signature[™]

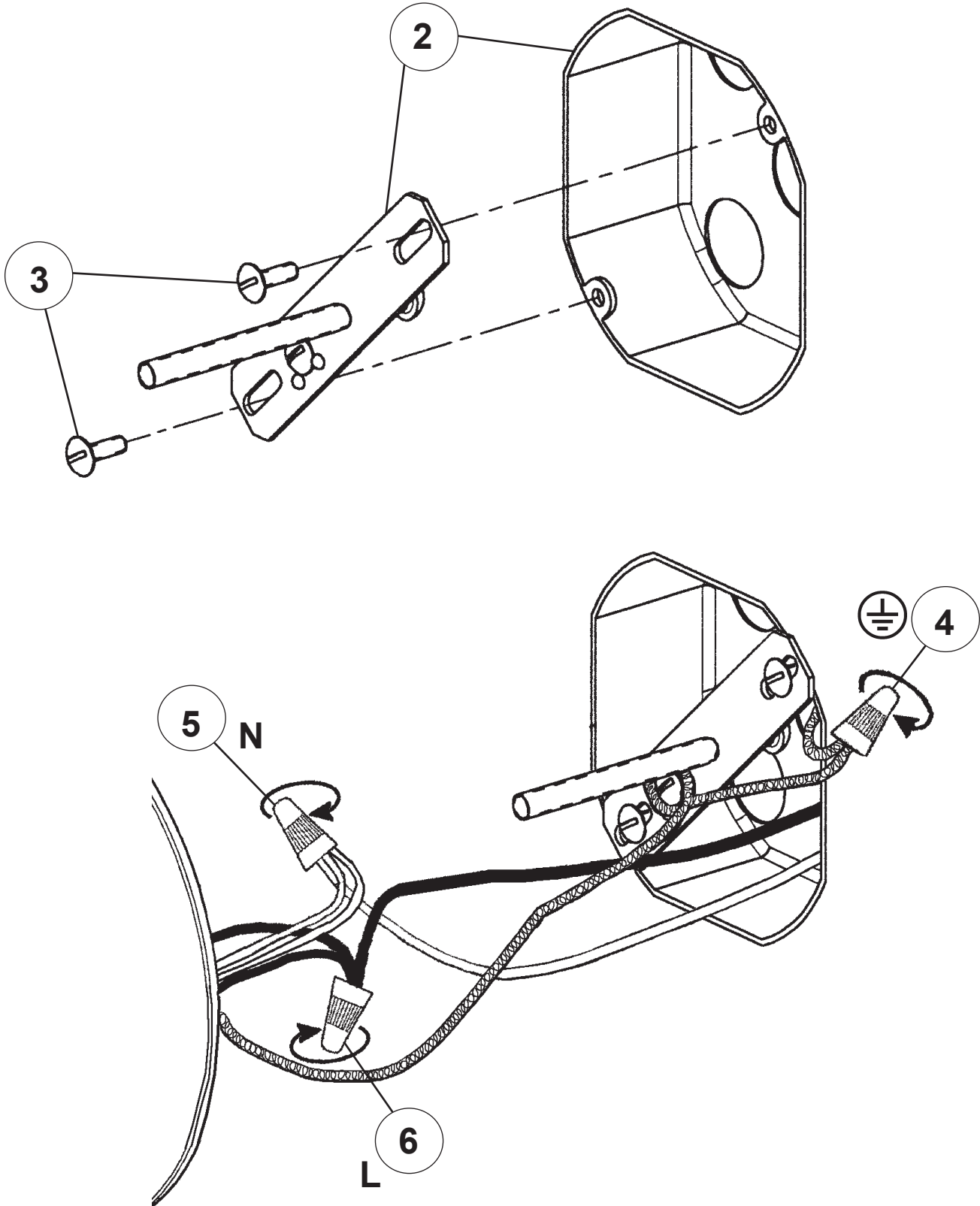


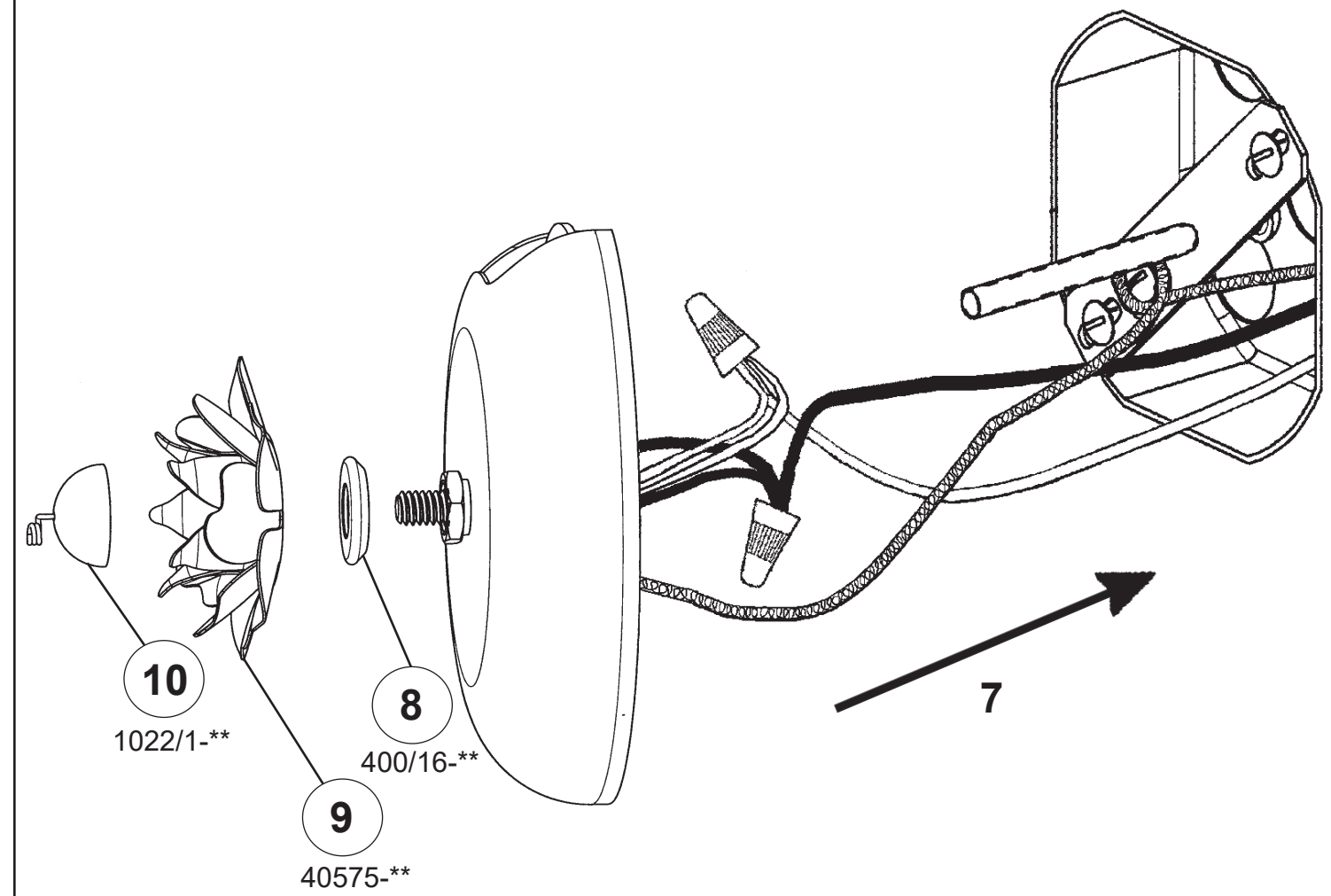
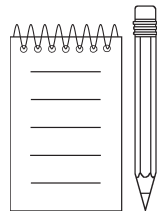
WARNING:

1  

Electrical Danger Turn Power Off

All electrical components must be installed by a licensed electrician in accordance with the National Electric Code and the appropriate local electrical codes.





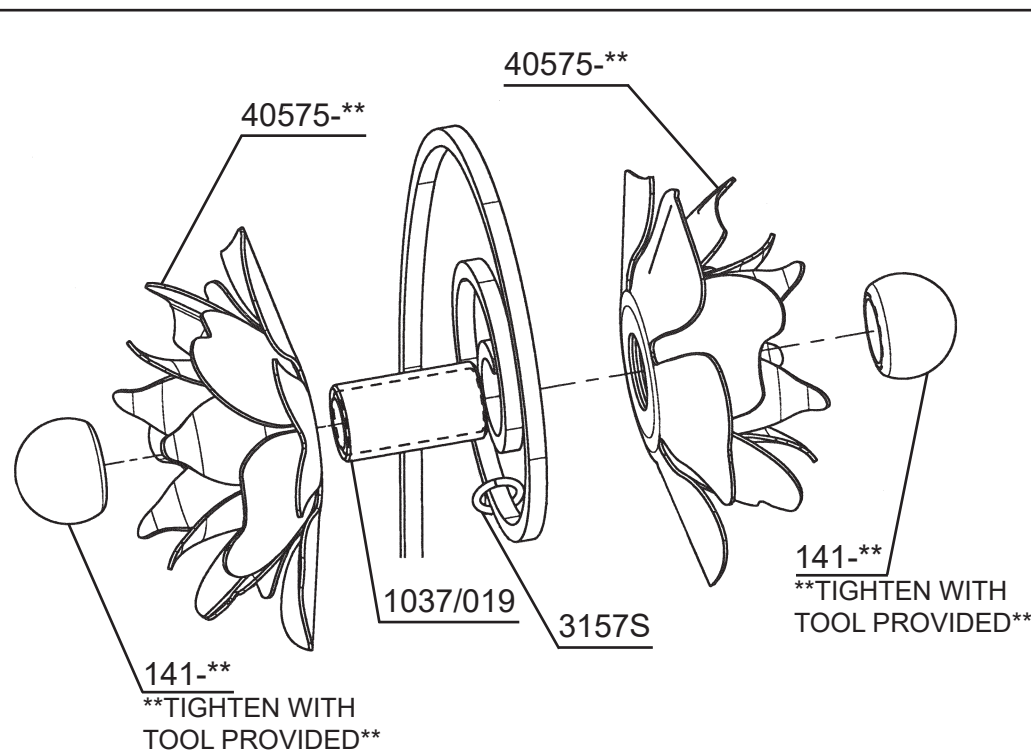
12



You will need 5 - B10
25 Watts Recommended
60 Watts Max

1 X : 3157S

FIGURE 1



****TRIM RING (3157S) MUST BE INSTALLED, ON TOP SCROLL, PRIOR TO INSTALLING FLOWER ON SCROLL.**

- 1** Attach one ball to either side of running thread.
- 2** Insert the other ball into the rubber tool (provided) with the threads facing outward.
- 3** Insert the ball, with the running thread, through both flowers in the position shown.
- 4** Fasten flowers to fixture using the rubber tool until flower is tight.

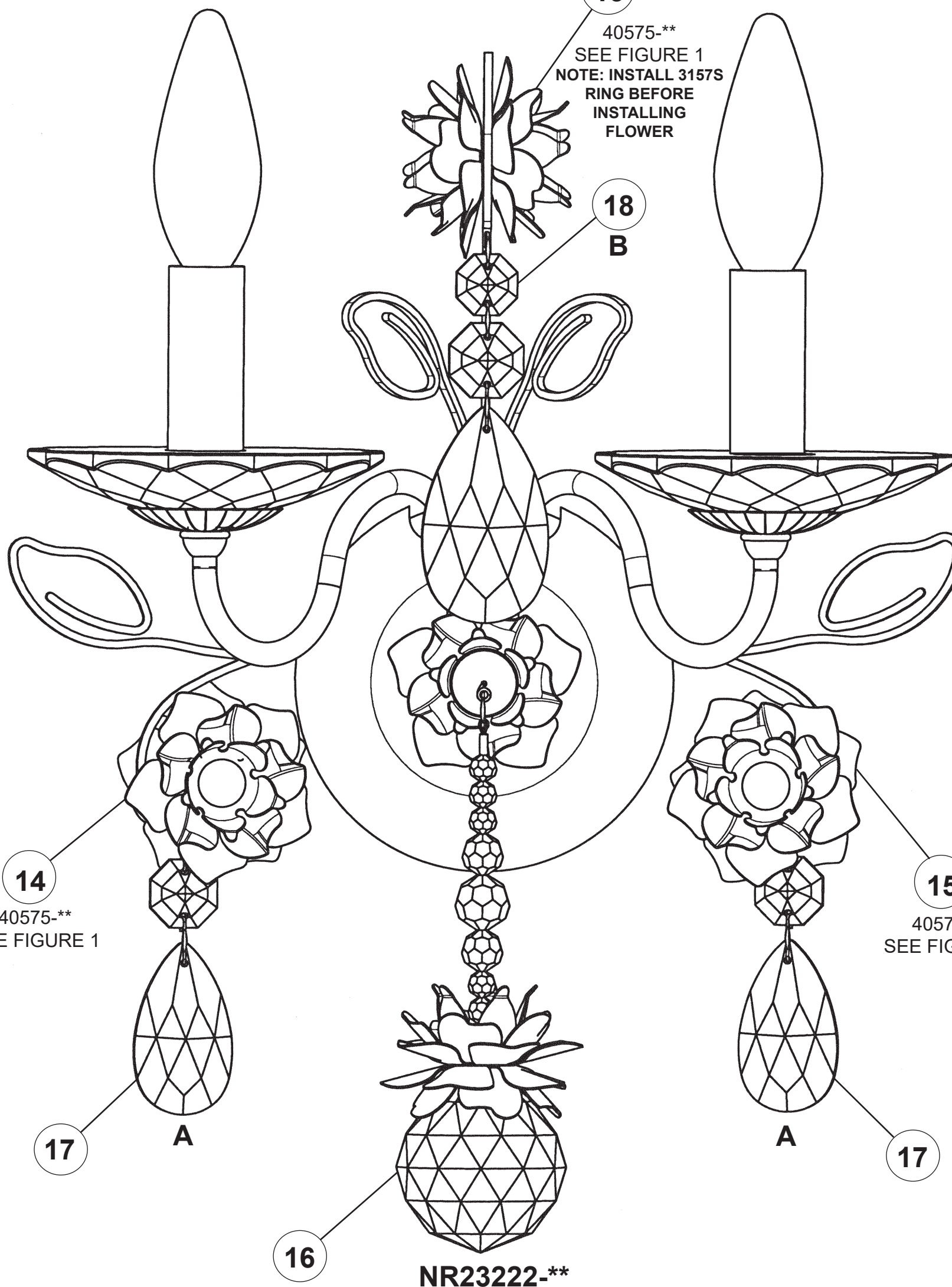
13

40575-**
SEE FIGURE 1
NOTE: INSTALL 3157S
RING BEFORE
INSTALLING
FLOWER

18
B

90427/1

11



14

40575-**
SEE FIGURE 1

15

40575-**
SEE FIGURE 1

17

A

16

NR23222-**

17

A