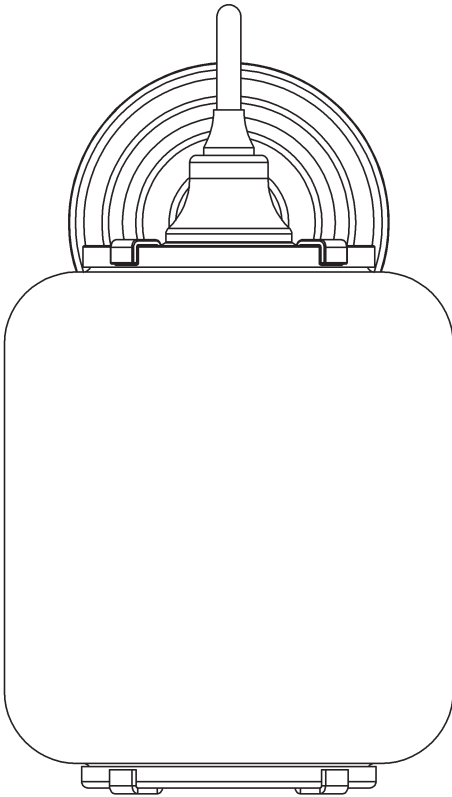


ASSEMBLY & INSTALLATION INSTRUCTIONS

B492

Fairwinds Outdoor Sconce Small 302551 & Large 302553



302551

Shown in Illustrations



302553



HUBBARDTON FORGE.

Component Parts

- A Fixture**
- B Mounting Bracket**
- C Ground Screw**
- D Cupped washer**
- E Caulking Lip**
- F #8 Screw**
- G Socket**
- H Glass**
- I Glass Retainer**
- J Cage**
- K Bulb (not included)**



ASSEMBLY & INSTALLATION INSTRUCTIONS

B492

Fairwinds Outdoor Sconce Small 302551 & Large 302553

CAUTION: FAILURE TO INSTALL THIS FIXTURE PROPERLY MAY RESULT IN SERIOUS PERSONAL INJURY OR DEATH AND PROPERTY DAMAGE. We recommend installation by a licensed electrician. This product must be installed in accordance with applicable installation code(s), by a person familiar with the construction and operation of the product and the hazards involved.*

Caution: Do not exceed maximum wattage noted on fixture. Use only recommended bulbs with fixture.

Please Note: After installation extra hardware and accessories are possible; our kits are used on multiple products.

To Install Fixture (Figures 1 & 2 - on next page)

CAUTION: BE SURE POWER IS OFF AT THE MAIN BREAKER BOX PRIOR TO INSTALLATION.

1. Carefully unpack the fixture (A) from the carton.
2. Unthread glass retainer (I) and separate cage (J) from fixture (A). Refer to Figure 3 for part callout.
3. Using two machine screws (not provided) attach mounting bracket (B) to the electric box ensuring correct orientation. (refer to Figure 1 for correct orientation - Angled cut out must be on bottom)

Note: A new electric box comes with screws. When replacing a fixture, retain the screws for use with the new fixture.

4. Attach a pigtail lead to the mounting bracket (B) using the ground screw (C) and cupped washer (D), found in kit bag.
5. Hold fixture (A) close to wall. Using suitable wire connectors (not provided), connect fixture wires to supply wires (white to white and black to black). Connect all ground wires (bare copper or green to bare copper or green).

CAUTION: MAKE SURE WIRE CONNECTORS ARE TWISTED ON SECURELY, AND NO BARE WIRE IS EXPOSED.

6. Apply a generous bead of a suitable caulking material (not provided) to caulking lip (E) on fixture (Figure 2).
7. Place fixture (A) over mounting bracket (B). Cross plate in back of fixture (A) will hook onto top of mounting bracket (B). Secure with #8 screw (F) in bottom of fixture.

Note: It may be necessary to loosen #8 screw (F) to allow fixture to sit against wall before re-tightening against mounting bracket (B).

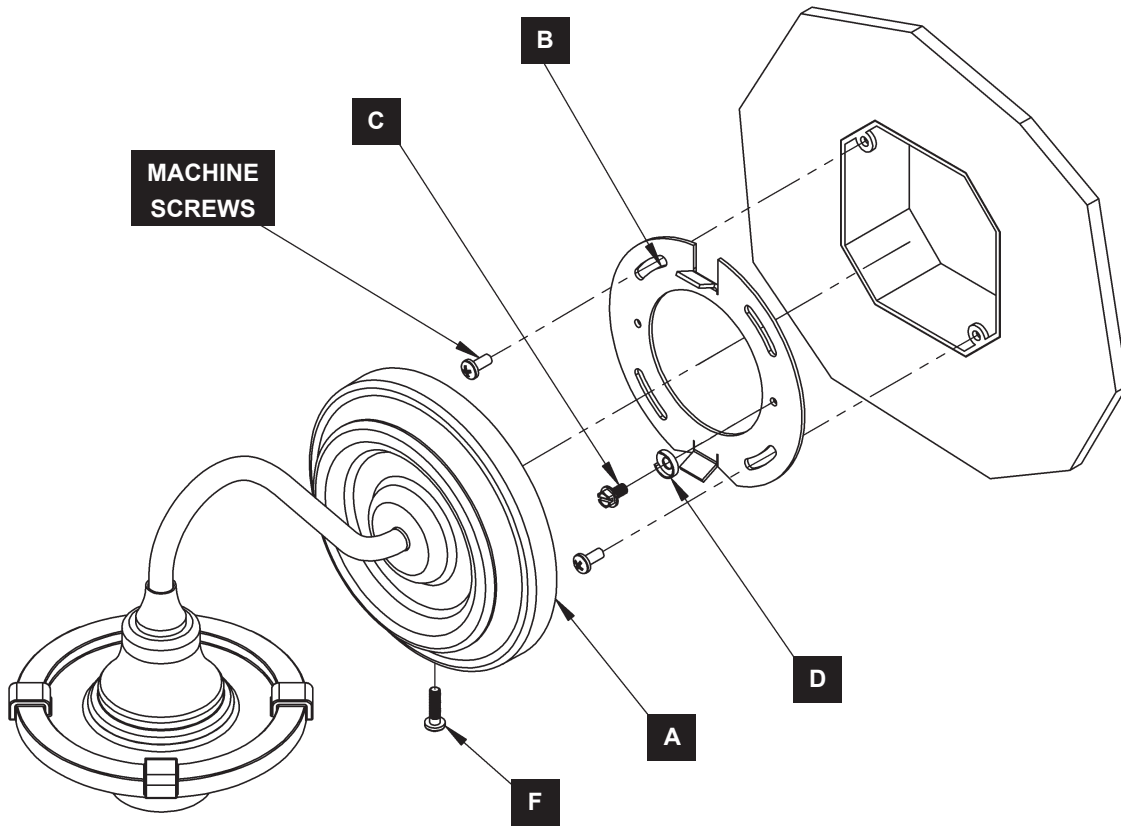
CAUTION: BE SURE NO WIRES ARE PINCHED BETWEEN THE WALL AND FIXTURE.

8. Follow steps on remaining pages to complete installation.

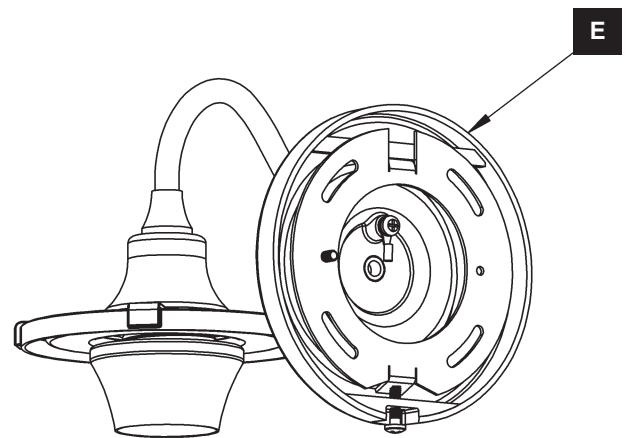
ASSEMBLY & INSTALLATION INSTRUCTIONS

B492

Fairwinds Outdoor Sconce Small 302551 & Large 302553



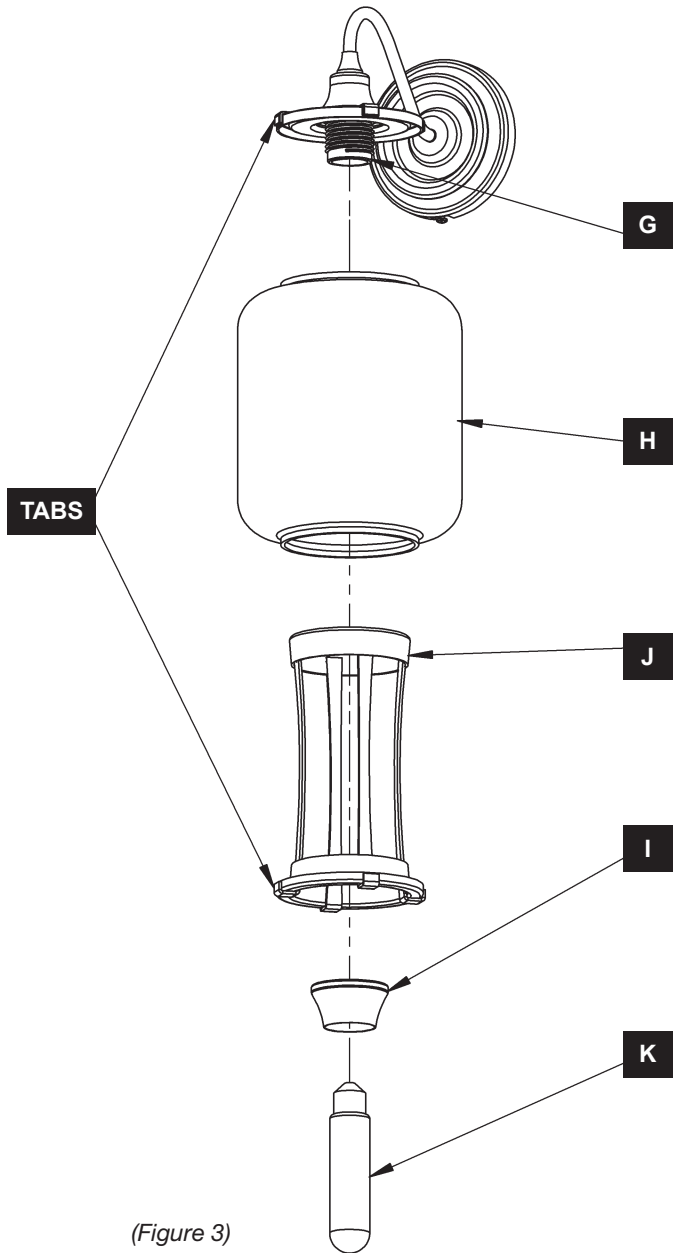
(Figure 1)



(Figure 2)

To Install Glass *(Figure 3)*

1. Glass retainer (I) is shipped installed on socket (G) Remove and set aside for use in following steps.
2. Carefully unpack glass (H) from carton.
3. Place glass (H) over cage (J); Slide cage (J) and glass (H) over socket (G) and secure with glass retainer (I) .
Note: Do not overtighten as this could break glass.
4. For best appearance, ensure tabs on cage (J) are aligned with fixture (A) (refer to Figure 3 for correct orientation).
5. Install bulb (not included) (K) into socket (G).
6. Restore electricity at main breaker.



(Figure 3)

If you need further assistance, or find that you are missing any parts, please contact the dealer from which you purchased this product. We hope you enjoy your fixture!

*** Hubbardton Forge will not be liable for injury or damage caused by improper installation, lamping or use of this fixture.**