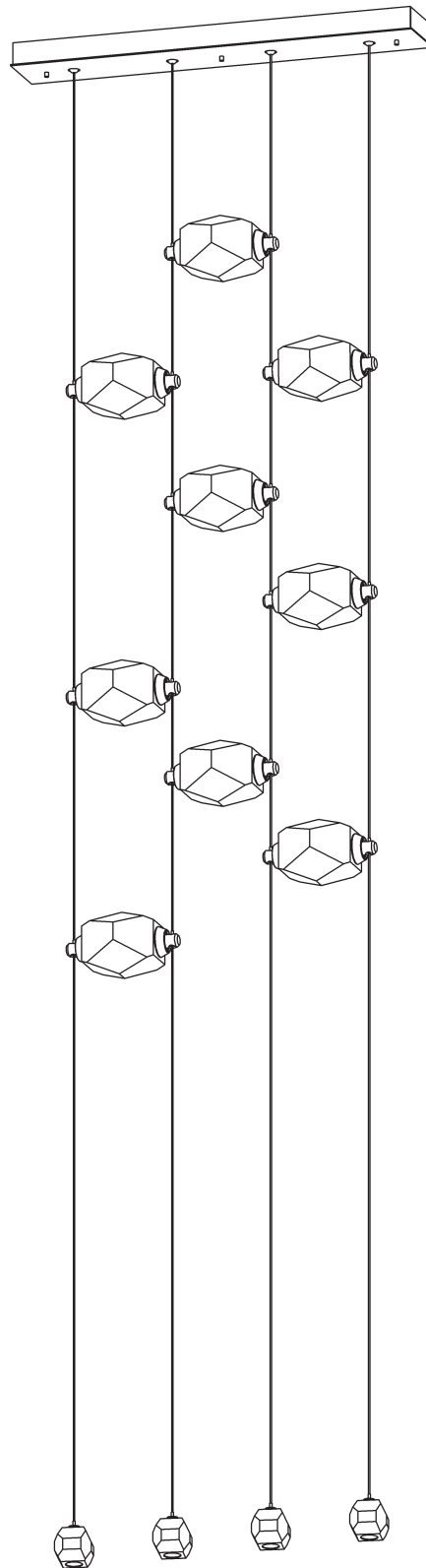


ASSEMBLY & INSTALLATION INSTRUCTIONS

A899

Gatsby Pendant Floor to Ceiling 9lt - 139056



HUBBARDTON FORGE.

MODERN AMERICAN BLACKSMITHS | FINE, HAND CRAFTED LIGHTING
CASTLETON, VERMONT USA | HUBBARDTONFORGE.COM

Component Parts

A	Canopy
B	Cover Plate
C	Knobs (3)
D	Anchor (4)
E	#10 Screws (4)
F	Ground Screw
G	Cupped Washer
H	Driver
I	Cables (4)
J	Threaded Studs (3)
K	Crystal (9)
L	Crystal Gripper (18)
M	Crystal Weight (4)
N	Weight Gripper (4)
O	Floor Plate
P	Wood Screws (3)
Q	Eyehook (4)
R	Base Gripper (4)
S	Clear Tubing (4)
T	Led Module (9)
U	Crystal Retainer (18)
V	Crystal Module (9)



ASSEMBLY & INSTALLATION INSTRUCTIONS

A899

Gatsby Pendant Floor to Ceiling 9lt - 139056

CAUTION: FAILURE TO INSTALL THIS FIXTURE PROPERLY MAY RESULT IN SERIOUS PERSONAL INJURY OR DEATH AND PROPERTY DAMAGE. We recommend installation by a licensed electrician. This product must be installed in accordance with applicable installation code(s), by a person familiar with the construction and operation of the product and the hazards involved.*

Install Canopy (Figure 1 - on following page)

1. Carefully unpack the fixture from the carton.
2. Remove knobs (C) and separate cover plate (B) from canopy (A). Set aside for later use.
3. Center the canopy (A) over the electrical box. Be sure to line up oval slots in bracket with mounting holes in electrical box. With a pencil, mark the location of all mounting holes in the canopy (A) on the ceiling.
4. Put the canopy (A) down and drill 1/4" holes in the locations marked on the ceiling. Place the tapered end of the anchors (D) into the holes and gently tap them flush to the ceiling using a light weight hammer.
5. Thread the wires from the electrical box through the center hole in the canopy (A) while moving into position.
6. Using two machine screws (not provided), fasten the canopy (A) to the electric box using oval slots in center.
Note: Most electric boxes comes with screws. When replacing a fixture, retain the existing screws for use with the new fixture.
7. Using the #10 screws (E), screw the canopy (A) securely to the ceiling. Be careful not to over-tighten or strip the anchors (D).
8. Using suitable wire connectors (not provided) connect driver (H) wires to supply wires (white to white and black to black). Attach a pigtail lead to canopy (A) using the ground screw (F) and cupped washer (G) found in kit bag.
9. Slide cables (I) through appropriate holes in cover plate (B). Holding cover plate (B) close to ceiling, connect all ground wires (bare copper or green to bare copper or green) together.

CAUTION: BE SURE WIRE CONNECTORS ARE TWISTED ON SECURELY, AND NO BARE WIRE IS EXPOSED.

10. Slip cover plate (B) over threaded studs (J). Secure with knobs (C). Be sure threaded studs are fully seated in knobs.

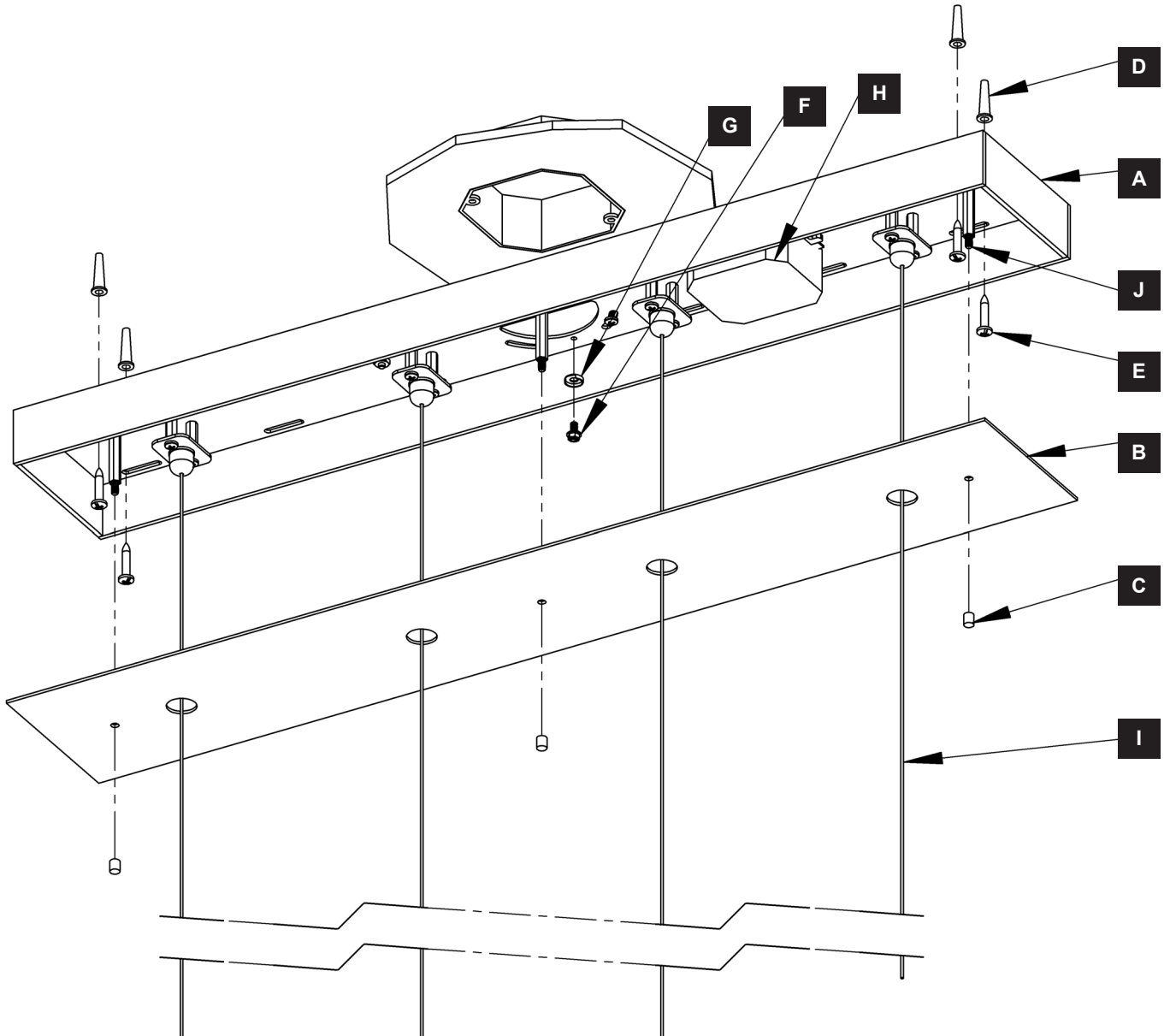
CAUTION: BE SURE NO WIRES ARE PINCHED BETWEEN THE COVER PLATE (B) AND THE CANOPY (A).

11. Complete steps on following pages to install glass and complete installation.

ASSEMBLY & INSTALLATION INSTRUCTIONS

A899

Gatsby Pendant Floor to Ceiling 9ft - 139056



(Figure 1)



HUBBARDTON FORGE.

MODERN AMERICAN BLACKSMITHS | FINE, HAND CRAFTED LIGHTING
CASTLETON, VERMONT USA | HUBBARDTONFORGE.COM

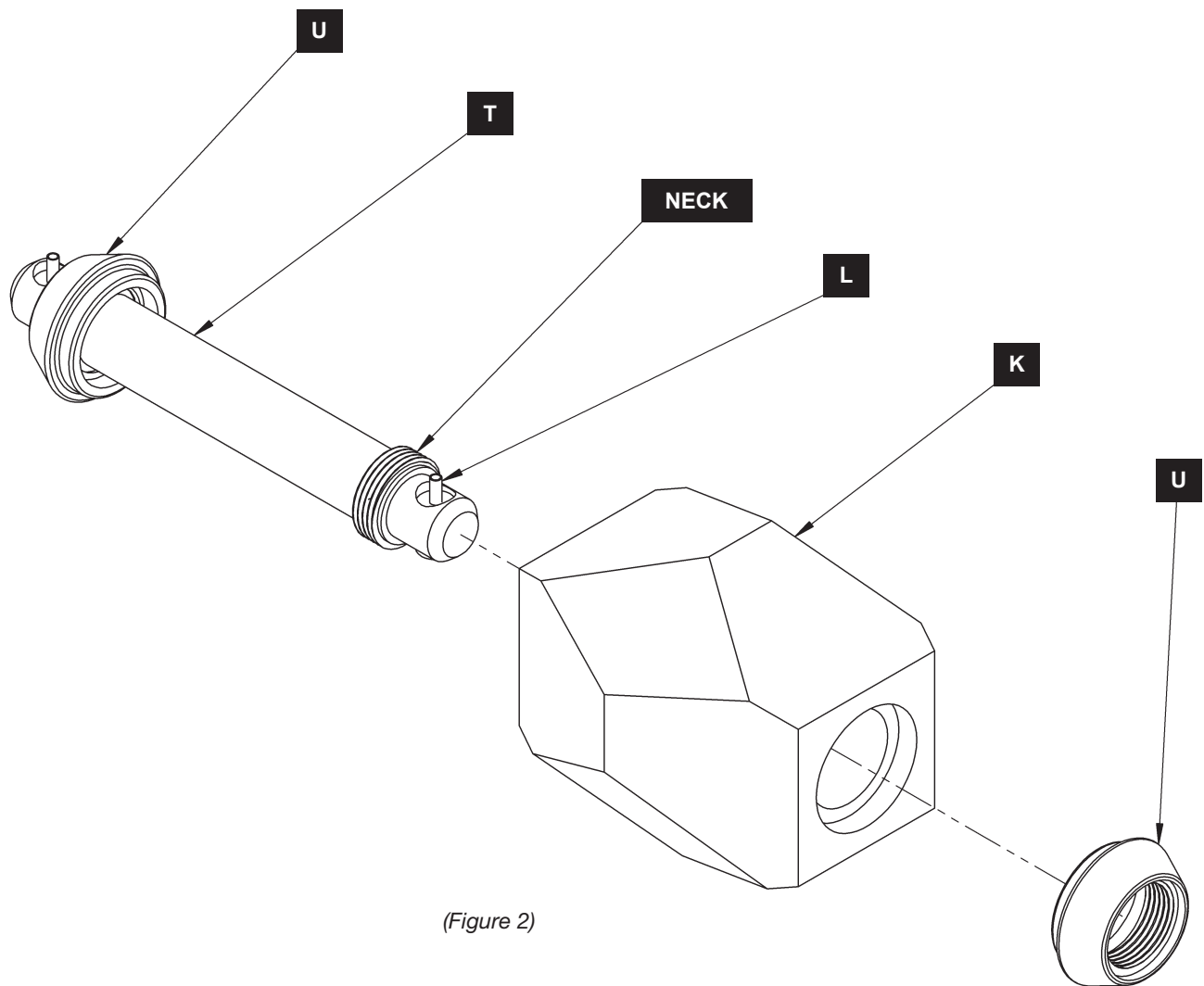
Gatsby Pendant Floor to Ceiling 9lt - 139056

To Assemble Crystal Module (Figure 2)

1. Carefully unpack LED Module (T) and crystal (K).
2. Crystal retainers (U) are shipped installed on LED module (T) remove one and set aside for use in the following steps.
3. Carefully slide LED module (T) through crystal (K) until installed crystal retainer (U) is fully seated in crystal (K). Secure LED module (T) by threading crystal retainer (U) onto neck.

NOTE: IT MAY BE NECESSARY TO PUSH IN PLUNGER ON CRYSTAL GRIPPER (L) TO ALLOW RETAINER TO START THREADING ONTO NECK.

4. Repeat for remaining crystals (K) and LED modules (T).
5. Follow instructions on following page to finish install.



(Figure 2)

ASSEMBLY & INSTALLATION INSTRUCTIONS

A899

Gatsby Pendant Floor to Ceiling 9lt - 139056

Install Crystal Modules & Weights *(Figure 3 - on following page)*

1. One crystal gripper (L) on each crystal module (V) will be marked with a (+) label.
2. The cover plate (B) is marked over the cables (I) with (+) and (-) labels. Align crystal gripper (L) with the (+) label on a (+) cable.
3. Slide crystal module (V), plunger end first, up appropriate cables (I). Repeat with remaining crystal modules (V) and locate in desired orientation.

Note: Be sure (+) crystal grippers are on a (+) cable.

4. If crystal module (V) needs to be lowered, push in on the plunger to release cable, hold in, and move crystal module (V) to desired location.

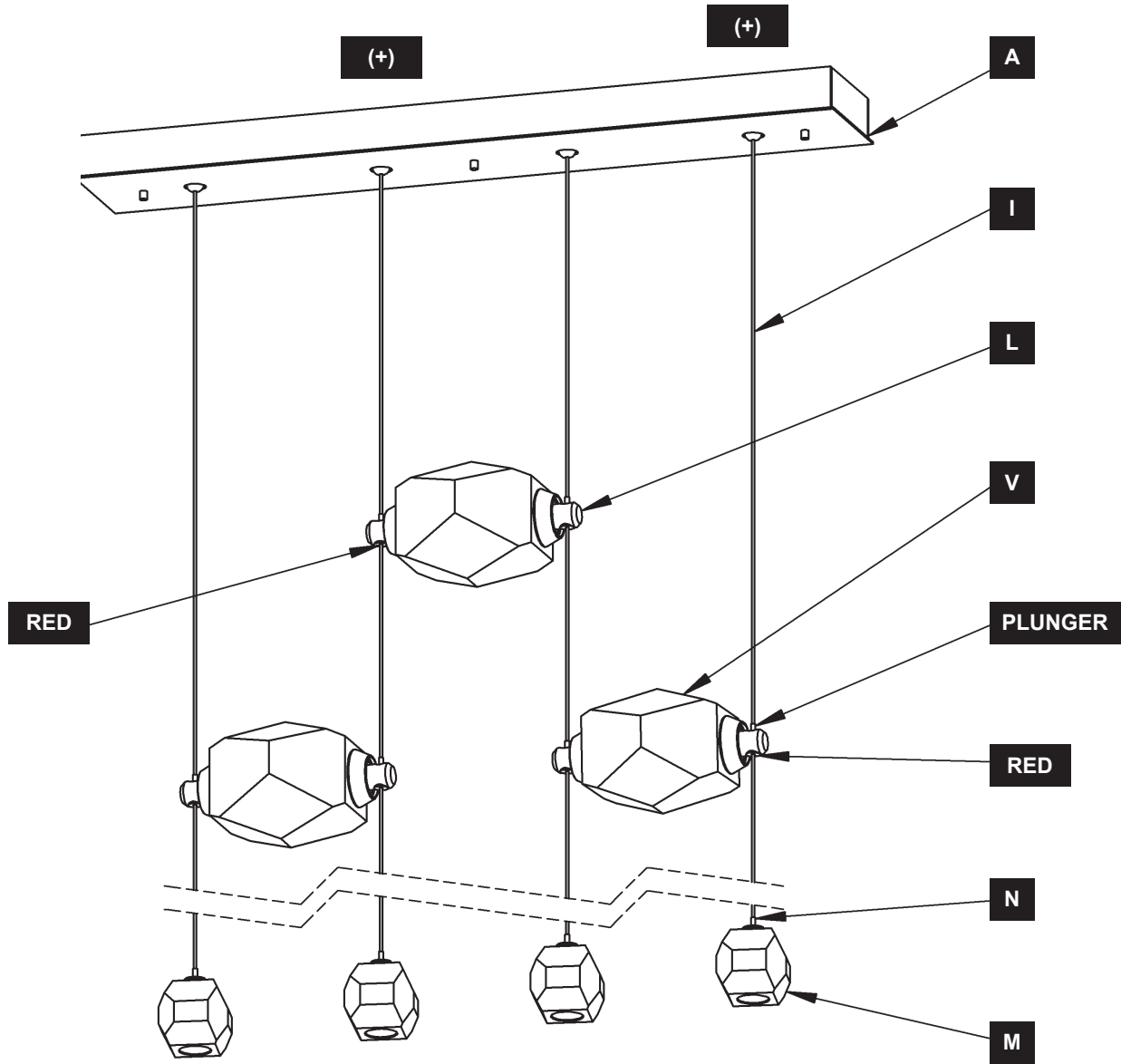
If mounting to floor, skip remaining steps and follow instructions on Page 8.

5. Install crystal weights (M) onto ends of cable (I) by pushing plunger end of weight gripper (N) onto cable to desired location.
6. Cut cables (I) to desired heights, as close to bottom of crystal weight as possible.
7. Lower crystal weight (M) by pushing in on the plunger to release cable, hold in, and move crystal weight (M) down until end of cable (I) is hidden inside.
8. Repeat for remaining crystal weights (M).
9. Restore electricity at main breaker.

ASSEMBLY & INSTALLATION INSTRUCTIONS

A899

Gatsby Pendant Floor to Ceiling 9ft - 139056



(Figure 3)

IMPORTANT NOTES:

- Additional Crystal modules (V) can be ordered individually. Contact the dealer from which you purchased this product for more information.
- Due to electrical components included with this fixture, the maximum number of glass ball modules allowed is (14).
- If more than (14) glass ball modules are desired, please contact dealer about a custom fixture

Gatsby Pendant Floor to Ceiling 9lt - 139056

Install Optional Floor Mounting Plate (Figure 4)

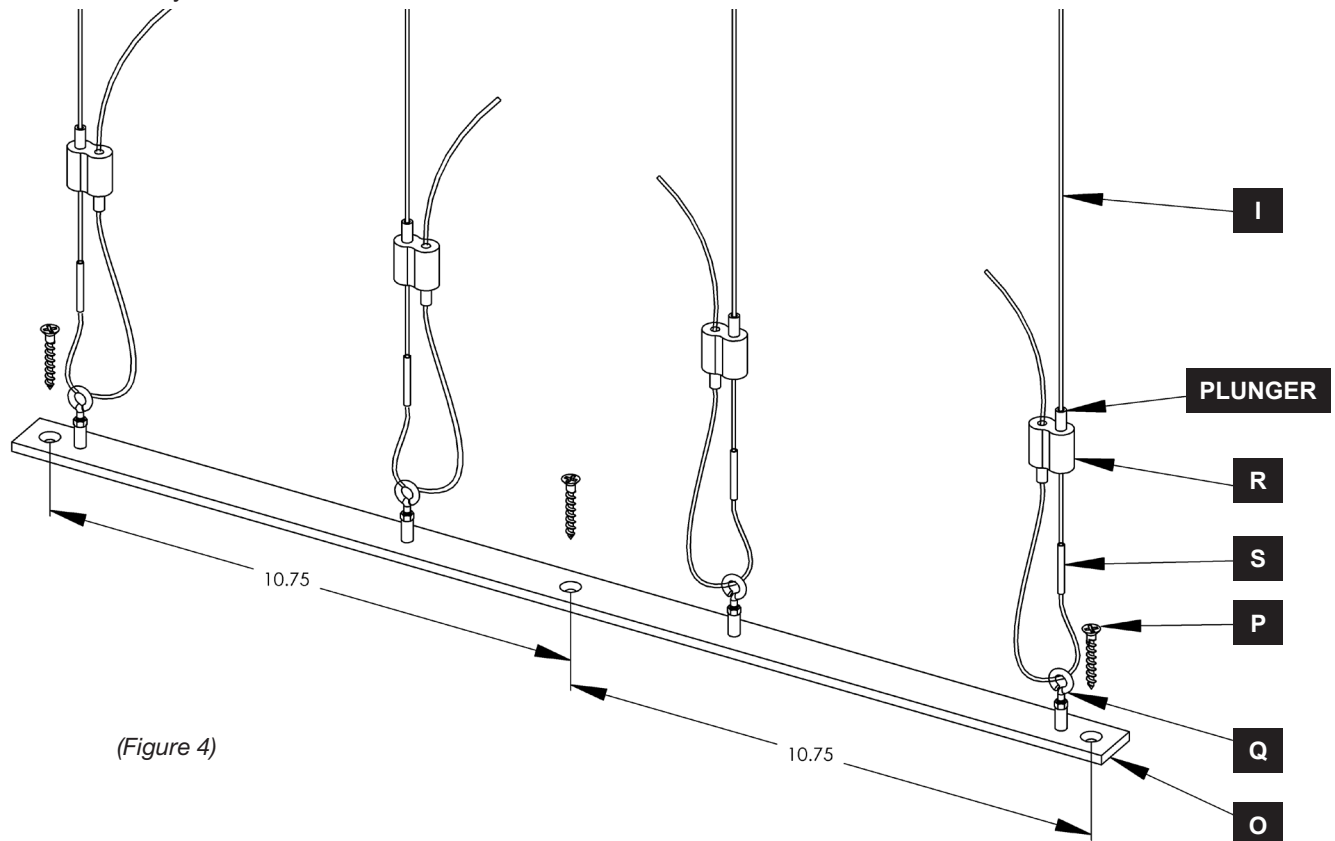
1. Locate floor plate (O) in packaging. Wood screws (P), base grippers (R) and clear tubing (S) will be found in kit bag.
2. Position floor plate (O) in desired location beneath fixture.
3. Using provided wood screws (P), secure floor plate (O) to the floor.

NOTE: WE'VE PROVIDED WOOD SCREWS. PLEASE GET IN TOUCH WITH A CONTRACTOR FOR OTHER FLOOR TYPES.

4. Slide end of cable (I) through one plunger on base gripper (R) and through clear tubing (S).
5. Run end of cable through eye hook (Q) on floor plate (O) and back through the opposite plunger on base gripper (R) as seen in Figure 4.
6. Position clear tubing (S) inside of eyehook (Q). Pull cable (I) tight.

CAUTION: FIXTURE MAY NOT LIGHT PROPERLY IF CLEAR TUBES (S) ARE NOT IN PLACE.

7. Repeat for remaining cables (I) and grippers (R). Position grippers (R) in desired location on cable (I).
8. Cut tail of cable (I) as close to base gripper (R) as possible.
9. Restore electricity at main breaker.



If you need further assistance, or find that you are missing any parts, please contact the dealer from which you purchased this product. We hope you enjoy your fixture!

*** Hubbardton Forge will not be liable for injury or damage caused by improper installation, lamping or use of this fixture.**