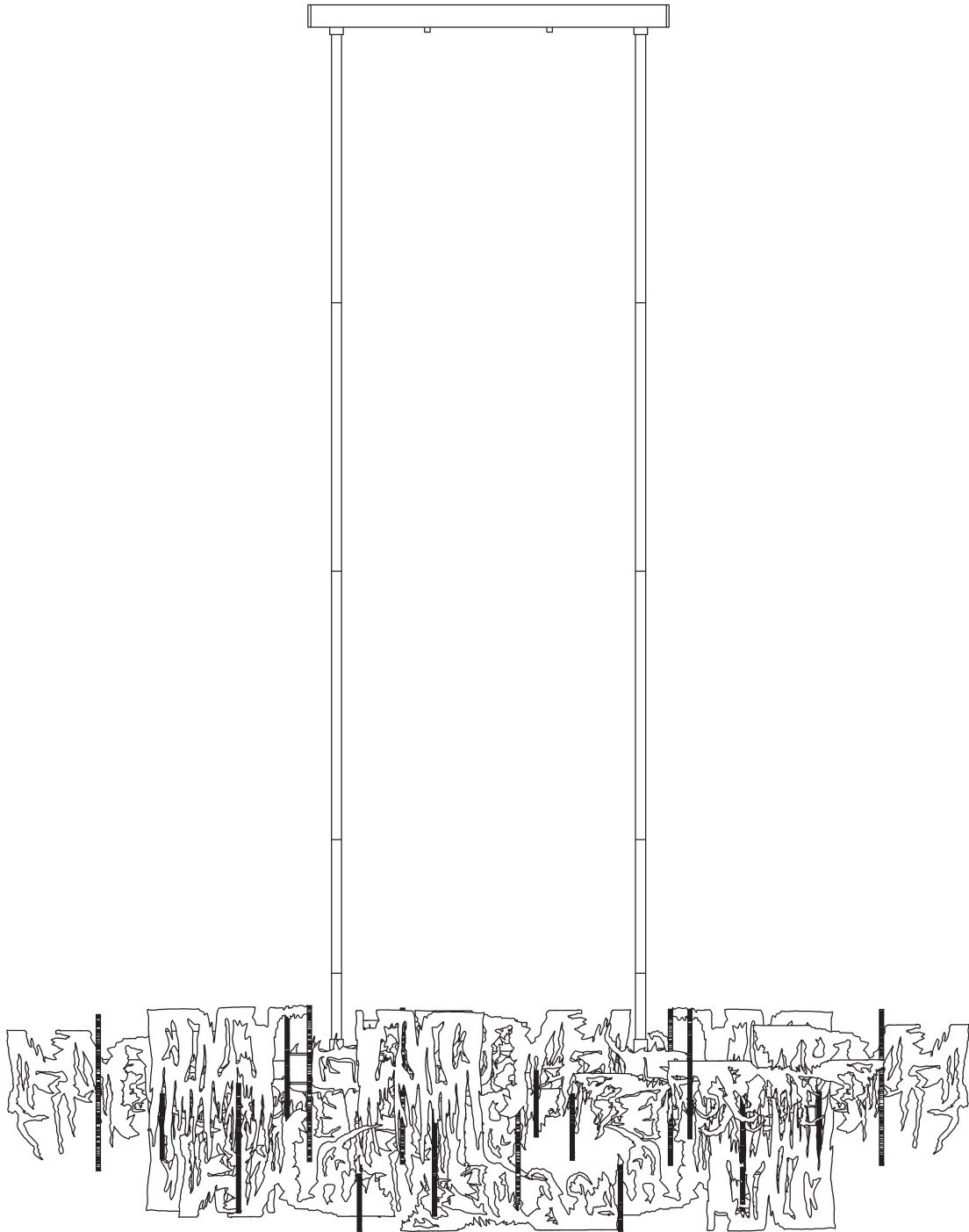


ASSEMBLY & INSTALLATION INSTRUCTIONS

A515

BRUTUS PENDANT 401310



HUBBARDTON FORGE.

MODERN AMERICAN BLACKSMITHS | FINE, HAND CRAFTED LIGHTING
CASTLETON, VERMONT USA | HUBBARDTONFORGE.COM

39831 Rev A

1 OF 8

Component Parts

- A Fixture**
- B Fixture Coupling (2)**
- C 3" Fixture Pipe (2)**
- D 6" Fixture Pipe (2)**
- E 12" Fixture Pipe (6)**
- F Stem Nipple (12)**
- G Bracket (2)**
- H Lock Washer (2)**
- I Hex Nipple (2)**
- J Canopy Coupling (2)**
- K Canopy**
- L #10 Wood Screw (4)**
- M Anchor (4)**
- N Ground Screw**
- O Cupped Washer**
- P Canopy Cover Plate**
- Q Hex Nut (8)**
- R Threaded Standoff (2)**
- S Knob (2)**
- T Socket (4)**
- U Bulb (4) - Included**



ASSEMBLY & INSTALLATION INSTRUCTIONS

A515

BRUTUS PENDANT 401310

CAUTION: FAILURE TO INSTALL THIS FIXTURE PROPERLY MAY RESULT IN SERIOUS PERSONAL INJURY OR DEATH AND PROPERTY DAMAGE. We recommend installation by a licensed electrician. This product must be installed in accordance with applicable installation code(s), by a person familiar with the construction and operation of the product and the hazards involved.*

Caution: Do not exceed maximum wattage noted on fixture. Use only recommended bulbs with fixture.

ASSEMBLE AND ATTACH FIXTURE PIPES TO FIXTURE (Figure 1)

1. Carefully unpack the fixture (A) from the carton.
2. Locate fixture pipes (C, D, E), fixture (A), canopy coupling (J) and stem nipples (F). Nipples (F) can be found in the kit bag.
3. Provided are multiple fixture pipes in three different lengths. Choose the combination that will achieve the overall height desired. Refer to the table below to determine the pipes required to reach the desired overall height. Once you have determined the components necessary, feed the wires that exit fixture couplings (B) through the individual components. Wires will slip easier through loose components than through pipes and couplings that are pre-assembled. Once wires are run, apply thread locking compound to all the connection points and assemble the pipes and nipples.

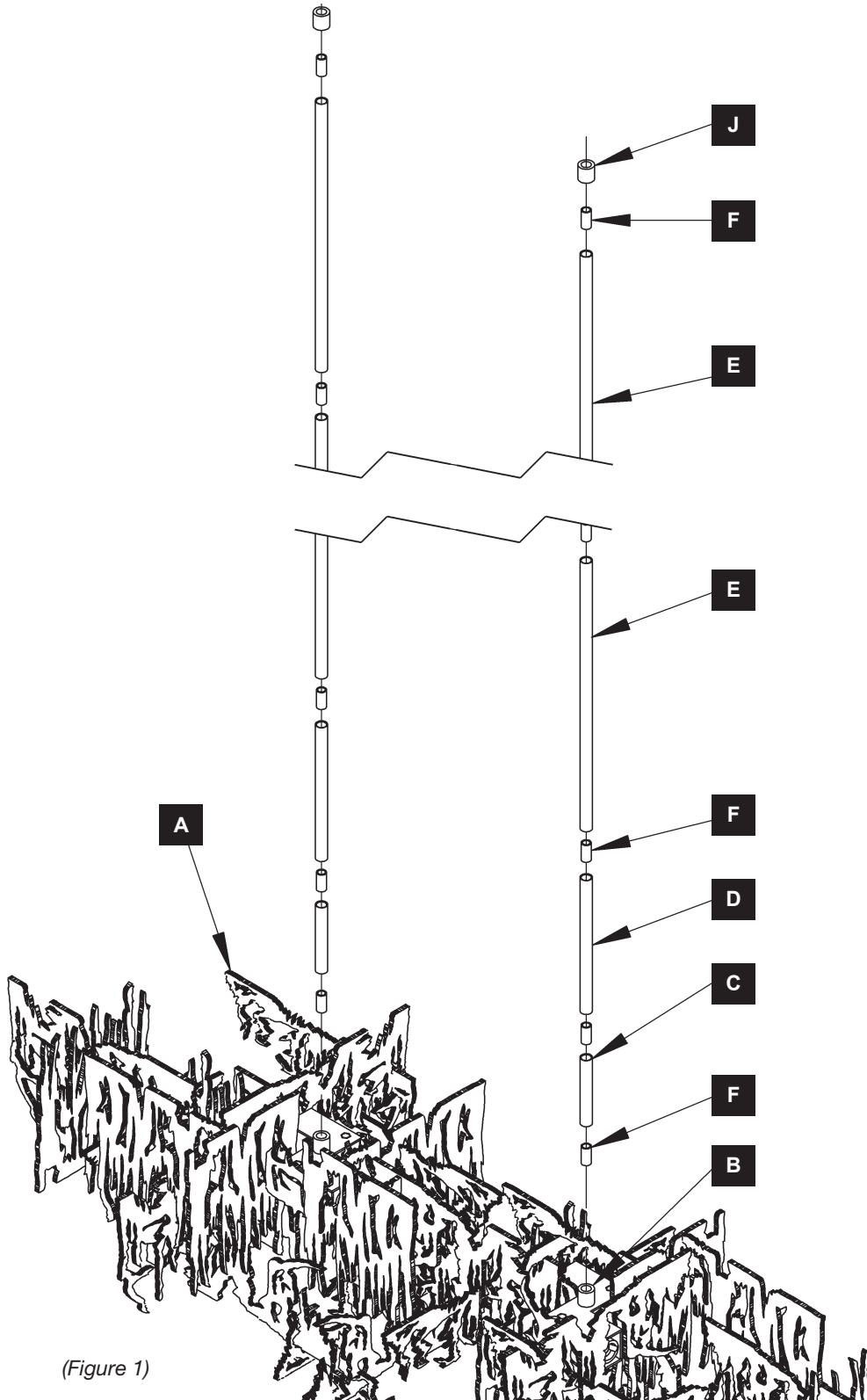
		15.9	18.9	21.9	24.9	27.9	30.9	33.9	36.9	39.9	42.9	45.9	48.9	51.9	54.9
# of Pipes Required	3" Pipe (J)		2		2		2		2		2		2		2
	6" Pipe (K)	2	2			2	2			2	2			2	2
	12" Pipe (L)			2	2	2	2	4	4	4	4	6	6	6	6

4. Apply a drop of the supplied thread locking compound to the internal threads of the fixture coupling (B).
Note: Application of the thread locking compound is necessary to prevent the stem from loosening during regular maintenance and cleaning of the fixture. Be certain to apply the compound.
5. Screw assembled pipes, into fixture couplings (B).
6. Apply a drop of the supplied thread locking compound to the internal threads of the canopy coupling (J).
7. Thread canopy coupling (J) onto stem nipple (F).

ASSEMBLY & INSTALLATION INSTRUCTIONS

A515

BRUTUS PENDANT 401310



(Figure 1)



HUBBARDTON FORGE.

MODERN AMERICAN BLACKSMITHS | FINE, HAND CRAFTED LIGHTING
CASTLETON, VERMONT USA | HUBBARDTONFORGE.COM

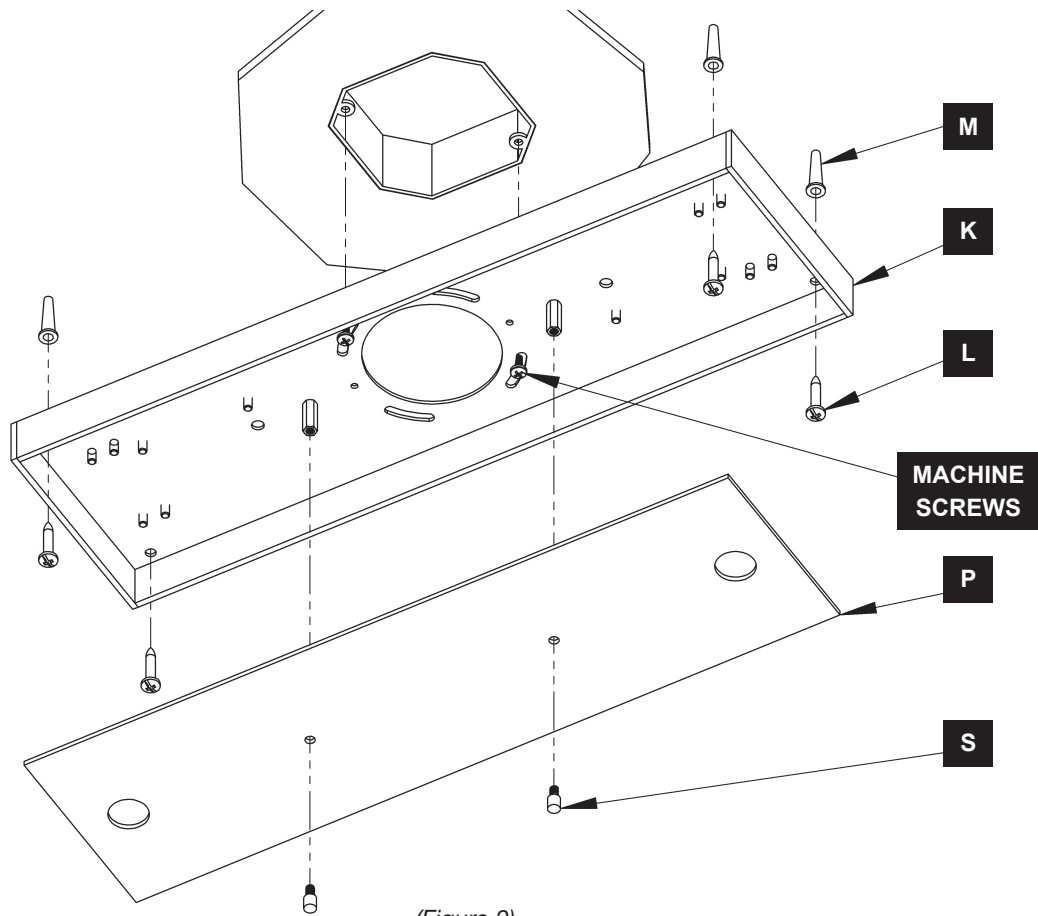
39831 Rev A

4 OF 8

BRUTUS PENDANT 401310

ATTACH CANOPY TO CEILING *(Figure 2)*

1. Remove knobs (S) and canopy cover plate (P). Set aside for later use.
2. Center the canopy (K) over the electric box. With a pencil, mark the location of desired mounting positions on the ceiling. Set canopy (K) aside.
3. Drill 1/4" holes in the locations marked on the ceiling. For holes using anchors (M), place the tapered end of anchor (M) into the hole and gently tap them flush to the ceiling using a light weight hammer.
4. Thread the wires in the electrical box through the hole in the canopy (K) while moving into position over electrical box.
5. Using machine screws (not provided), attach canopy (K) to electrical box.
Note: A new electric box comes with screws. When replacing a fixture, retain the existing screws for use with the new fixture.
6. Install #10 screws (L) through canopy (K) and into anchors (M). Be careful not to overtighten or strip anchors (M).



(Figure 2)

ASSEMBLY & INSTALLATION INSTRUCTIONS

A515

BRUTUS PENDANT 401310

TO COMPLETE INSTALL *(Figures 3 & 4)*

1. Slide canopy cover plate (P) over wires and assembled pipes until it rests on fixture (A).
2. Slide brackets (G), lock washer (H) and hex nipple (I) over wires.
3. Attach brackets (G) to canopy coupling (J) using lock washer (H) and hex nipple (I).
4. Raise fixture (A) towards canopy (K). Slip brackets (G) over studs and secure with (4) hex nuts (Q) per bracket.
5. Attach a pigtail lead to the canopy (K) using the provided ground screw (N) and cupped washer (O), found in kit bag.
6. Using suitable wire connectors (not provided), connect fixture wires to supply wires (White to white and black to black). Connect all ground wires (bare copper or green to bare copper or green) together.

CAUTION: MAKE SURE WIRE CONNECTORS ARE TWISTED ON SECURELY, AND NO BARE WIRE IS EXPOSED.

7. Push wires into electrical box.
8. Raise canopy cover plate (P) and secure with knobs (S) into threaded standoffs (R).

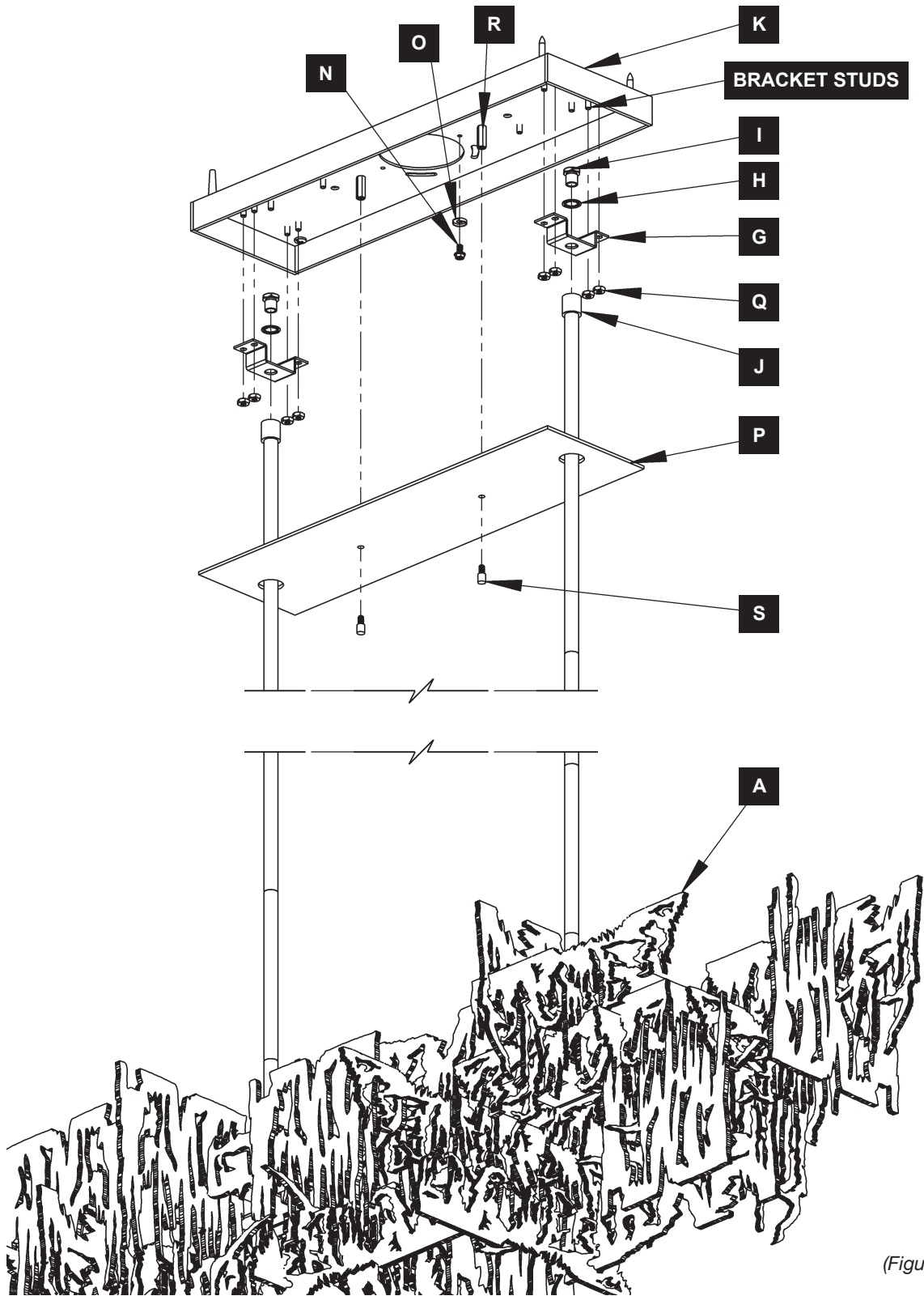
NOTE: Be sure no wires or cables are pinched between cover plate and canopy.

9. Locate bulbs (U) (provided).
10. Install bulbs (U) into sockets (T). (Figure 4)
11. Restore electricity at main breaker.

ASSEMBLY & INSTALLATION INSTRUCTIONS

A515

BRUTUS PENDANT 401310



(Figure 3)



HUBBARDTON FORGE.

MODERN AMERICAN BLACKSMITHS | FINE, HAND CRAFTED LIGHTING
CASTLETON, VERMONT USA | HUBBARDTONFORGE.COM

39831 Rev A

7 OF 8

ASSEMBLY & INSTALLATION INSTRUCTIONS

A515

BRUTUS PENDANT 401310



(Figure 4)

If you need further assistance, or find that you are missing any parts, please contact the dealer from which you purchased this product. We hope you enjoy your fixture!

**** Hubbardton Forge will not be liable for injury or damage caused by improper installation, lamping or use of this fixture.***