

## Included Components

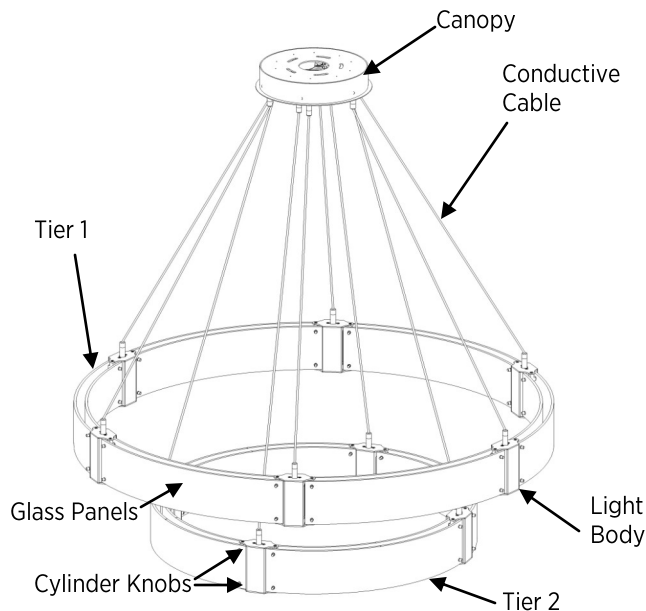
- Hardware Packet X, with Instructions
- Glass Panels (QTY:20)
- Canopy
- Coax Conductive Cable (QTY:10)
- Coax Conductive Cable, Practice Section (QTY:1)
- Light Body (QTY:10)
- Cylinder Knobs with All Thread (QTY:80)
- Silicon washers (QTY:160)

## Required Tools

- Philips screw driver (not provided)
- Wire strippers (not provided)
- Cable Cutters (not provided)
- Measuring tape (not provided)

# STOP!

Please read these instructions carefully and watch the instruction video before you start. Use the link or QR code in the bottom right hand side of these instructions.

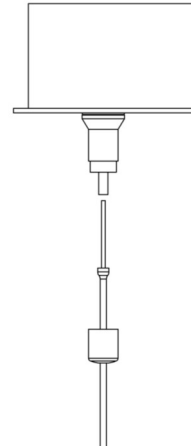
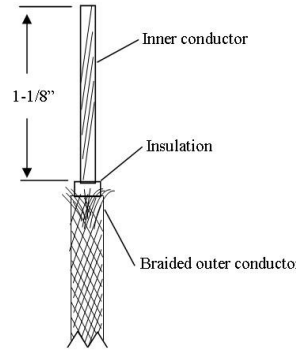


## Assembly Instructions

**Step 1:** Cut conductive cables for both tiers to desired length using **cable cutters**, not wire cutters or diagonal cutters. Failure to use cable cutters will result in the inner conductive cable not being cut cleanly. Note the cable will be inserted into the grippers. See OAH Chart for reference while determining the cut length.

**Step 2:** Connect conductive cable's to the canopy. Tier 2 connects to the four inner canopy connections and Tier 1 to the six outer canopy connections. **Use the included practice section of the coax conductive cable until you feel confident installing the cable.**

- Mark the conductive cable 1-1/8" from both ends.
- Unscrew the Cap from the cable gripper and slide it over the conductive cable.
- Cut the outer sheathing and insulator with a **16 Ga. Wire stripper**. Open the stripper, rotate 90° and repeat until sheathing is completely cut.
- Strip the wire by wrapping the cable around your hand and using a **14 Ga. Wire Stripper**.
- Flare out the outer braided sheathing so that it will lay on the outside of the nipple on the cable gripper
- Insert the cable into the gripper until it bottoms out. The insulator will go into the gripper while the outer sheathing will lay over the outside of it.
- Secure the cap back onto the gripper. **Be careful when tightening the cap not to cut the outer sheathing.**
- Smooth out sheathing by pinching the cable and pulling away from the gripper.

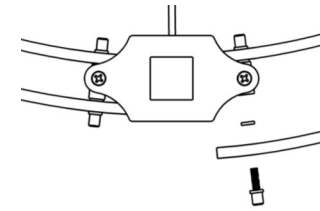


**Step 3:** Mount Canopy to the J-Box by first removing the Cover Plate, unscrew the flat head screws (QTY:2). Secure canopy to building structure. See included mounting instructions. Make wire connections to source power and replace cover plate.

**Step 4:** Verify cables are all the right height. Then repeat step 2 to mount the light body's to the conductive cable. **Light bodies of each tier should hang at the same height, adjust if needed.**

**Step 5:** Install glass panels onto light bodies of Tier 1.

- Place one silicon washer on each cylinder knob with all thread
- Attach the all thread to the glass panels, by inserting them through the holes in the glass and inserting a second silicon washer onto the all thread . **NOTE: Cylinder knob must be the outside surface of the glass. (Smooth on granite. Textured on Rimelight)**
- Install glass onto light bodies. Align all thread with



**Note:** The phillips head screws shown in the above image are used to tighten/loosen the glass mounting brackets.

Repeat Step 5 for Tier 2

## Overall Height Chart

Use this chart as a reference to determine the cut length of the conductive cable. Lengths are in inches.

Tier 1		Tier 2	
OAH	Cable	OAH	Cable
30	30 2/16	40	34 14/16
40	38 1/16	50	44 7/16
50	46 13/16	60	54 2/16
70	65 8/16	80	73 13/16
90	84 13/16	100	93 9/16
105	99 7/16	115	108 8/16
115	109 5/16	125	118 7/16

## Troubleshooting Guide

- If one of the light bodies does not light up, disconnect power to fixture immediately and rewatch video.
- If glass is sagging, ensure that there are silicon bushings installed in the glass.

**Installation Help:** Please scan the QR code or follow the URL to see our installation help page. This page includes a video walkthrough of how to wire the conductive cable.



<http://hammertonstudio.com/installation-help>

## About Hammerton Studio

### HAMMERTON STUDIO

In 2013, the Hammerton Studio brand was created to offer artisan-crafted, contemporary design solutions that are both versatile and accessible. Hammerton Studio fixtures add contemporary distinction to entries, great rooms and master suites, yet are cost-effective enough to use throughout any residential or commercial projects. Like all Hammerton fixtures, they are designed and fabricated in Salt Lake City, Utah using domestically sourced materials.

### POWERFUL DESIGN

Since 1992, Hammerton has been known for extraordinary decorative lighting that is boldly designed, expertly rendered, perfectly proportioned and exquisitely detailed. Each fixture exudes a design aesthetic that is timeless and enduring, yet remarkably relevant.

### UNCOMPROMISING CRAFTSMANSHIP

In addition to their exceptional metalworking and finishing expertise, Hammerton artisans share an aesthetic eye and a sculptural talent that define the difference between ordinary and extraordinary craftsmanship. Every fixture demonstrates its artisan's ability to elevate craft to an art form.

### UNIQUE MATERIALS

Our heritage is in metal fabrication, but our passion is design. As a result—and unlike most of our peers—we work in a broad palette of materials: steel and aluminum, blown, kiln-fired and lampworked glass, acrylics, mica, stone, rawhide, woods and much more. Seamless integration of these capabilities is the "secret sauce" that drives our industry leadership as the premier U.S. based custom lighting manufacturer.

### A REPUTATION REFLECTED BY OUR CLIENTS

Hammerton fixtures are as extraordinary as the clients who purchase them, including Forbes 400 members, Fortune 500 leaders, award-winning entertainers, fashion and interior designers, sports legends, and leading luxury hospitality brands.

Hammerton  
217 Wright Brothers Drive  
Salt Lake City, UT  
84116

801-973-8095  
info@hammerton.com  
www.hammerton.com

## Warranty

### ONE YEAR LIMITED WARRANTY

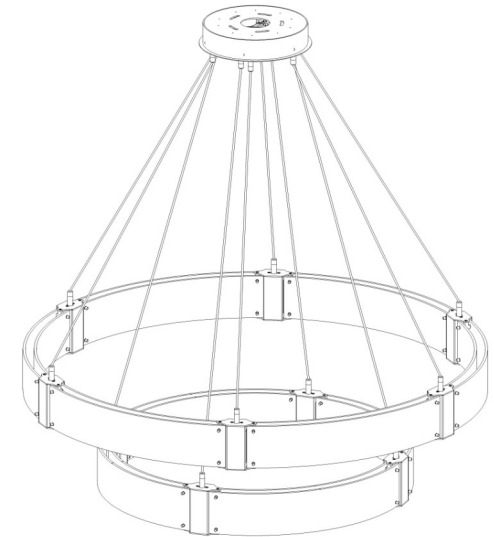
Hammerton, Inc. (Hammerton) warrants the original owner that this product will be free of defects in material or workmanship for the period of one year from the date of original purchase from Hammerton, if (i) the allegedly defective product has not been abused, misused or improperly maintained and or repaired during the warranty period, (ii) the defect is not caused by water damage/flooding, fire, explosion, earthquakes or similar phenomenon, and (iii) the defect is not caused by improper installation (unless installed by Hammerton). In order to obtain warranty service, the user must first complete a warranty claims form. Hammerton will determine if the product will be inspected on site or returned to Hammerton. If after the inspection Hammerton finds that the product is defective as claimed, Hammerton will, at its option, repair or replace the product free of charge, or Hammerton may in its sole discretion, refund the purchase price. Hammerton warrants any replaced or repaired products for ninety days after shipment or through the end of the original warranty period, whichever is longer. All products or parts that are replaced become the property of Hammerton. No representative or employee of Hammerton is authorized to make any modification or addition to this limited warranty.

TO THE FULL EXTENT ALLOWED BY LAW, THE FOREGOING WARRANTY AND REMEDIES ARE EXCLUSIVE, AND HAMMERTON EXPRESSLY DISCLAIMS ALL OTHER WARRANTIES, EXPRESSED OR IMPLIED, INCLUDING WITHOUT LIMITATION THE IMPLIED WARRANTIES OF MERCHANTABILITY AND FITNESS FOR A PARTICULAR PURPOSE. TO THE FULL EXTENT ALLOWED BY LAW, HAMMERTON EXCLUDES AND DISCLAIMS LIABILITY, WHETHER BASED IN CONTRACT OR TORT (INCLUDING NEGLIGENCE FOR ANY CONSEQUENTIAL, INDIRECT INCIDENTAL OR SPECIAL DAMAGES OF ANY NATURE ARISING OUT OF THE SALE INSTALLATION, MAINTENANCE, USE OR FAILURE OF THIS PRODUCT, EVEN IF HAMMERTON HAS BEEN ADVISED OF THE POSSIBILITY OF SUCH DAMAGES IN ADVANCE, AND HAMMERTON LIMITS ITS LIABILITY TO REPLACEMENT, REPAIR OR REFUND OF THE PURCHASE PRICE PAID, AT HAMMERTON'S OPTION.) SOME STATES DO NOT ALLOW LIMITATIONS ON HOW LONG AN IMPLIED WARRANTY LASTS AND/OR DO NOT ALLOW THE EXCLUSION OR LIMITATION OF INCIDENTAL OR CONSEQUENTIAL DAMAGES, SO THE ABOVE LIMITATION ON IMPLIED WARRANTY AND INCIDENTAL OR CONSEQUENTIAL DAMAGES MAY NOT APPLY TO YOU. THIS WARRANTY GIVES YOU SPECIFIC LEGAL RIGHTS YOU MAY HAVE OTHER RIGHTS, WHICH VARY FROM STATE TO STATE

# HAMMERTONSTUDIO™

## Assembly Instructions LED, Parallel Glass Chandeliers

CHB0042-2B



## STOP!

Please read these instructions carefully and watch the instruction video before you start. Use the link or QR code found in these instructions to navigate to the video.

**WARNING: FAILURE TO INSTALL THIS FIXTURE PROPERLY MAY RESULT IN SERIOUS PERSONAL INJURY OR DEATH AND PROPERTY DAMAGE.**

It is recommended that this product be installed by a licensed electrician.

Rev 1  
41-001-00023