

General Product Information

This product is suitable for indoor dry and damp locations only.

Junction Box Requirements: This fixture can be mounted to most standard junction boxes. It is the installer's responsibility to ensure that the site conditions, junction box, and fasteners used are suitable to support the weight of the fixture.

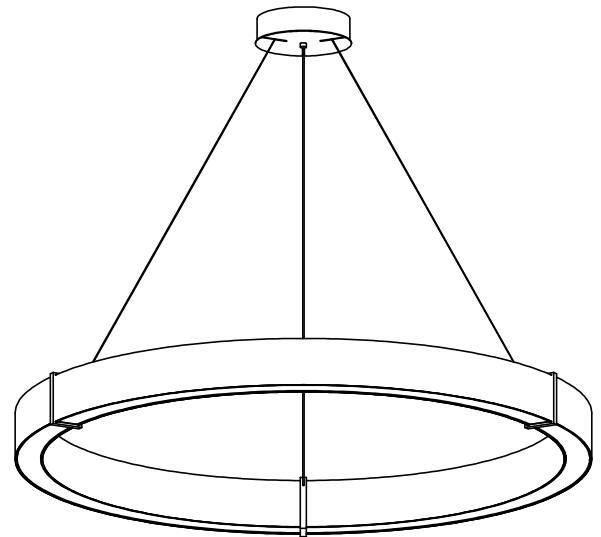
Fixture can be dimmed with TRIAC, ELV, or 0-10V dimming at 120 VAC input.

For 240 or 277 VAC input, fixture is only dimmable with 0-10V dimming.

Damage due to incorrect connections can be detected at the factory and is not covered under warranty.

CAUTION - RISK OF FIRE

This product requires installation by a qualified electrician. Before installing be sure to read all instructions and **TURN POWER OFF TO THE JUNCTION BOX**

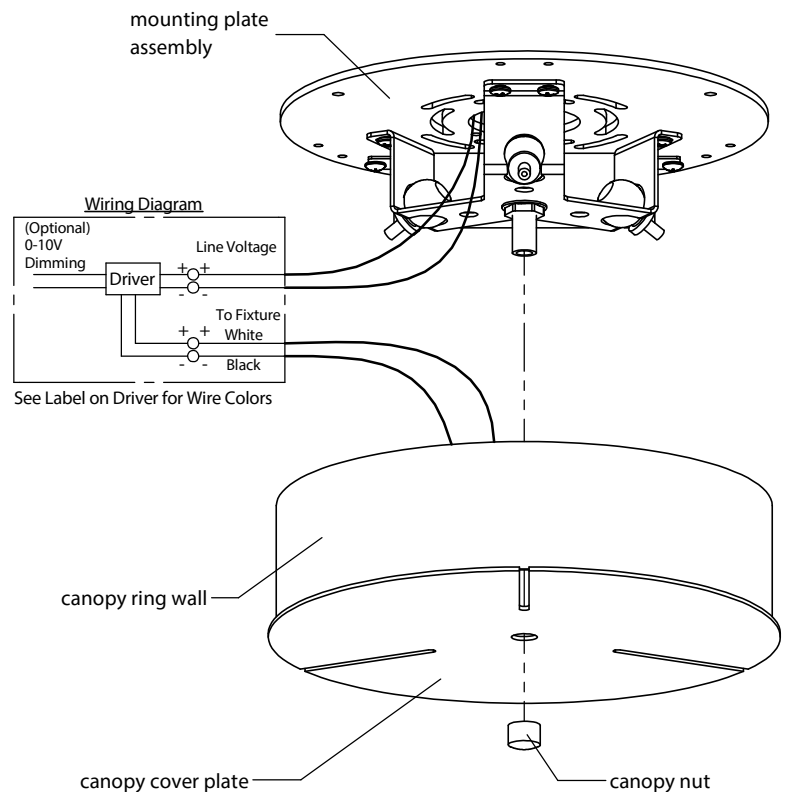


Canopy Installation

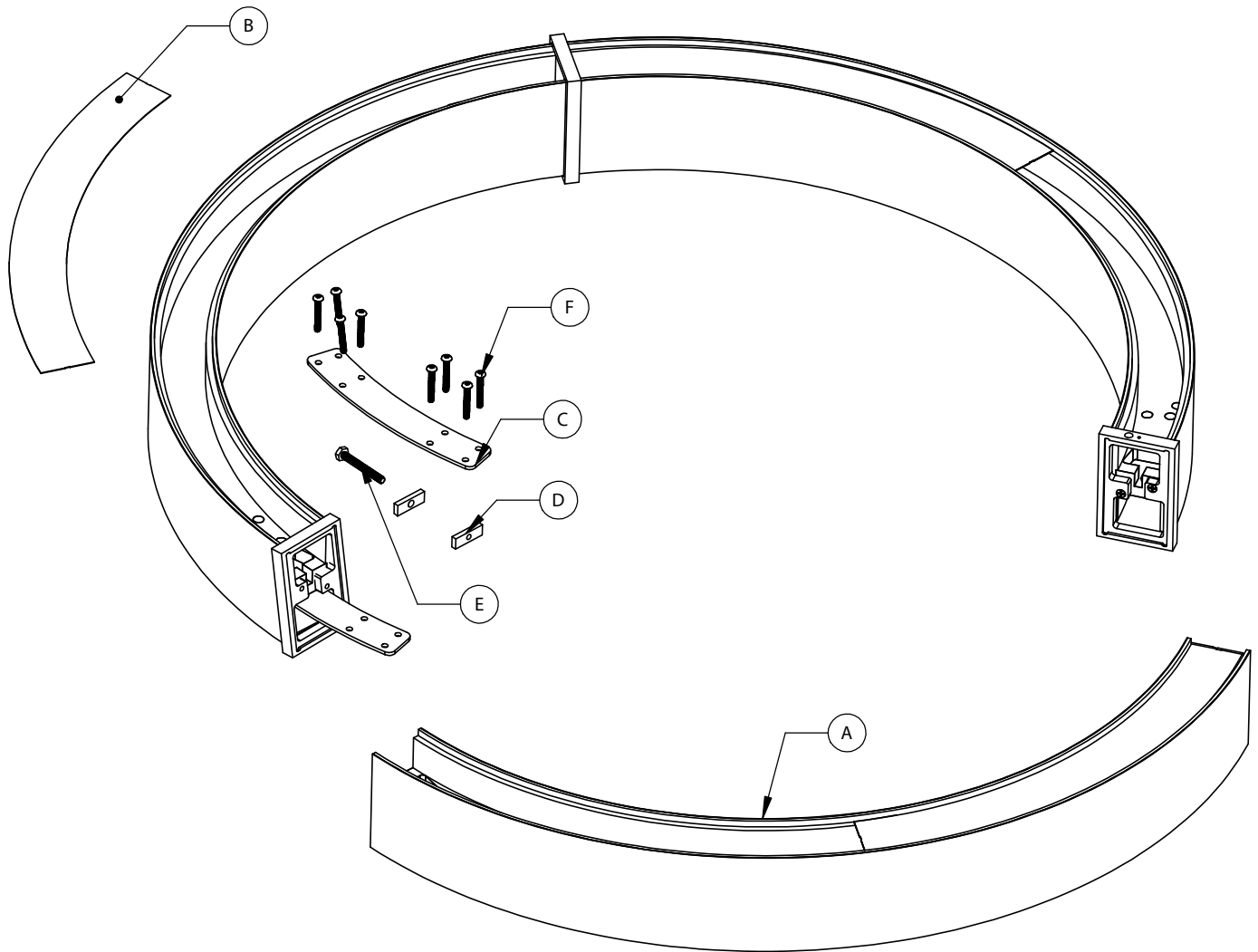
- 1 Install the mounting plate assembly to junction box using the supplied 8-32 screws.
- 2 For 4ft and 5ft ONLY, see Pg. 3 for instructions on the wood ring assembly.
- 3 Feed the suspension cables from the fixture into the cable grippers in the canopy until the desired height and leveling are achieved.
- 4 Wrap the clear SPT-1 power cable around the suspension cable and pull taught so there is no slack in the cable.
- 5 Make electrical connections as shown in the wiring diagram using wire nuts.

CRITICAL NOTE: If 0-10V dimming control is to be used, connect the 0-10V driver output leads to the 0-10V dimmer. Otherwise, the tinned ends of these leads should be snipped off and the leads should be capped individually such that they remain isolated from one another.

- 6 Slip the canopy ring wall and cover up onto the canopy and secure with the canopy nut.



Redeo Assembly Parts List		
Item	Description	QTY
A	Wood Ring Segment	3
B	Top Covers	6
C	Connector Bracket	3
D	Draw bolt plate	3
E	Hex Head Screw, 1/4-20 Thread, 2in Length	3
F	Socket Cap Screw, 10-32 x 1.375"	24



Wood Ring Assembly (4ft and 5ft)

- ① Carefully push the segments together and be **EXTREMELY CAUTIOUS** to not hit the LED strip.

CRITICAL NOTE: The segments and diffusers MUST BE WELL SEATED in the seam plate before continuing onto the next steps.

- ② Place the hex head screw and the draw bolt plates in the pockets to hold the segments together. Tighten the screw to draw the plates together aligning the segment.

CRITICAL NOTE: Rotate between each of the joints, tightening each hex head screw a little bit at a time to make sure the segments align evenly at each of the joints. DO NOT fully tighten one joint before moving to the next.

- ③ Overlap the bracket with the eight holes on the segments and use the button head screws to secure the segments together.
- ④ Feed your cords out through the hole on the seam plate.
- ⑤ For wire connections, follow the indicators on the labels.
- ⑥ Insert the top covers into the top of the segments.

