

CRYSTORAMA LIGHTING



ASSEMBLY INSTRUCTION MODEL# ADD-405-AG-AM

IMPORTANT: Power to the fixture must remain **OFF** throughout the entire installation process and must not be restored until all glass heads have been fully installed to prevent damage to the LED components.

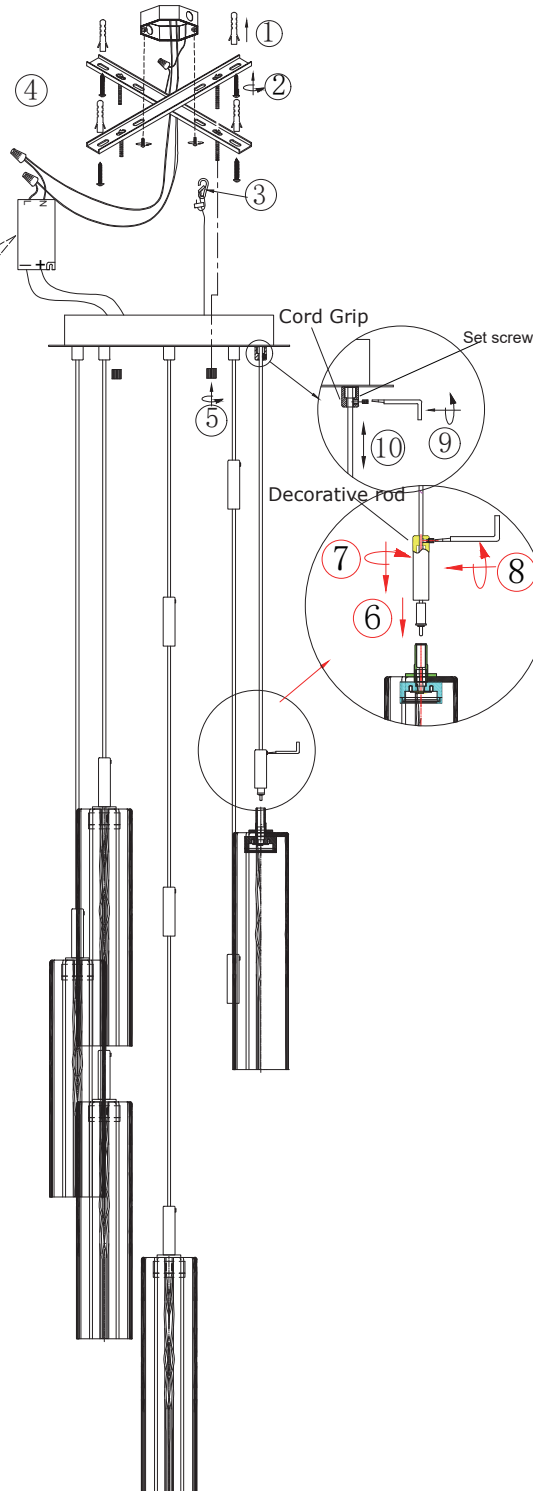
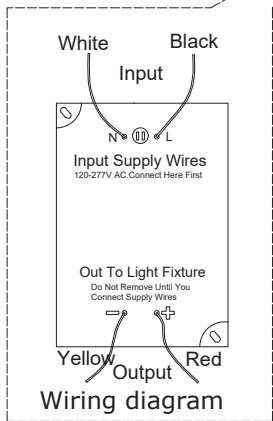


All electrical components must be installed by a licensed electrician in accordance with the National Electric Code and the appropriate local electrical codes.



You will need 9-3 Watts Intergrated LED module (included)

This fixture is Damp rated

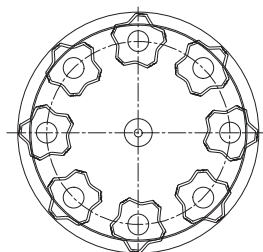


How to install

- Each fixture wire is pre-set at the fixed length for shipping. If the wire needs to be adjusted at the desired length, please loosen the set screw on the side of the cord grip underneath the canopy. Once the adjustment is completed, please tighten the set screw and cut the excess wire and re-connect the wires onto the driver as shown on the wiring diagram.
- Place the mounting plate over the outlet box and mark four points on the ceiling at the same distance as between the holes on the mounting plate.
- Drill the holes at the marked points and insert the anchors into it.
- Attach the mounting plate onto the outlet box and secure with the anchor screws.
- Raise the canopy up over the mounting plate and hang it onto the tab on the mounting bracket as shown using two cable wires on the side of canopy.
- Make electrical connections from the supply wires to the drivers as shown. Once all wire connections are completed, raise the canopy to cover the outlet box and secure it with the cap nuts. Leave power to the fixture OFF until all glass heads have been fully installed.
- Install the glass onto the wire as illustrated on the glass distribution diagram. Here is how to install the glass:
Loosen the set screw on the decorative rod at the end of the wire. Slide the decorative rod upward to expose the male plug. Insert it into the female plug on the top of the glass. Twist the decorative tube to secure it onto the glass. Then tighten the set screw.

Glass Sets

- 1.9 pcs Amber Glass(D2.75 x H12")



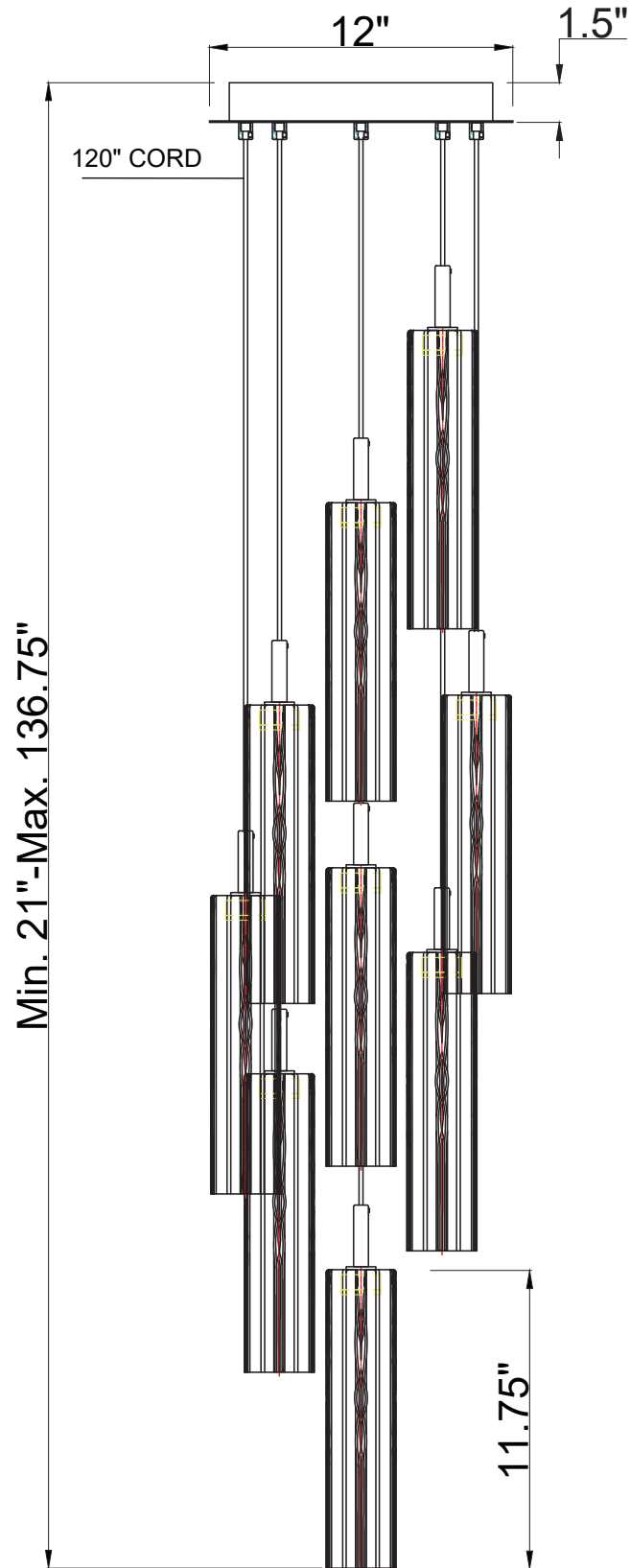
Glass Distribution


WARNING: This product can expose you to Lead which is known to the state of California to cause cancer and/or birth defects or reproductive harm. For more information go to www.P65Warnings.ca.gov

CRYSTORAMA LIGHTING



ASSEMBLY INSTRUCTION MODEL# ADD-405-AG-AM

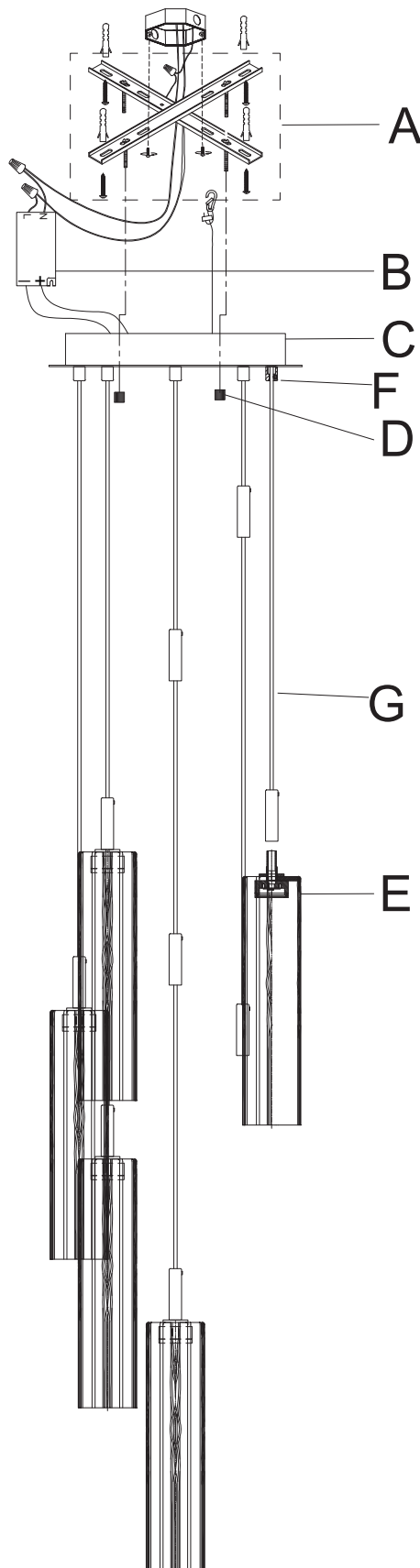


 **WARNING:** This product can expose you to Lead which is known to the state of California to cause cancer and/or birth defects or reproductive harm. For more information go to www.P65Warnings.ca.gov



Part Number

Part Numbers



- A. Mounting hardware includes
 - (4)-Mounting screws
 - (1)-Mounting bar
 - (4)-Hex.nuts
 - (4)-Wood screws
 - (4)-Plastic anchors
- B.(1)-LED driver
(XBN405DRIVER)
- C.(1)-Canopy,D12 x H1.5"
(XBN405AGCAN12IN)
- D.(4)-Cap nuts
(XBN405AGCAP)
- E.(9)-Amber glass(D2.75 x H12")
(XBN405AGAMGLA12IN)
- F.(9)-Cord grip
(XBN405AGGRIP)
- G.(9)-Cord
(XBN405AGCORD)