

Installation Instructions

For Sweeping Taper 20-4529E & 20-4529F

B229

Page 1 of 2

CAUTION: FAILURE TO INSTALL THIS FIXTURE PROPERLY MAY RESULT IN SERIOUS PERSONAL INJURY OR DEATH AND PROPERTY DAMAGE. We recommend installation by a licensed electrician.

This product must be installed in accordance with applicable installation code(s), by a person familiar with the construction and operation of the product and the hazards involved.*

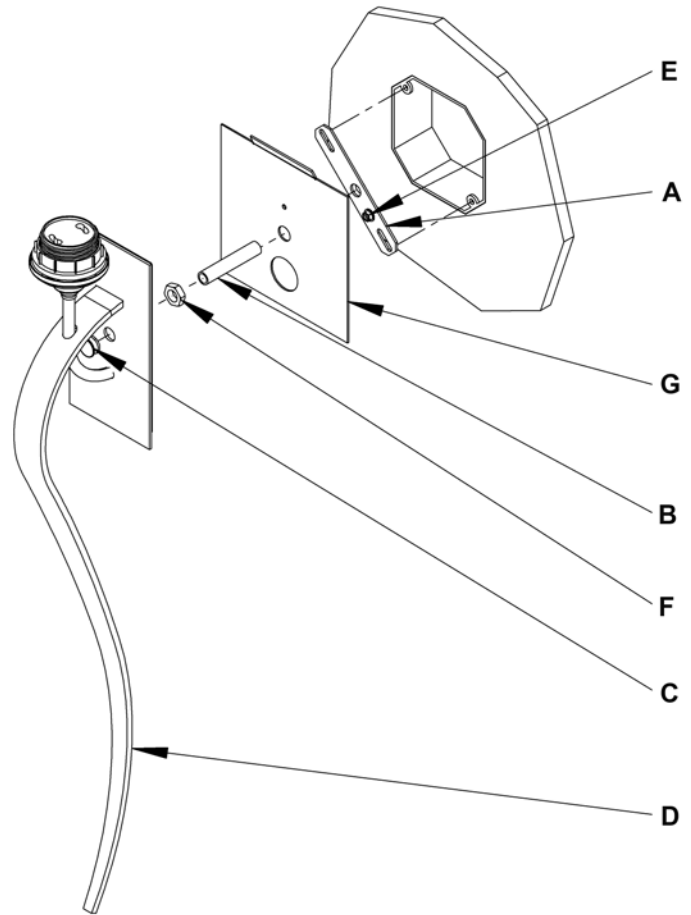
Caution: Do not exceed maximum wattage noted on fixture. Use only recommended bulbs with fixture.

Caution: This fixture is designed to be mounted on a standard wall surface and may not be suitable for all applications. If installing in a non-wood frame application, we recommend consulting a qualified builder or electrician.

To Mount Fixture to Wall (Figure 2)

Component Parts

- A Crossbar
- B Nipple
- C Threaded Cap
- D Fixture Assembly
- E Ground Screw
- F Lock Nut
- G Wall Plate



(Figure 1)

Caution: Be sure power is off at the main breaker box prior to installation.

1. Carefully unpack the fixture from the carton.
2. Using two machine screws (not provided), fasten the crossbar (A) to the electric box making sure crossbar is level. **Note: A new electric box comes with screws. When replacing a fixture, retain the existing screws for use with the new fixture.**
3. Thread the nipple (B) into the crossbar (A). Adjust the nipple to proper length to ensure the fixture will fit snugly to the wall.
4. Orient the wall plate (G) so that the bent tab is at the top and bent away from the wall and slip onto nipple (B). The tab will fit into the back of the fixture to facilitate alignment.
5. Hold the fixture assembly (D) close to the wall and using suitable wire connectors, not provided, connect fixture wires to supply (white to white or ribbed and black to black or smooth). Run a pigtail lead from crossbar ground screw (E) to the junction box and connect all ground wires (bare copper or green to bare copper or green). **Caution: Make sure wire connectors are twisted on securely, and no bare wire is exposed.**
6. Thread the wires through the large diameter hole at the bottom of the wall plate (G).
7. Secure nipple (B) and wall plate (G) with lock nut (F).
8. Place fixture firmly against the wall and fasten with threaded cap (C).
9. See instructions following to install glass.

(continued)

Installation Instructions

For Sweeping Taper 20-4529E & 20-4529F

B229

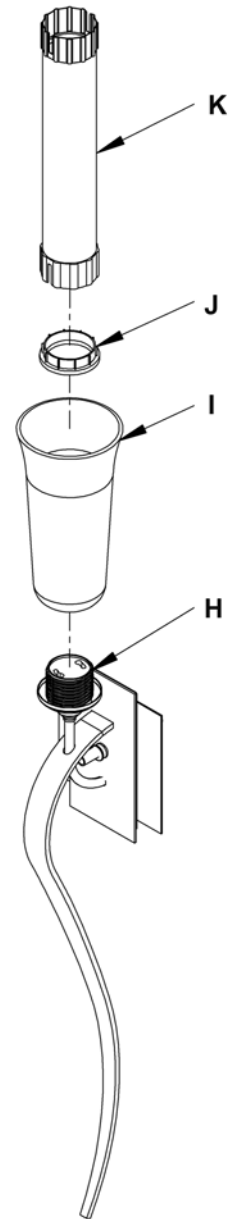
Page 2 of 2

To Install Glass and Bulb (Figure 2)

Component Parts

- H Socket
- I Glass
- J Retaining Ring
- K Socket Tool

1. Remove retaining ring (J) from socket (H). *Retaining Rings are shipped installed.*
2. Slip glass (I) over socket (H).
3. Thread retaining ring (J) onto socket (H) using provided socket tool (K) until it rests on inside of glass (H). *Do not over tighten.*
4. Install light bulb (*included*).
5. Restore electricity at main breaker.



(Figure 2)

If you need further assistance, or find that you are missing any parts, please contact the dealer from which you purchased this product. We hope you enjoy your fixture!

* Hubbardton Forge will not be liable for injury or damage caused by improper installation, lamping or use of this fixture.